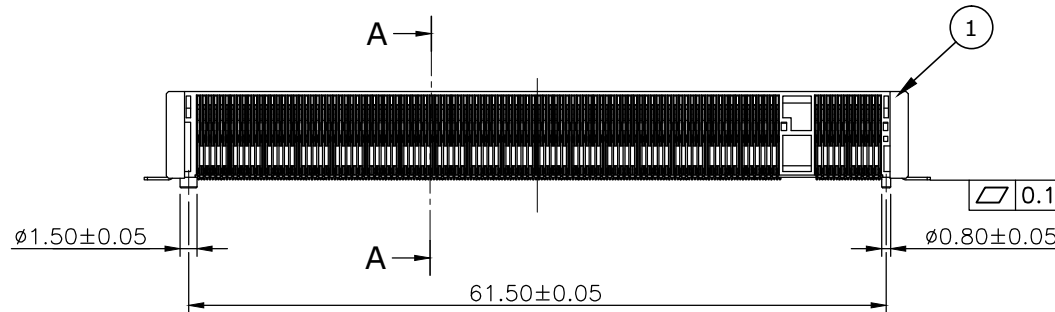
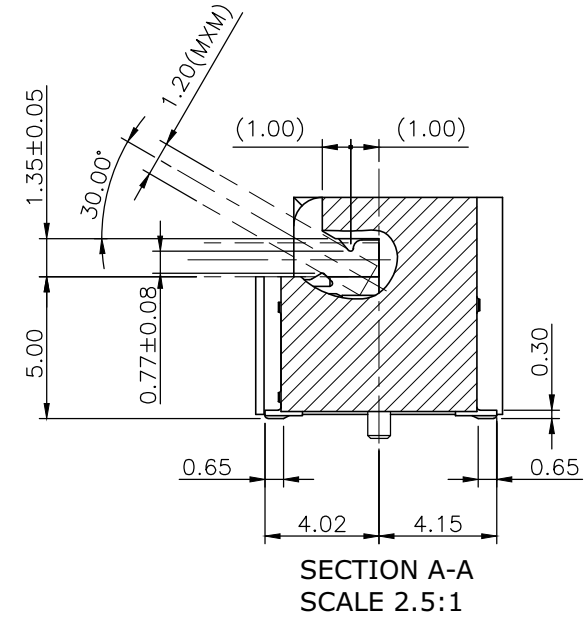
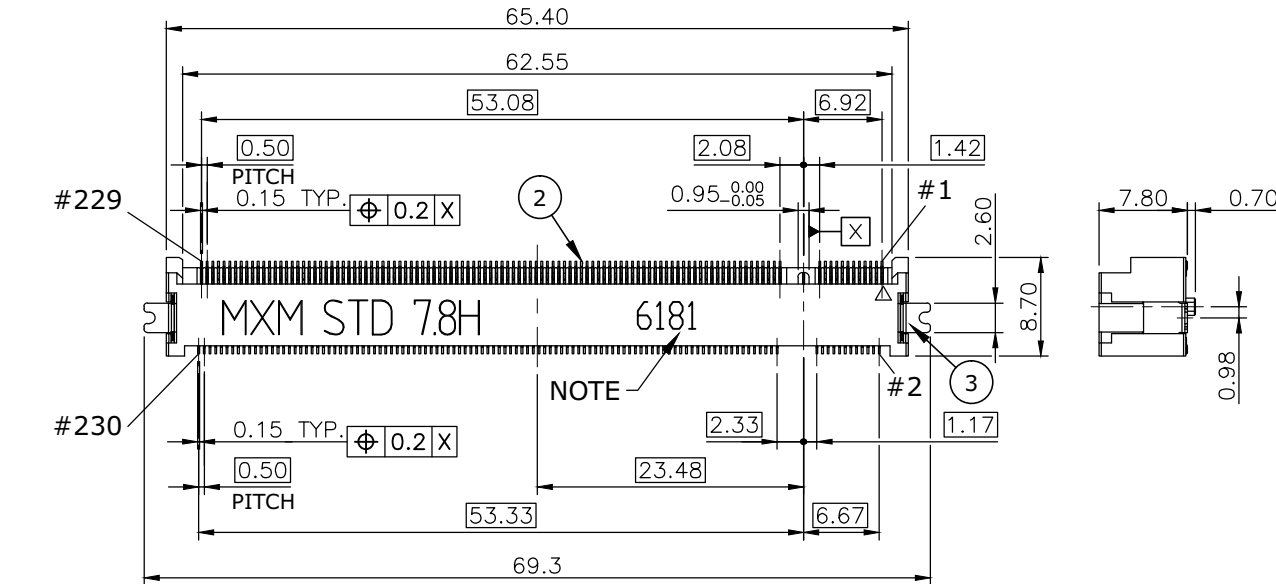


NOTE:  
 DATE CODE:6181 (YWW)  
 Y : YEAR(2016)  
 WW: WEEK (01q 52)  
 D : DAY (1q 7)



3	SOLDERPEG	Copper Alloy,Matte TIN 80u" MIN. Ni Under Plated 60u" MIN.
2	CONTACT	Copper Alloy,Contact: Au Plated 5u" MIN. Ni Under Plated 60u" MIN.
1	HOUSING	LCP, UL94V-0, Black
NO.	PART NAME	DESCRIPTION

RoHS Compliant

TOLERANCES ARE

**MORETHANALL**  
 PCB CONNECTORS  
 Cable ASSEMBLIES  
 煜倫股份有限公司  
 www.morethanall.com

DRAWING BY CY  
 CHECKED BY GENIUS  
 UNIT / mm SCALE 1:1  
 DATE  
 SIZE A4 PPROJECTION

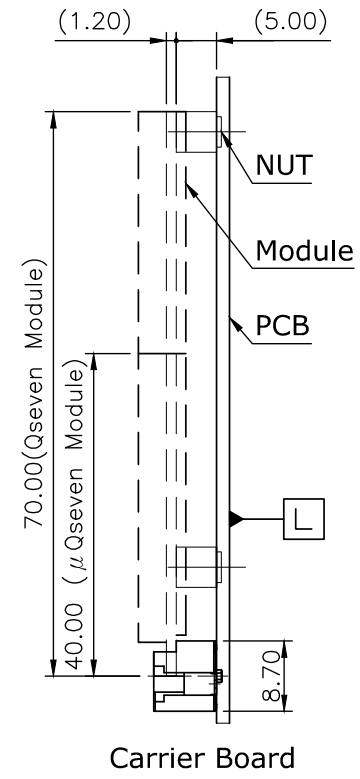
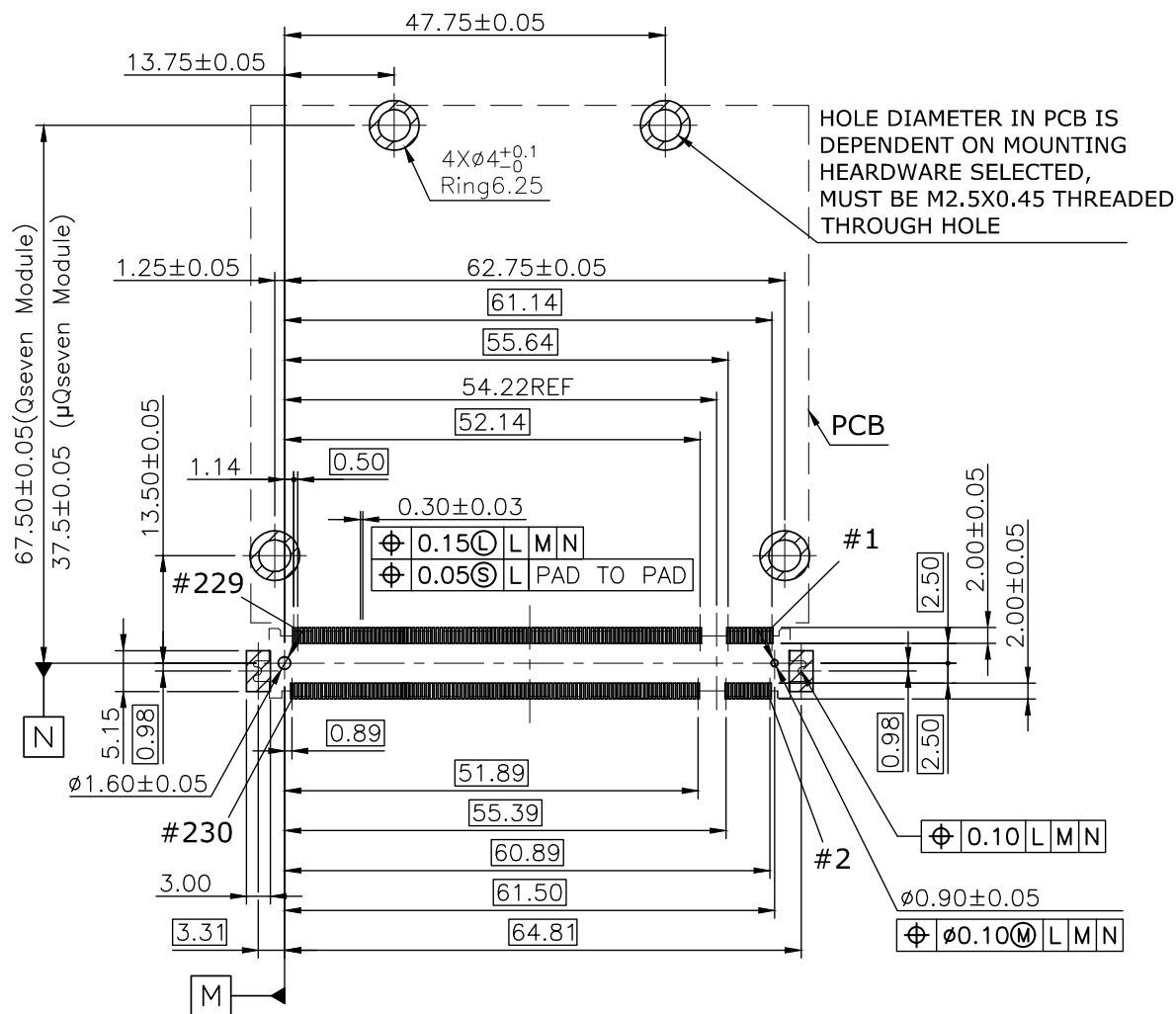
X. ± 0.50  
 .X ± 0.25  
 .XX ± 0.12  
 .XXX ±  
 ANG ±

照片框

ORDER INFORMATION

MXM-W078EP2-024206-LF  
 SERIES LEADFREE  
 230 WAY  
 EAR+POST  
 HIGH 7.8mm  
 90°SMT

DESCRIPTION: MXM 230 pin for Qseven 0.5 Pitch, 7.8H, Standard Type, Reel



RECOMMENDED LAYOUT  
GENERAL TOLERANCE: ±0.05

RoHS Compliant

TOLERANCES ARE



DRAWING BY CY

X. ± 0.50

CHECKED BY GENIUS

.X ± 0.25

UNIT / mm SCALE 1 : 1

.XX ± 0.12

DATE

.XXX ±

ANG ±

SIZE A4

PJECTION

照片框

ORDER INFORMATION

MXM-W078EP2-024206-LF

SERIES | | | | | LEADFREE  
| | | | | 230 WAY  
| | | | | HIGH 7.8mm  
| | | | | 90°SMT

DESCRIPTION: MXM 230 pin for QSeven 0.5 Pitch, 7.8H, Standard Type, Reel

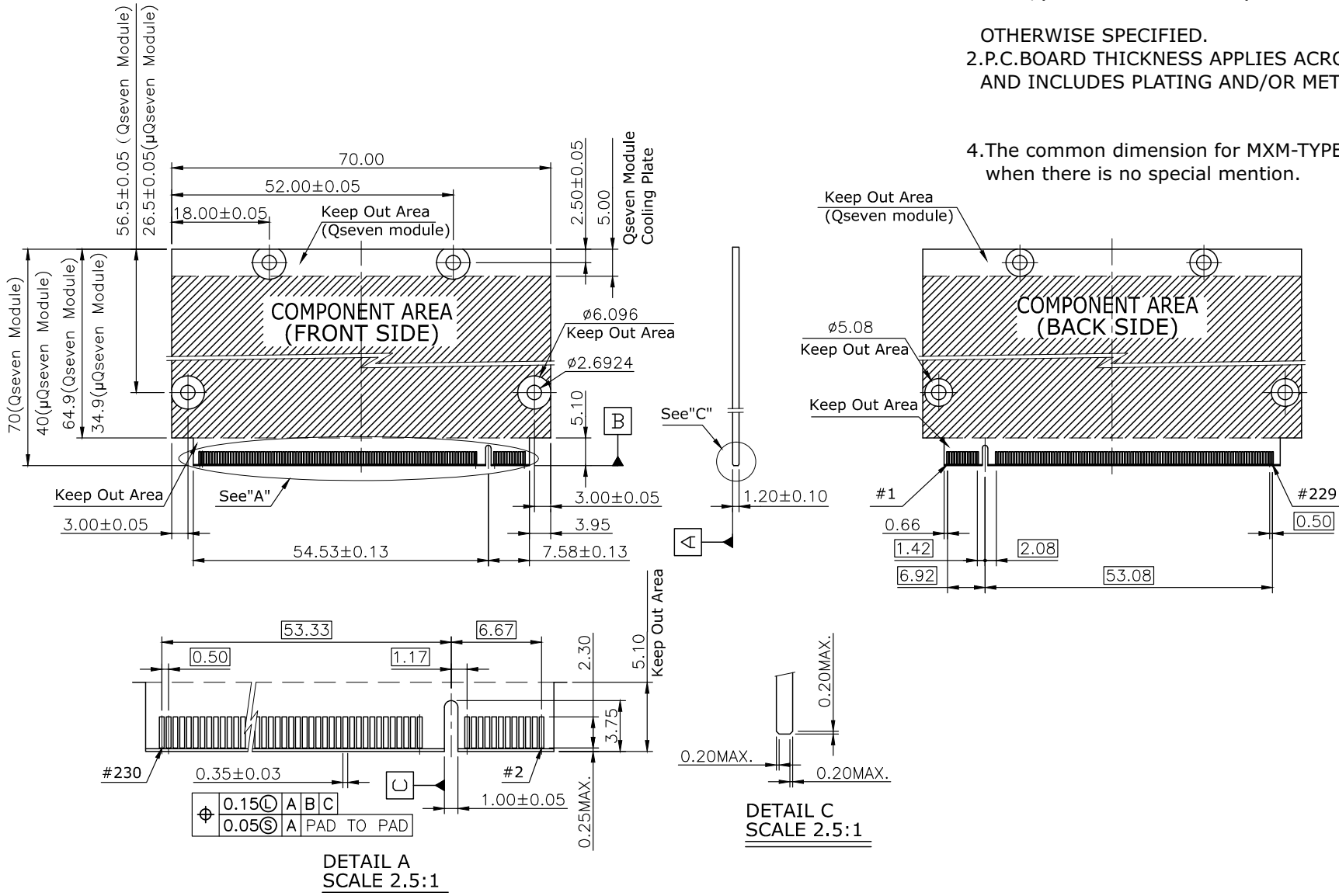
煜倫股份有限公司

www.morethanall.com

NOTES;(APPLIED TO SHEET 3)

OTHERWISE SPECIFIED.  
 2.P.C.BOARD THICKNESS APPLIES ACROSS TABS  
 AND INCLUDES PLATING AND/OR METALIZATION.

4.The common dimension for MXM-TYPE I,II,III  
 when there is no special mention.



RoHS Compliant

TOLERANCES ARE

**MORETHANALL**  
 PCB CONNECTORS  
 Cable ASSEMBLIES

DRAWING BY CY  
 CHECKED BY GENIUS  
 UNIT / mm SCALE 1 : 1  
 DATE

X ± 0.50  
 .X ± 0.25  
 .XX ± 0.12  
 .XXX ±  
 ANG ±

照片框

ORDER INFORMATION

MXM-W078EP2-024206-LF  
 SERIES | LEADFREE  
 | 230 WAY  
 | EAR+POST  
 | HIGH 7.8mm  
 | 90°SMT

DESCRIPTION: MXM 230 pin for Qseven 0.5 Pitch, 7.8H, Standard Type, Reel

煜倫股份有限公司

www.morethanall.com

SIZE A4 PPROJECTION