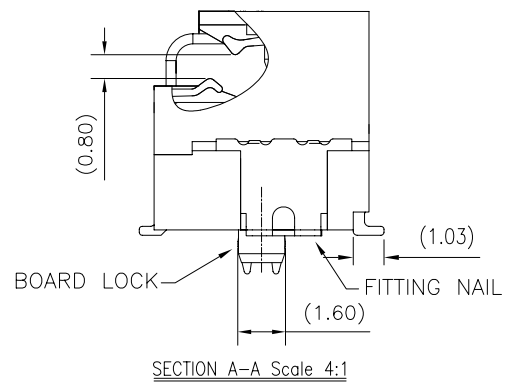
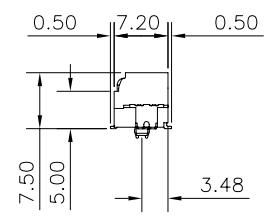
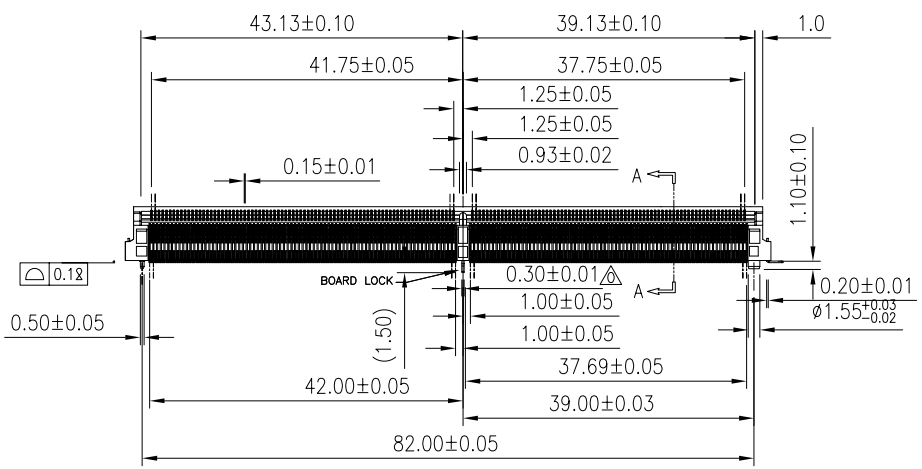


- NOTES:
- MATERIAL:
 - HOUSING: THERMOPLASTIC, HIGH TEMP.,UL94V-0; COLOR:Black.
 - CONTACT: COPPER ALLOY
 - FITTING NAIL: COPPER ALLOY
 - BOARD LOCK: COPPER ALLOY
 - FINISH:
 - CONTACT:
 - PLATING 8:
 - UNDERPLATING: 50u" MIN. NICKEL OVERALL.
 - FINISH:GOLD 3u" MIN. ON CONTACT,GOLD FLASH ON SOLDER TAIL
 - PLATING M:
 - UNDERPLATING: 50u" MIN. NICKEL OVERALL.
 - FINISH:GOLD 3u" ON CONTACT ARER,GOLD 1u" ON SOLDER TAIL
 - FITTING NAIL:
 - UNDERPLATING: 50u" MIN. NICKEL OVERALL.
 - FINISH:100~200u"MATT TIN OVER ALL
 - BOARD LOCK:
 - UNDERPLATING: 50u" MIN. NICKEL OVERALL.
 - FINISH:MATT TIN OVER ALL
 - REFLOW SOLDER CAPABLE TO 260°C
 - ROHS COMPLIANT PRODUCT.
 - THE PCB WARPAGE : 0.05MAX.
 - THE PCB Coplanarity : 0.08MAX.(ex.86.54mm&CONN.LAYOUT AREA),



RoHS Compliant

TOLERANCES ARE

MORETHANALL
PCB CONNECTORS
Cable ASSEMBLIES
煜倫股份有限公司
www.morethanall.com

DRAWING BY CY
CHECKED BY GENIUS
UNIT / mm SCALE 1 : 1
DATE
SIZE A4 PPROJECTION

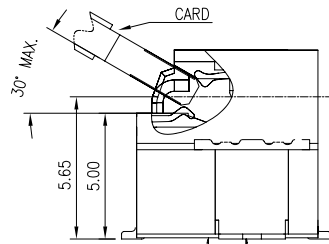
X. ± 0.50
.X ± 0.25
.XX ± 0.15
.XXX ± 0.10
ANG ± 2°

照片框

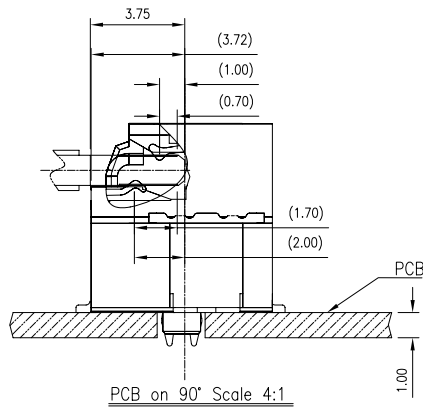
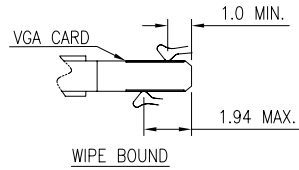
ORDER INFORMATION

MXM-W075EP2R-165149-LF
SERIES REEL EAR+POST HIGH 7.5mm 90°SMT
LEADFREE 314 WAY

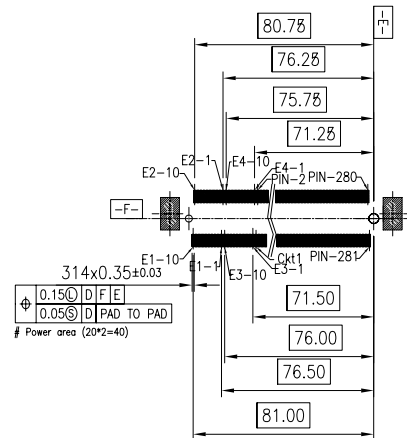
DESCRIPTION: MXM-3 314 PINS 0.5mm PITCH EDGE CARD CONN. SMT D/R R/A STD TYPE H=7.5mm (BTB H=5.0)



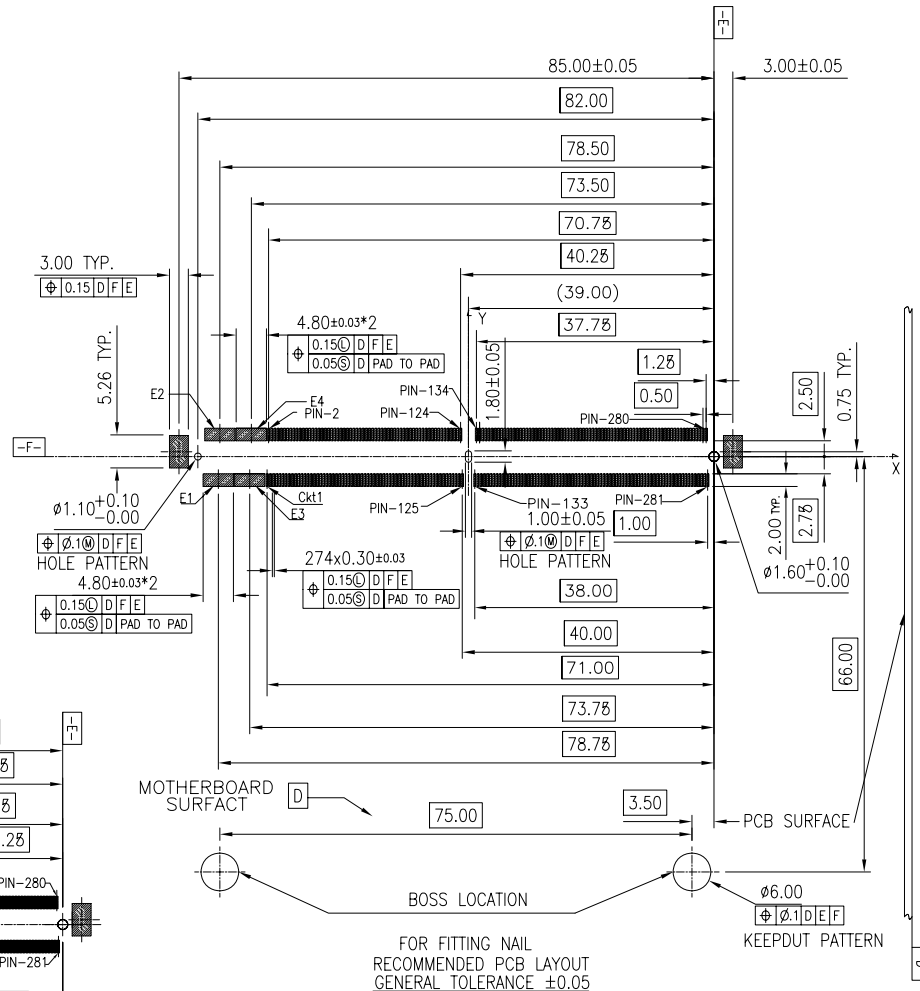
PCB 30° MAX In conn. Scale 4:1



PCB on 90° Scale 4:1



HIGH ELECTRICITY PER PIN LAYOUT



FOR FITTING NAIL
RECOMMENDED PCB LAYOUT
GENERAL TOLERANCE ±0.05

RoHS Compliant

TOLERANCES ARE

MORETHANALL
PCB CONNECTORS
Cable ASSEMBLIES

DRAWING BY CY

X. ± 0.50

CHECKED BY GENIUS

.X ± 0.25

UNIT / mm

SCALE 1 : 1

.XXX ± 0.15

DATE

ANG ± 2°

煜倫股份有限公司

www.morethanall.com

SIZE A4

PJECTION

照片框

ORDER INFORMATION

MXM-W075EP2R-165149-LF

SERIES

LEADFREE

314 WAY

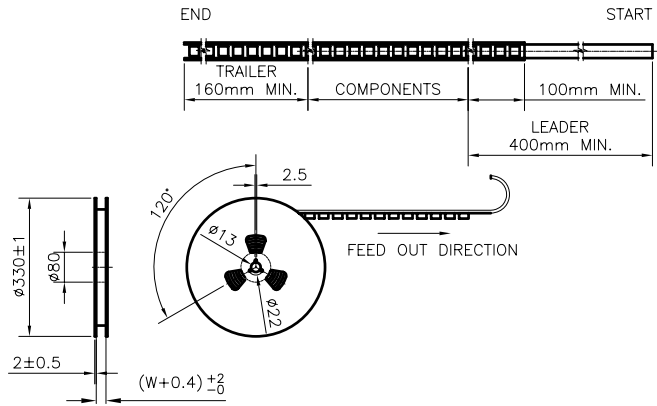
REEL

EAR+POST

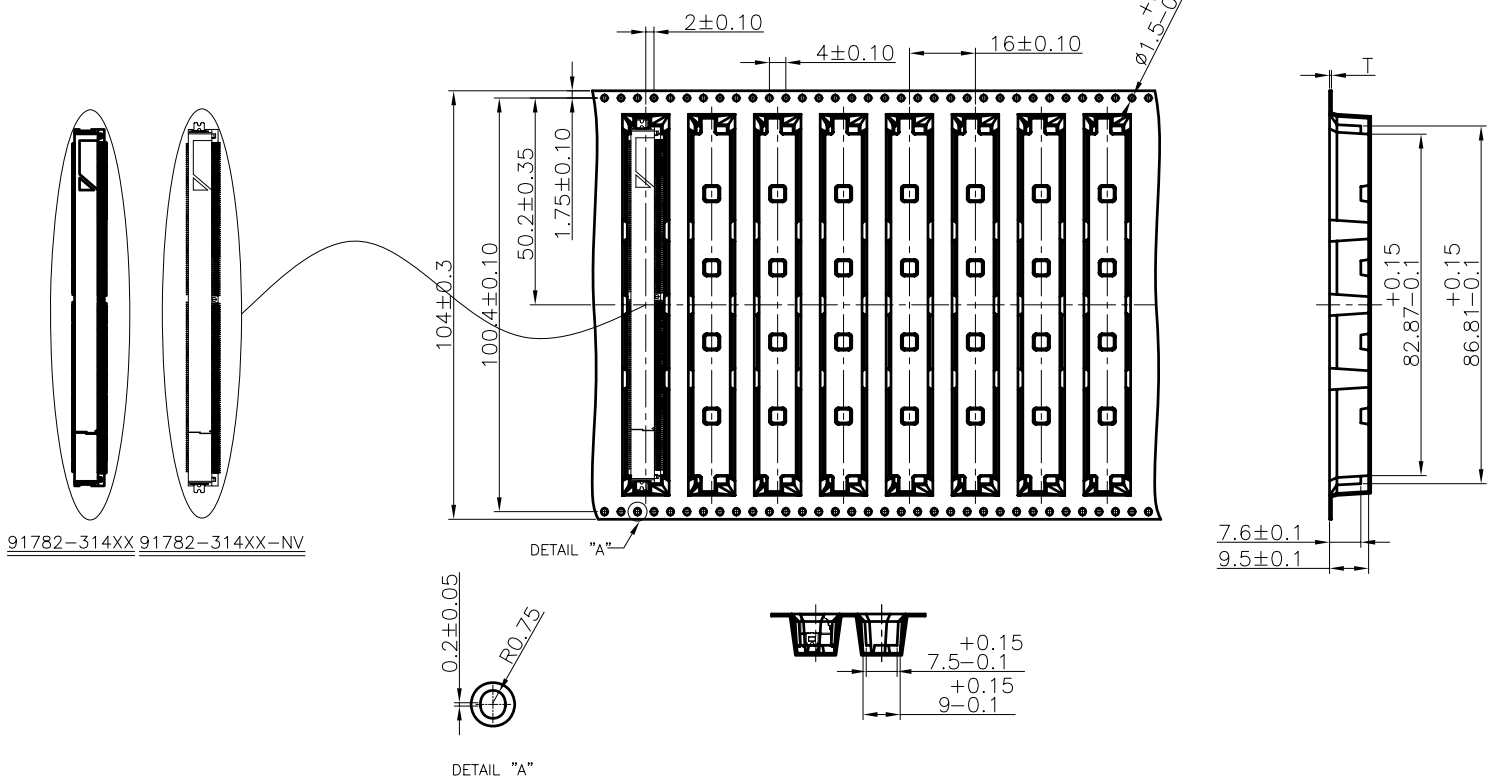
HIGH 7.5mm

90°SMT

DESCRIPTION: MXM-3 314 PINS 0.5mm PITCH EDGE CARD CONN. SMT D/R R/A STD TYPE H=7.5mm (BTB H=5.0)



- NOTES:
1. 10 SPROCKET HOLE PITCH CUMULATIVE TOLERANCE: ±0.20mm
 2. CARRIER CAMBER NOT TO EXCEED 1mm IN 100mm.
 3. ALL DIMENSIONS MEET EIA-481 REQUIREMENTS.
 4. MATERIAL: BLACK ANTI-STATIC POLYSTYRENE.
 5. THICKNESS: 0.5 ± 0.05 mm.
 6. PACKING LENGTH PER 13" REEL : 7.2 METERS.
 7. COMPONENT LOAD PER 13" REEL : 400 PCS.



RoHS Compliant

TOLERANCES ARE

MORETHANALL
PCB CONNECTORS
Cable ASSEMBLIES

DRAWING BY CY

X ± 0.50

CHECKED BY GENIUS

X ± 0.25

UNIT / mm

SCALE 1 : 1

.XX ± 0.15

DATE

.XXX ± 0.10

ANG ± 2°

煜倫股份有限公司

www.morethanall.com

SIZE A4

PJECTION

照片框

ORDER INFORMATION

MXM-W075EP2R-165149-LF

SERIES

REEL

EAR+POST

HIGH 7.5mm

90°SMT

LEADFREE

314 WAY

DESCRIPTION: MXM-3 314 PINS 0.5mm PITCH EDGE CARD CONN. SMT D/R R/A STD TYPE H=7.5mm (BTB H=5.0)