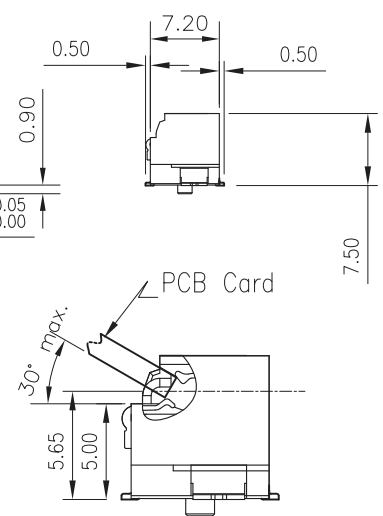
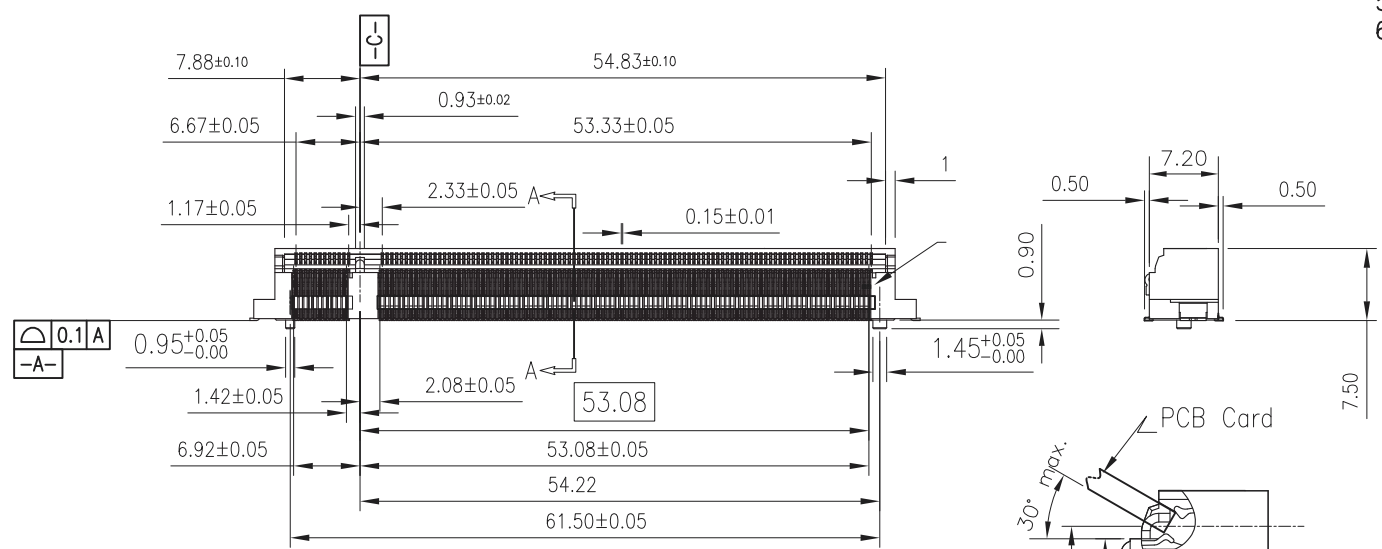


- NOTES:
- MATERIAL:
 - HOUSING: THERMOPLASTIC, HIGH TEMP., UL94V-0; COLOR:NATURAL OR BLACK.
 - CONTACT: COPPER ALLOY
 - FITTING NAIL:COPPER ALLOY
 - FINISH:
 - CONTACT:
 - UNDERPLATING: 50u" MIN. NICKEL OVERALL.
 - FINISH:GOLD FLASH PLATING
 - GOLD 3u" MIN. ON CONTACT
 - FITTING NAIL:
 - UNDERPLATING: 50u" MIN. NICKEL OVERALL.
 - FINISH:GOLD FLASH PLATING
 - REFLOW SOLDER CAPABLE TO 260°C
 - ROHS COMPLIANT PRODUCT.
 - COPLANARITY 0.1 MM MAX. BASE ON DATUM A
 - TRUE POSITION 0.1 MM MAX. BAES ON DATUM B



Section A-A Scale 2:1

RoHS Compliant

TOLERANCES ARE



DRAWING BY CY		X. ± 0.50
CHECKED BY GENIUS		.X ± 0.25
UNIT / mm	SCALE 1 : 1	.XX ± 0.15
DATE		.XXX ± 0.10
		ANG ±

煜倫股份有限公司

www.morethanall.com

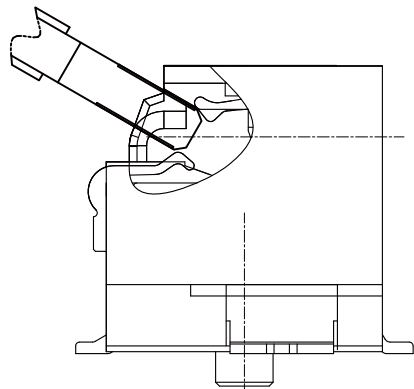
SIZE A4 PPROJECTION



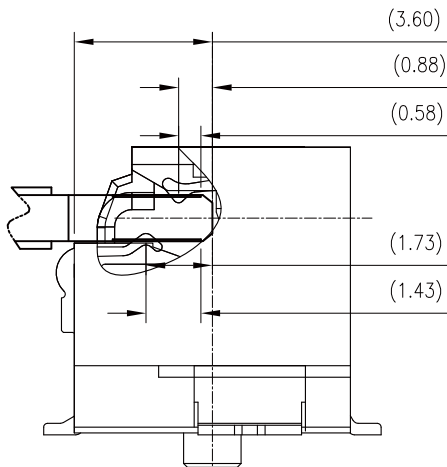
ORDER INFORMATION

MXM-W075EP2R-024206-LF			
SERIES	REEL	230 WAY	LEADFREE
	EAR+POST		
	HIGH 7.5mm		
	90°SMT		

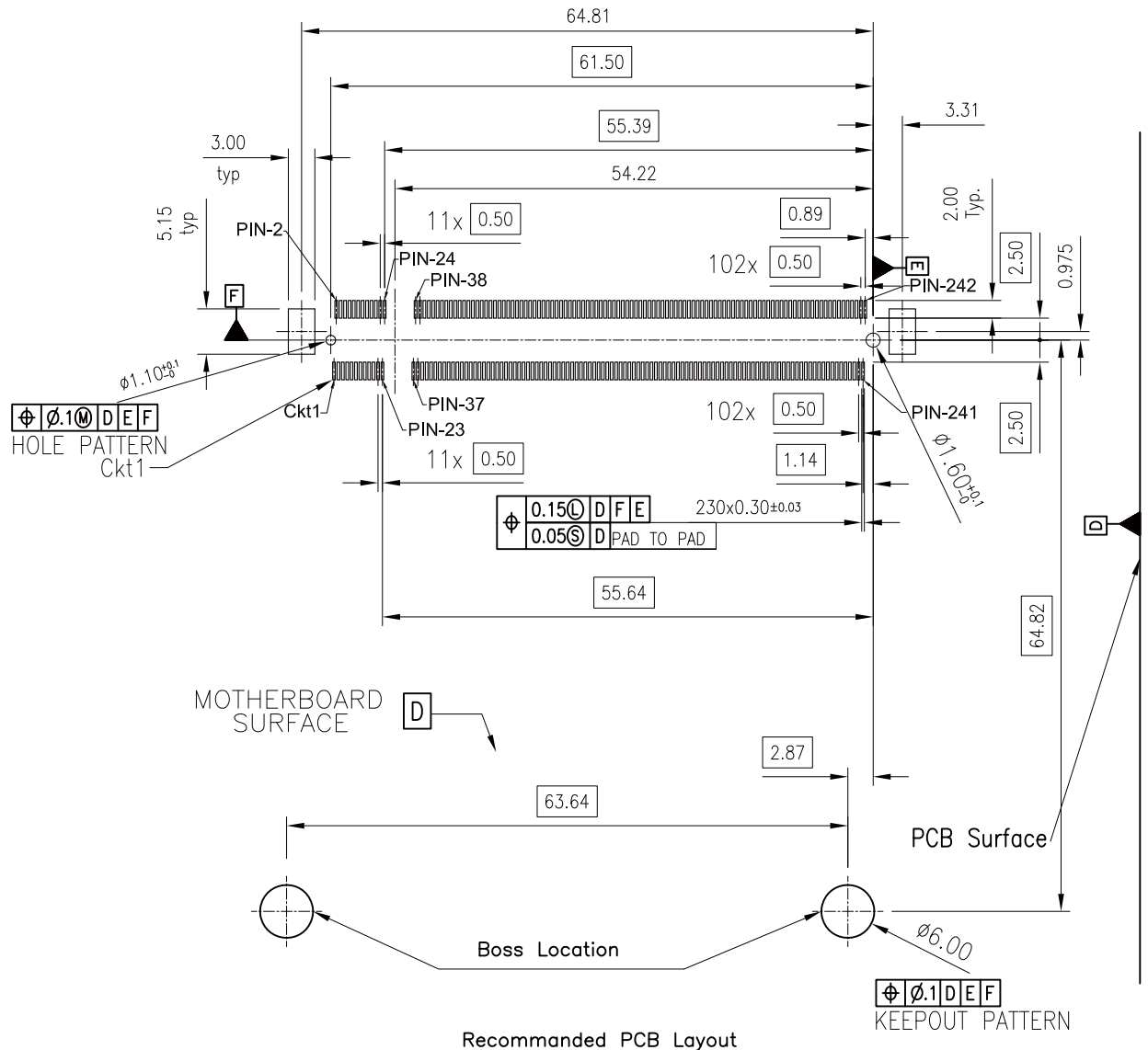
DESCRIPTION: MXM 230 pins 0.5mm pitch Edge Card Conn. R/A D/R STD H=7.5mm (B/B H=5.0mm)



PCB 30° in conn. Scale 2:1



PCB on 90° Scale 2:1



Recommended PCB Layout

RoHS Compliant

TOLERANCES ARE

MORETHANALL
PCB CONNECTORS
Cable ASSEMBLIES
煜倫股份有限公司
www.morethanall.com

DRAWING BY CY		X. ± 0.50 .X ± 0.25 .XX ± 0.15 .XXX ± 0.10 ANG ±
CHECKED BY GENIUS		
UNIT / mm	SCALE 1 : 1	
DATE		
SIZE A4	PJECTION	

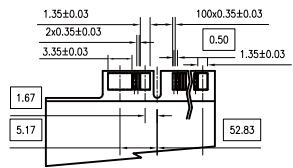


ORDER INFORMATION

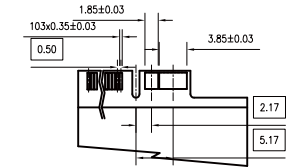
MXM-W075EP2R-024206-LF

SERIES	REEL	LEADFREE
	EAR+POST	230 WAY
	HIGH 7.5mm	
	90°SMT	

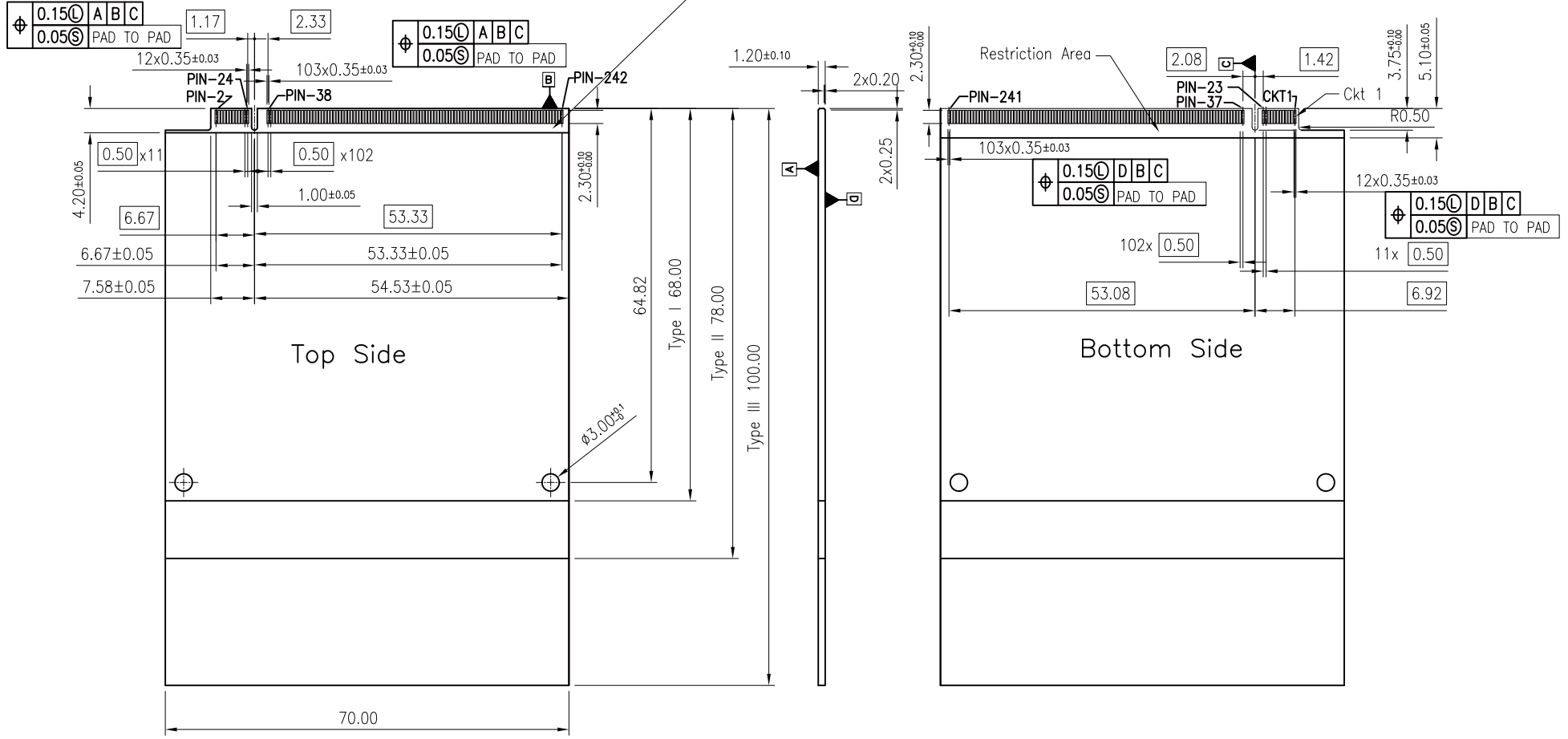
DESCRIPTION:



Top Side Option one Pad



Bottom Side Option one Pad



Type A Application Card PCB Layout

RoHS Compliant

TOLERANCES ARE

MORETHANALL
PCB CONNECTORS
Cable ASSEMBLIES
煜倫股份有限公司

DRAWING BY CY
CHECKED BY GENIUS
UNIT / mm SCALE 1 : 1
DATE
SIZE A4

X. ± 0.50
.X ± 0.25
.XX ± 0.15
.XXX ± 0.10
ANG ±

PJECTION

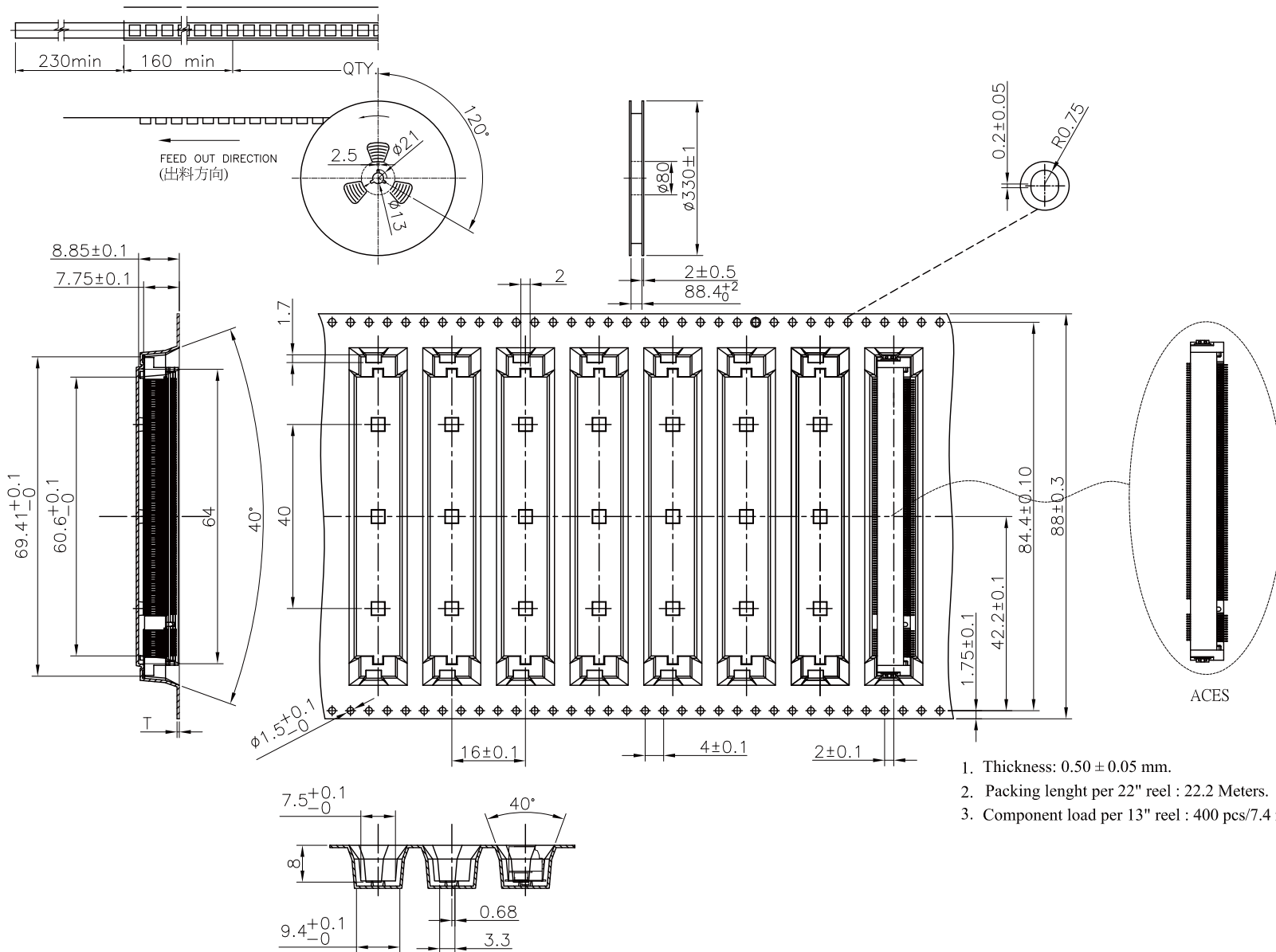


ORDER INFORMATION

MXM-W075EP2R-024206-LF
SERIES REEL LEADFREE
230 WAY
EAR+POST
HIGH 7.5mm
90°SMT

DESCRIPTION:

www.morethanall.com



RoHS Compliant

TOLERANCES ARE

MORETHANALL
PCB CONNECTORS
Cable ASSEMBLIES

DRAWING BY CY

X. ± 0.50

CHECKED BY GENIUS

.X ± 0.25

UNIT / mm

SCALE 1 : 1

.XX ± 0.15

DATE

.XXX ± 0.10

ANG ±

SIZE A4

PPOJECTION

照片框

ORDER INFORMATION

MXM-W075EP2R-024206-LF

SERIES

LEADFREE

REEL

230 WAY

EAR+POST

HIGH 7.5mm

90°SMT

DESCRIPTION:

煜倫股份有限公司

www.morethanall.com