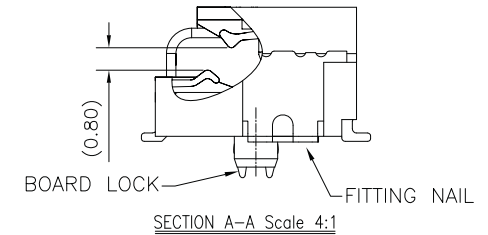
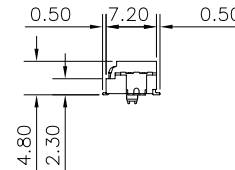
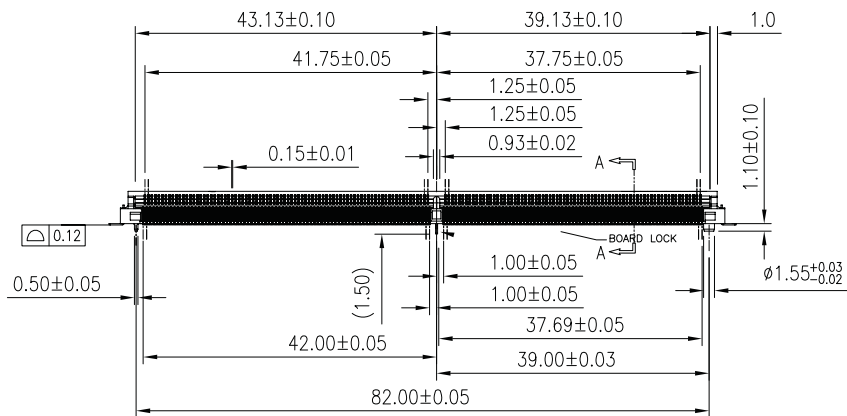


- NOTES:
- MATERIAL:
 - HOUSING: THERMOPLASTIC, HIGH TEMP., UL94V-0; COLOR:Black
 - CONTACT: COPPER ALLOY
 - FITTING NAIL: COPPER ALLOY
 - BOARD LOCK: COPPER ALLOY
 - FINISH:
 - CONTACT:
 - UNDERPLATING: 50u" MIN. NICKEL OVERALL.
 - FINISH:GOLD 3u" MIN. ON CONTACT,GOLD FLASH ON SOLDER TAIL
 - FITTING NAIL:
 - UNDERPLATING: 50u" MIN. NICKEL OVERALL.
 - FINISH:100~200u" MATT TIN OVER ALL
 - BOARD LOCK:
 - UNDERPLATING: 50u" MIN. NICKEL OVERALL.
 - FINISH:MATT TIN OVER ALL
 - REFLOW SOLDER CAPABLE TO 260°C
 - ROHS COMPLIANT PRODUCT.
 - THE PCB WARPAGE : 0.05MAX.
 - THE PCB Coplanarity : 0.08MAX.(ex.86.54mm&CONN.LAYOUT AREA),



RoHS Compliant

TOLERANCES ARE

MORETHANALL
PCB CONNECTORS
Cable ASSEMBLIES

DRAWING BY CY

X. ± 0.50

CHECKED BY GENIUS

.X ± 0.25

UNIT / mm

SCALE 1 : 1

.XX ± 0.15

DATE

.XXX ± 0.10

ANG ±

SIZE A4

PJECTION

照片框

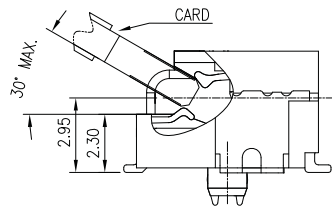
ORDER INFORMATION

MXM-W048EP2R-165149-LF
SERIES REEL LEADFREE
314WAY
EAR+POST
HIGH 4.8mm
90°SMT

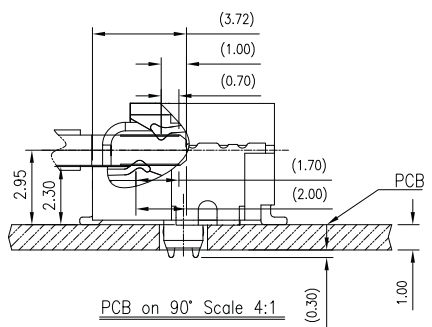
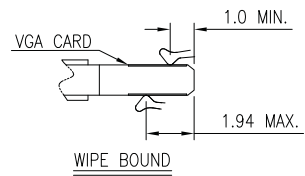
DESCRIPTION: MXM-3 314 PINS 0.5mm PITCH EDGE CARD CONN. SMT D/R R/A STD TYPE H=4.8mm (BTB H=2.3)

煜倫股份有限公司

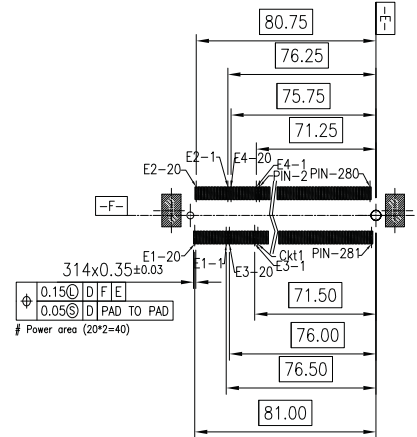
www.morethanall.com



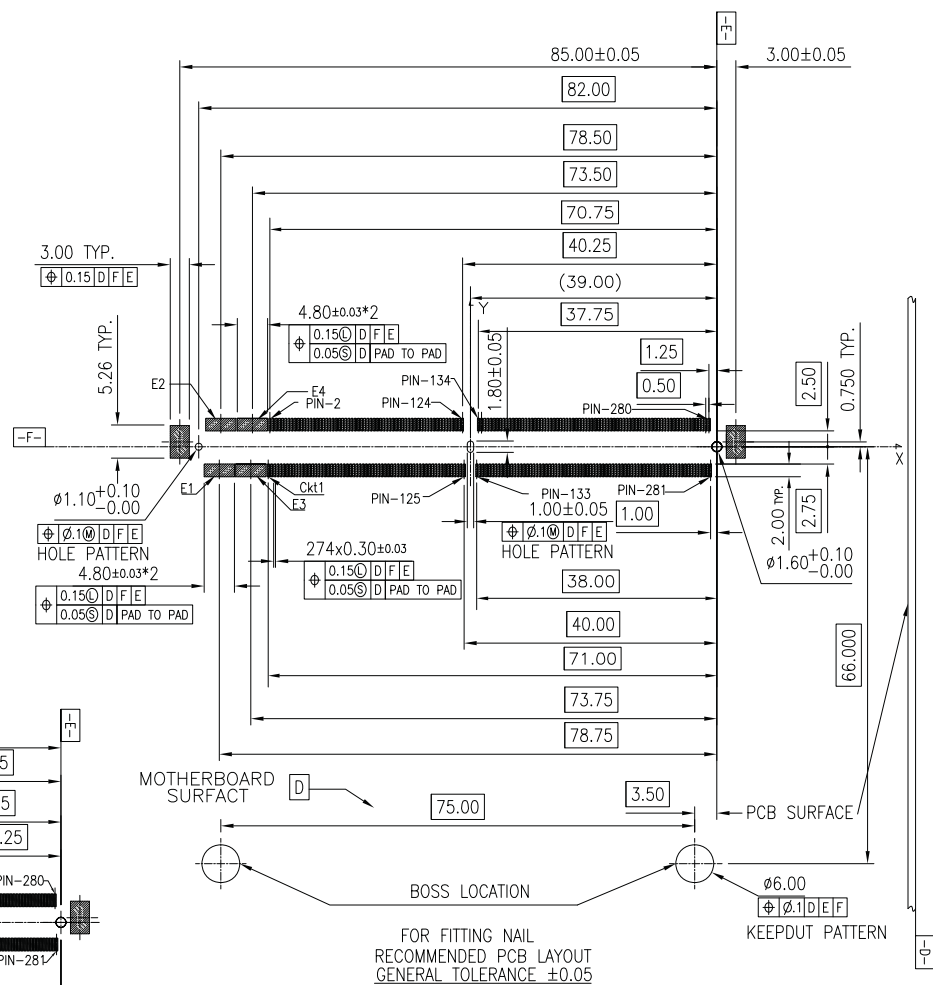
PCB 30° MAX In conn. Scale 4:1



PCB on 90° Scale 4:1



HIGH ELECTRICITY PER PIN LAYOUT



FOR FITTING NAIL
RECOMMENDED PCB LAYOUT
GENERAL TOLERANCE ±0.05

RoHS Compliant

TOLERANCES ARE

MORETHANALL
PCB CONNECTORS
Cable ASSEMBLIES

DRAWING BY CY

X. ± 0.50

CHECKED BY GENIUS

.X ± 0.25

UNIT / mm

SCALE 1 : 1

.XX ± 0.15

DATE

.XXX ± 0.10

ANG ±

煜倫股份有限公司

www.morethanall.com

SIZE A4

PJECTION

照片框

ORDER INFORMATION

MXM-W048EP2R-165149-LF

SERIES

|

|

|

|

|

|

|

LEADFREE

314WAY

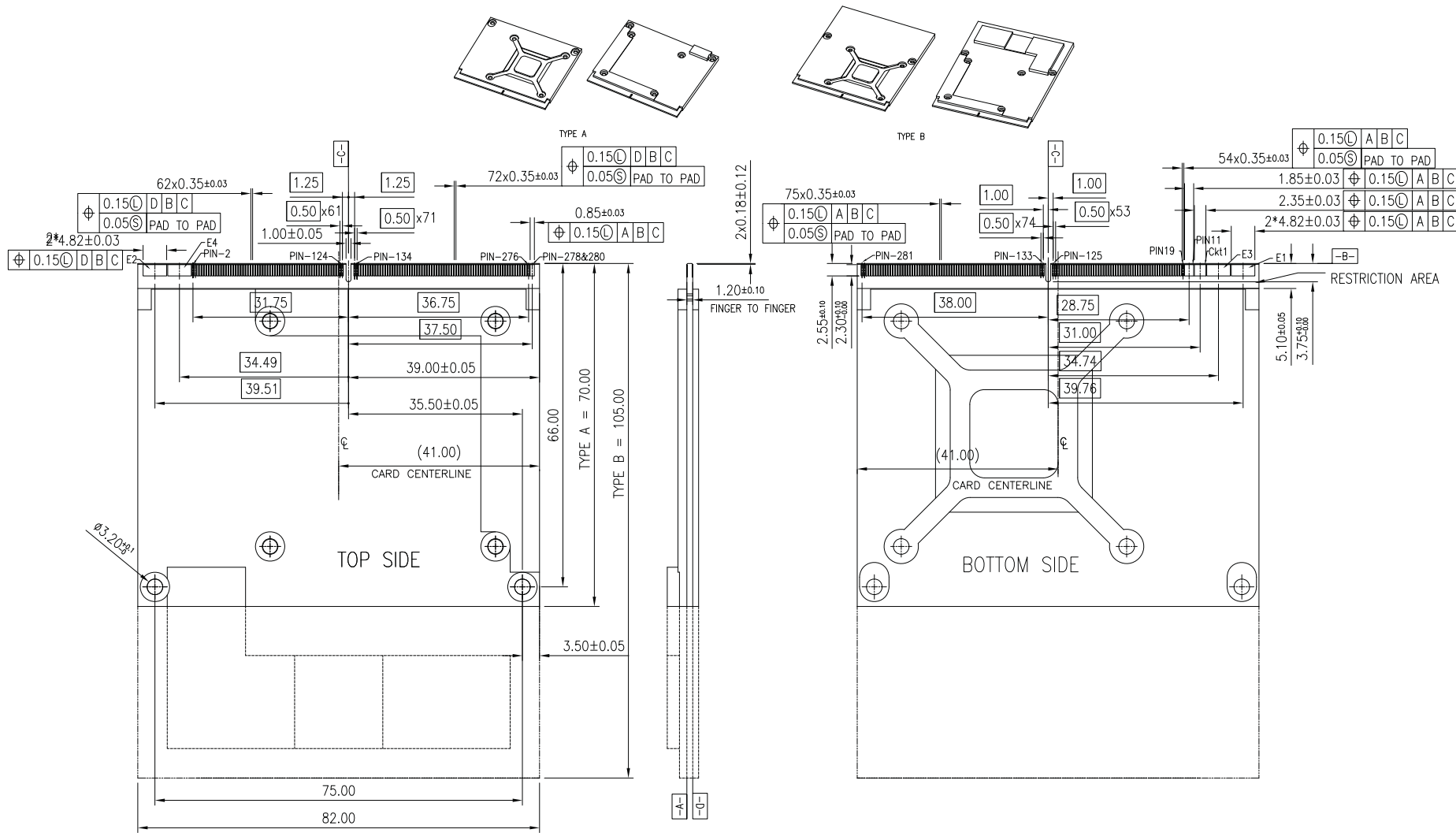
REEL

EAR+POST

HIGH 4.8mm

90°SMT

DESCRIPTION: MXM-3 314 PINS 0.5mm PITCH EDGE CARD CONN. SMT D/R R/A STD TYPE H=4.8mm (BTB H=2.3)



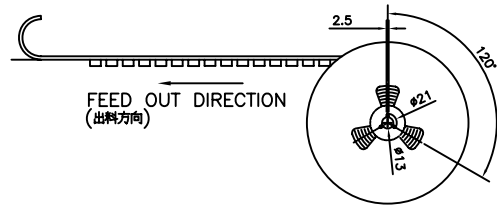
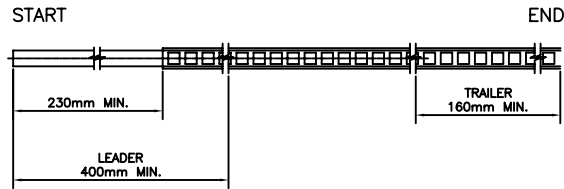
MXM-3 314PIN GOLD FINGER
 MXM-3 MAX 321 CONTACT LOCATION
 314 USEABLE (7 LOST TO KEY)



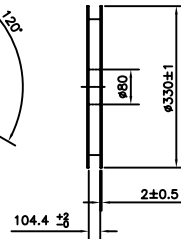
RoHS Compliant		TOLERANCES ARE	
DRAWING BY CY		X. ± 0.50	
CHECKED BY GENIUS		.X ± 0.25	
UNIT / mm	SCALE 1 : 1	.XX ± 0.15	
DATE		.XXX ± 0.10	
		ANG ±	
SIZE A4	PJECTION		

ORDER INFORMATION			
MXM-W048EP2R-165149-LF			
SERIES	REEL	LEADFREE	314WAY
	EAR+POST		
	HIGH 4.8mm		
	90°SMT		
DESCRIPTION: MXM-3 314 PINS 0.5mm PITCH EDGE CARD CONN. SMT D/R R/A STD TYPE H=4.8mm (BTB H=2.3)			

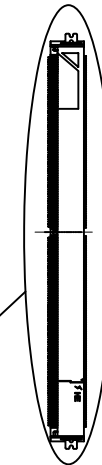
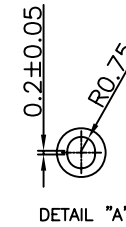
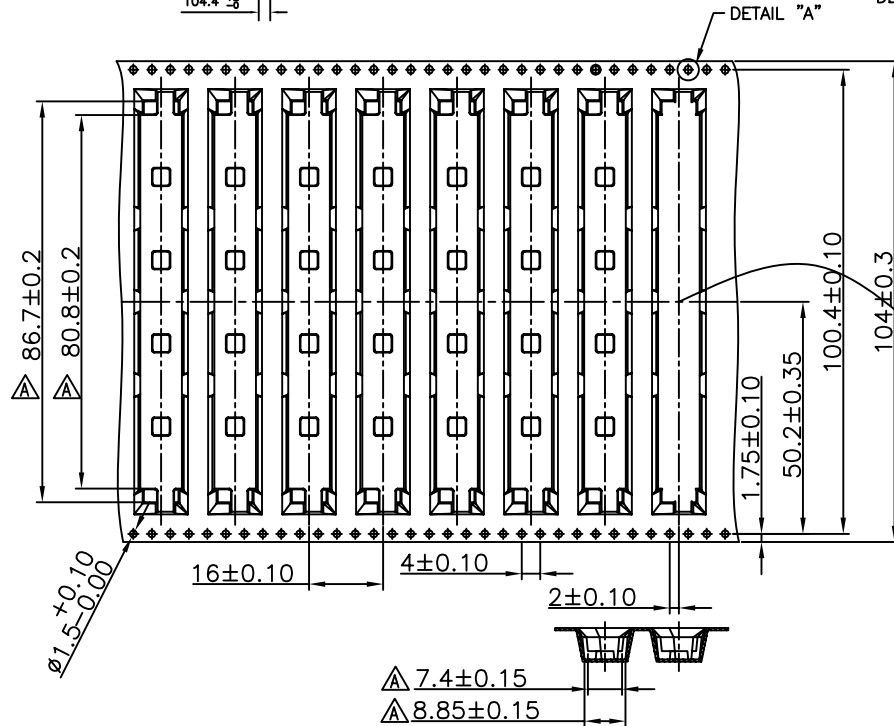
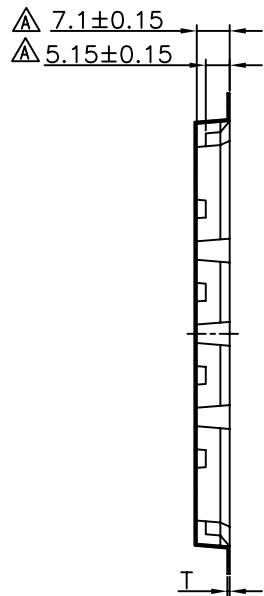
MORETHANALL
 PCB CONNECTORS
 Cable ASSEMBLIES
 煜倫股份有限公司
 www.morethanall.com



FEED OUT DIRECTION
(出料方向)



- NOTES:
1. 10 SPROCKET HOLE PITCH CUMULATIVE TOLERANCE: ±0.20mm
 2. CARRIER CAMBER NOT TO EXCEED 1mm IN 100mm.
 3. ALL DIMENSIONS MEET EIA-481-C REQUIREMENTS.
 4. MATERIAL: BLACK ANTI-STATIC POLYSTYRENE.
 5. THICKNESS: 0.5 ± 0.05 mm.
 6. PACKING LENGTH PER 13" REEL : 9.0 METERS.
 7. COMPONENT LOAD PER 13" REEL : 500 PCS.
 8. 成品擺放方向應同向



MORETHANALL
PCB CONNECTORS
Cable ASSEMBLIES

煜倫股份有限公司

www.morethanall.com

RoHS Compliant

DRAWING BY CY
CHECKED BY GENIUS
UNIT / mm SCALE 1 : 1
DATE
SIZE A4

TOLERANCES ARE

X. ± 0.50
.X ± 0.25
.XX ± 0.15
.XXX ± 0.10
ANG ±

PJECTION

照片框

ORDER INFORMATION

MXM-W048EP2R-165149-LF
SERIES REEL LEADFREE
314WAY
EAR+POST
HIGH 4.8mm
90°SMT

DESCRIPTION: EMBOSSED TAPE PACKING