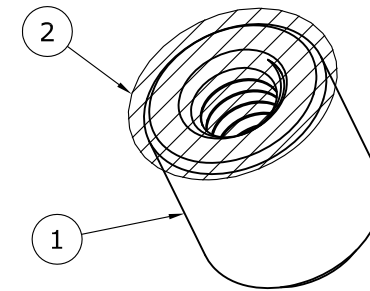
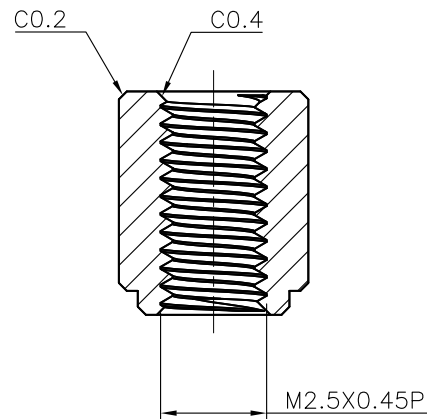
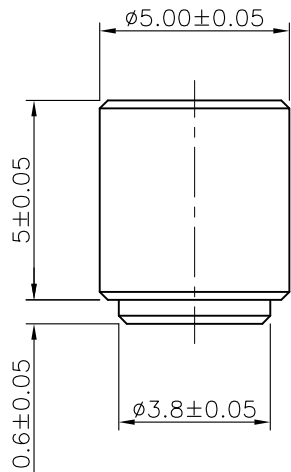


Recommended Layout (top view)
General Tolerance: $\pm 0.05\text{mm}$



2	MYLAR	0.1t
1	NUT	Low Lead Brass, Tin Plating
NO.	PART NAME	DESCRIPTION

RoHS Compliant

TOLERANCES ARE

MORETHANALL
PCB CONNECTORS
Cable ASSEMBLIES

DRAWING BY CY

X. ± 0.50

CHECKED BY GENIUS

.X ± 0.25

UNIT / mm

SCALE 1 : 1

.XX ± 0.12

DATE

.XXX \pm

ANG \pm

照片框

ORDER INFORMATION

MXM-LSN78C-024206-LF

SERIES

LEADFREE

230 WAY

MYLAR
7.8mm HIGH

NUT
LATCH SCREW

煜倫股份有限公司

www.morethanall.com

SIZE A4

PPOJECTION

DESCRIPTION: Nut, M2.5x0.45P