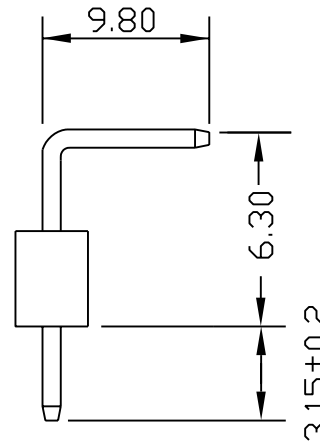
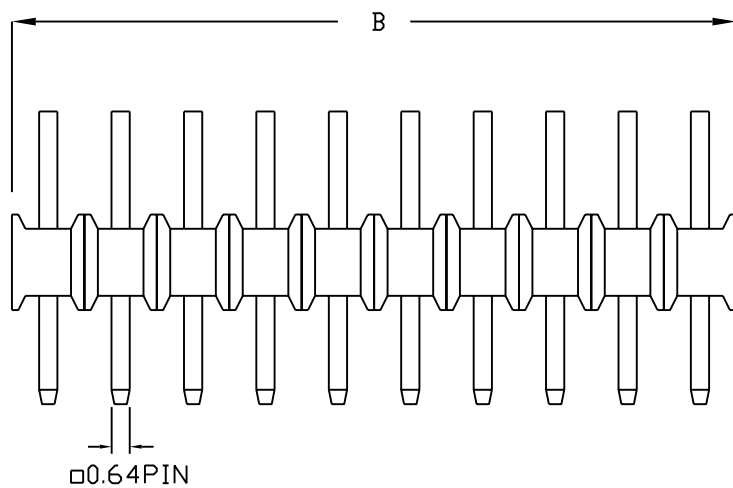
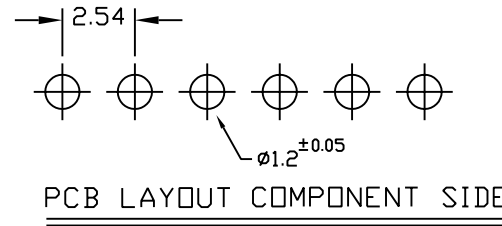
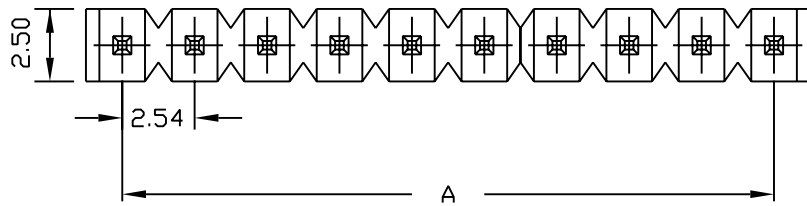


SPECIFICATIONS

Pitch: 2.54mm  
 Current rating : 3A AC,DC  
 Voltage rating : 250V AC,DC  
 Temperature range:-25°C ~+85°C  
 Insulation resistance : 1000M  
 Withstanding voltage : 1000V ac



Poles	Dimension	
	A	B
2	2.54	5.08
3	5.08	7.62
4	7.62	10.16
5	10.16	12.70
6	12.70	15.24
7	15.24	17.78
8	17.78	20.32
9	20.32	22.86
10	22.86	25.40
11	25.40	27.94
12	27.94	30.48
13	30.48	33.02
14	33.02	35.56
15	35.56	38.10
16	38.10	40.64
17	40.64	43.18
18	43.18	45.72
19	45.72	48.26
20	48.26	50.80

RoHS Compliant

TOLERANCES ARE

**MORETHANALL**  
 PCB CONNECTORS  
 Cable ASSEMBLIES

煜倫股份有限公司

www.morethanall.com

DRAWING BY CY

CHECKED BY GENIUS

UNIT / mm

SCALE 1 : 1

DATE

SIZE A4

X. ±  
 .X ±  
 .XX ±  
 .XXX ±  
 ANG ±

P PROJECTION

照片框

ORDER INFORMATION

MX-R-xx-LF  
 SERIES | LEADFREE  
 02-20WAY  
 DIP 90°

DESCRIPTION: