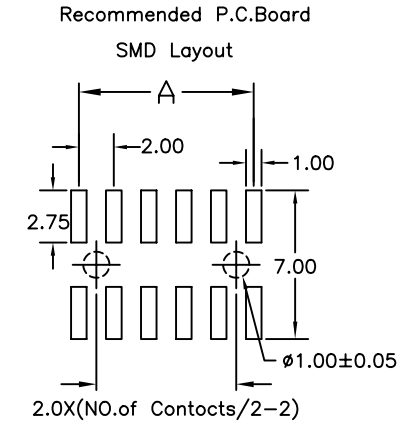
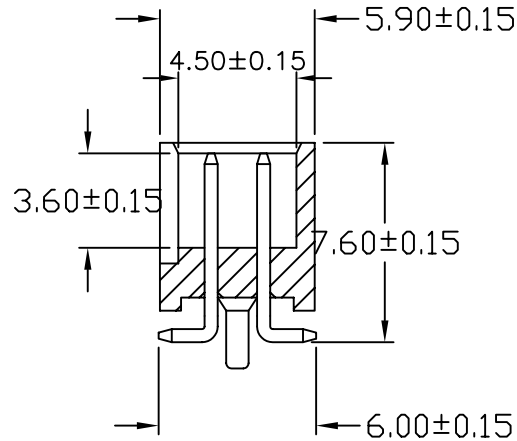
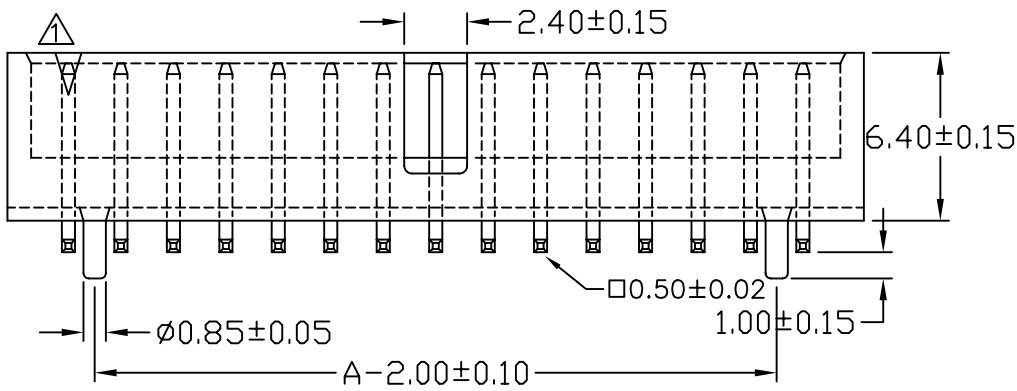


No. of Contacts	DIMENSIONS			REMARK (ウエチ)
	A	B	C	
10	8.00	12.65	10.85	○
12	10.00	14.65	12.85	○
20	18.00	22.65	20.85	○
24	22.00	26.65	24.85	○
26	24.00	28.65	26.85	
30	28.00	32.65	30.85	○
32	30.00	34.65	32.85	○
34	32.00	36.65	34.85	○
40	38.00	42.65	40.85	○
44	42.00	46.65	44.85	○
50	48.00	52.65	50.85	○
60	58.00	62.65	60.85	
64	62.00	66.65	64.85	

SPECIFICATIONS

Current Rating: 1 Amp
 Insulator resistance: 5000 Megohms min.
 Contact resistance: 20 m ohm Max.
 Dielectric withstanding: AC 500 V
 Operating Temperature: -40° - +105°C
 Contact Material: Copper Alloy
 Insulator Material: High Temperature Thermoplastic, UL 94V-0

Finish: Gold plated
 ◎Standard: Gold flash all over



MORETHANALL
 CONNECTORS
 ASSEMBLIES

焜倫有限公司

PART NO. MVK-VP-2Xxx
 DWG NO. MVK-VP-2Xxx
 FILE NO.
 UNIT / mm SCALE 1:1

APPROVED BY CY
 DRAWING BY
 PROJECTION

TOLERANCES ARE
 .X
 .XX
 .XXX
 AWG

DESCRIPTION: 2.0mm SMD BOX HEADER

AREA	REVISIONS	HK	DATE
------	-----------	----	------