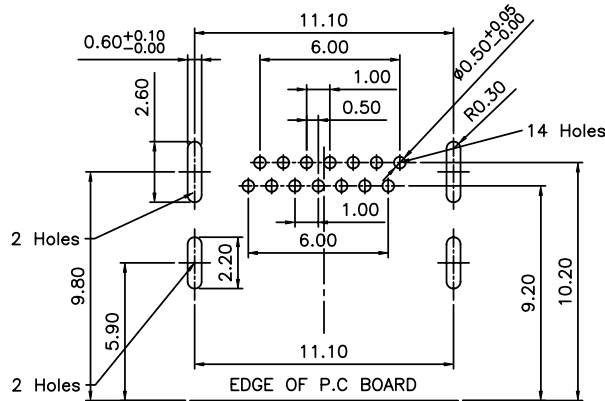
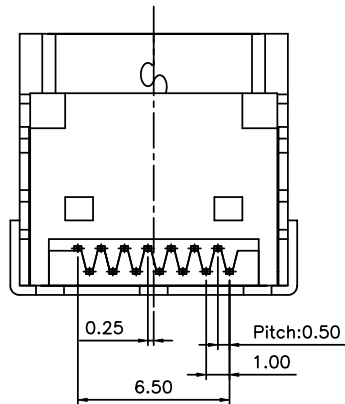
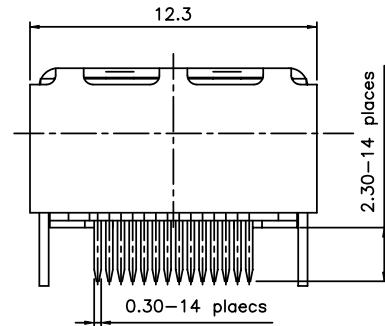
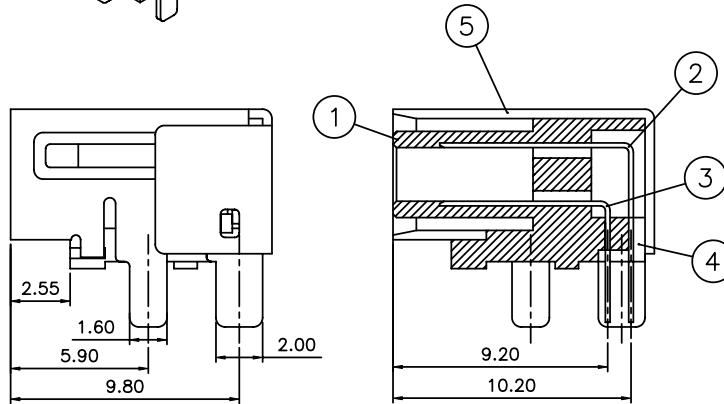
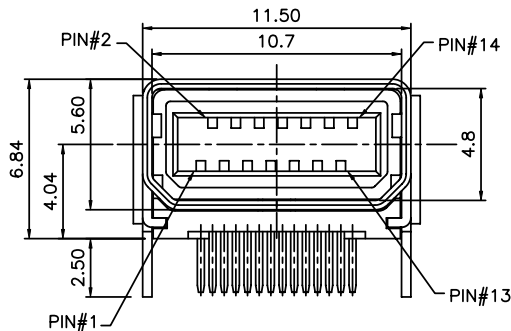


ITEM 項目	PARTS NAME 零件名稱	Q'TY 數量	MATERIAL 材質	FINISH/REMARK 處理/備註
1	HOUSING	1	LCP	UL-94V-0(Black)
2	CONTACT-L	7	COPPER ALLOY	Gold flash selective lead free
3	CONTACT-S	7	COPPER ALLOY	Gold flash selective lead free
4	BASE	1	SYNTHETIC RESIN	UL-94V-0(Black)
5	SHELL	1	COPPER ALLOY	Tin alloy plated lead free



P.C BOARD LAYOUT (TOLERANCE: ±0.1mm)  
AS VIEW FORM COMPONENT SIDE

SPECIFICATION

MATERIAL

See drawing

STANDARD DATA

Rating current:0.5A

Operating temperature: -30°C ~ +60°C

Storage temperature: -40°C ~ +85°C

ELECTRICAL

Insulator resistance: 1000M ohms Min. @ 250 VDC

Withstanding voltage: 100 VAC / minute

Contact resistance: 60 m ohms Max.

RoHS Compliant



煜倫股份有限公司

www.morethanall.com

DRAWING BY CY

CHECKED BY GENIUS

UNIT / mm

SCALE 1 : 1

DATE

SIZE A4

TOLERANCES ARE

X. ± 0.50

.X ± 0.30

.XX ± 0.20

.XXX ±

ANG ± 5°

PJECTION



ORDER INFORMATION

MVGA-SRMR-14-LF

SERIES | | | | LEADFREE

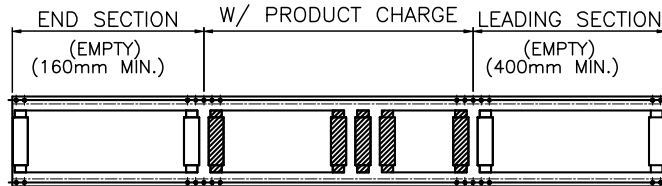
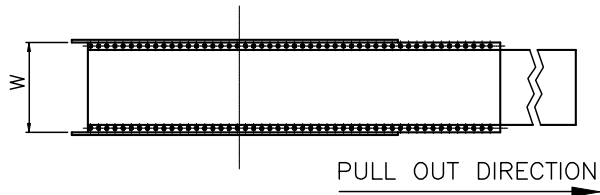
| | | | 14WAY

| | | | REEL

FEMALE | | | | METAL FOOT

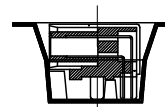
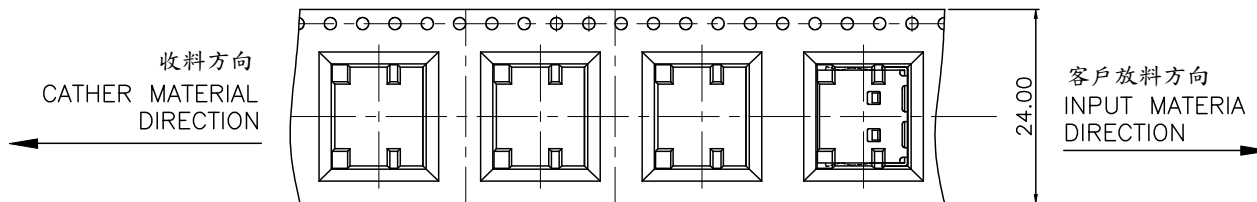
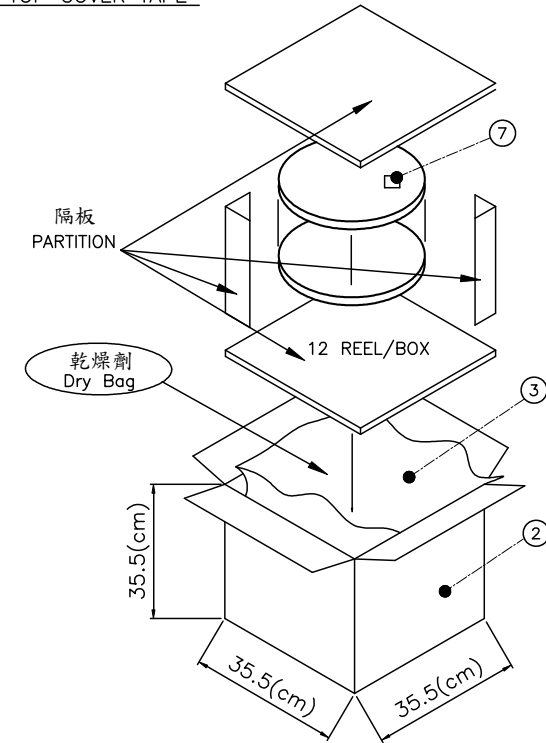
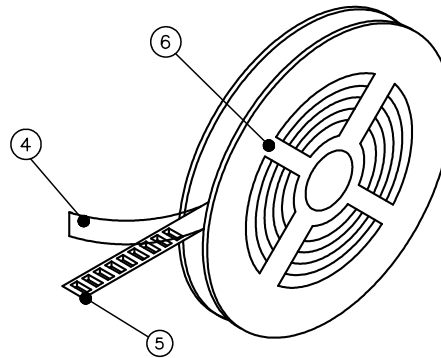
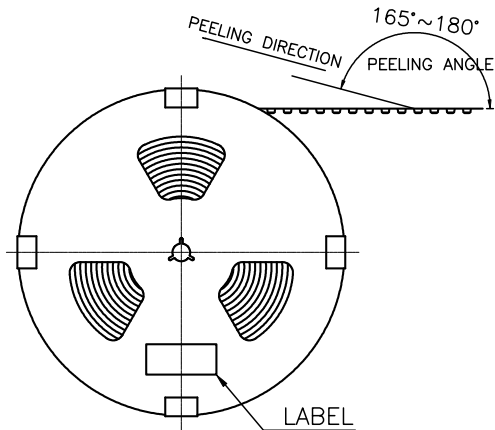
| | | | DIP 90°

DESCRIPTION: CONNECTOR (Pitch:0.5mm) Right angle type-14 position



ITEM 項目	PARTS NAME 零件名稱	FINISH/REMARK 處理/備註
1	I/O CONNECTOR	3600 PCS/BOX
2	BOX	12 REEL/BOX
3	WATERPROOF BAG	1 PCS
4	REEL	300 PCS/REEL
5	COVER TAPE	Wide=24mm
6	CARRIER TAPE	--
7	LABEL	批號標籤

TOP COVER TAPE



NOTES

- 1.MATERIAL: PS (Color: 透明)
- 2.DEFORMATION(變形)&DAMAGE(損壞): NA.(不可)
- 3.All dimensions meet EIA-481-C requirements.

RoHS Compliant

TOLERANCES ARE

**MORETHANALL**  
PCB CONNECTORS  
Cable ASSEMBLIES

煜倫股份有限公司

www.morethanall.com

DRAWING BY CY

CHECKED BY GENIUS

UNIT/mm

SCALE 1:1

DATE

SIZE A4

X. ± 0.50

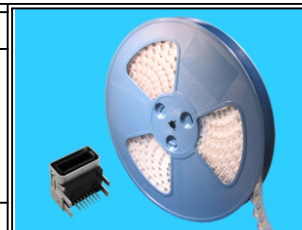
.X ± 0.30

.XX ± 0.20

.XXX ±

ANG ± 5°

PPOJECTION



ORDER INFORMATION

MVGA-SRMR-14-LF

SERIES LEADFREE

14WAY

REEL

METAL FOOT

DIP 90°

DESCRIPTION: Connector for I/O DIP type-14 position