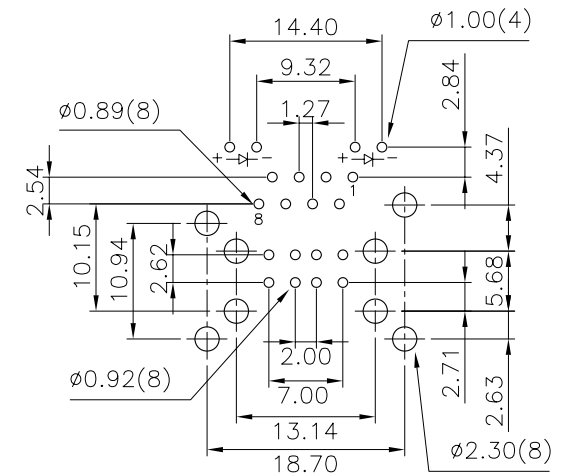
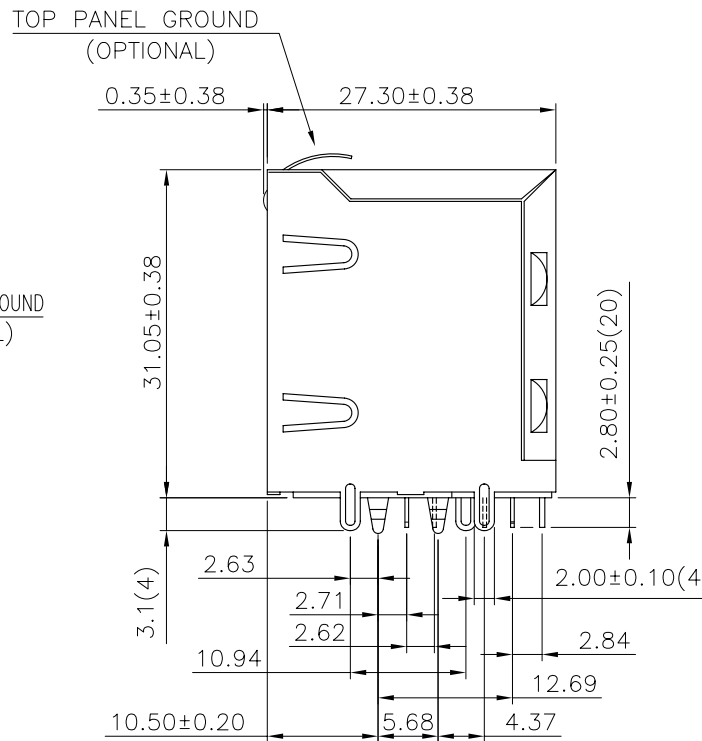
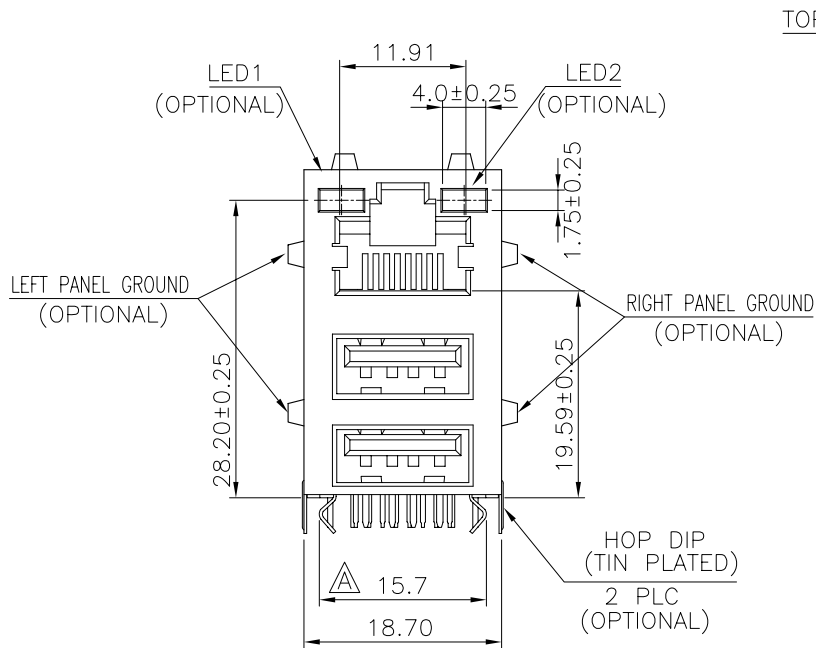


- MATERIAL:
- HOUSING—PBT POLYESTER UL94V-0
MIXED FIBER GLASS.
STANDARD COLOR—BLACK.
 - CONTACTS—0.35mm THICK PHOS-BRONZE PLATED
WITH HARD GOLD AND TIN/LEAD IN
SOLDER AREA.
 - SHIELD—0.20mm THICK COPPER ALLOY,
PLATED WITH NICKEL OR TIN/LEAD.
CAVITY CONFIRMS TO FCC RULES AND REGULATIONS
PART 68,SUBPART F.



PCB LAYOUT

Ref.

RoHS Compliant

TOLERANCES ARE

MORETHANALL
PCB CONNECTORS
Cable ASSEMBLIES

DRAWING BY CY

X. ±

CHECKED BY GENIUS

.X ± 0.25

UNIT / mm

SCALE 1 : 1

.XX ± 0.13

.XXX ± 0.05

ANG ±

DATE

SIZE A4

PJECTION

照片框

ORDER INFORMATION

MUJT45UL-KF06xx-88AA-LF

SERIES

LEADFREE

8P8C TO AA TYPE

GY:GREEN / YELLOW

GG:GREEN / GREEN

BLACK 06:GOLD 6u"

FULL SPRING

煜倫股份有限公司

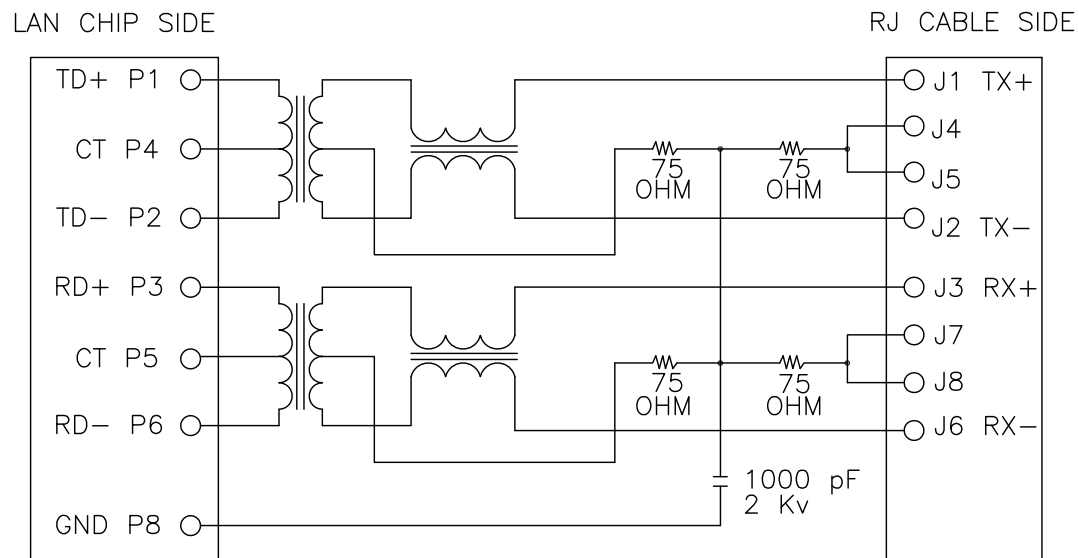
www.morethanall.com

DESCRIPTION: 2X1PORT, RJ45+USB, SHIELD, WITH LED, WITH TRANSFORMER, RECEPTACLE CONNECTOR

TRANSFORMER

ELECTRICAL CHARACTERISTICS

1. TR:(100KHz,0.1V);
 PINS:(P1-P2):(J1-J2)=1:1±3%
 PINS:(P3-P6):(J3-J6)=1:1±3%
2. LX:(100KHz,100mV,8mA, DC Blas)
 PINS: (P1,P2),(P3,P6)=350uH MINIMUM
3. DCR:
 PINS:(J1-J2),(J3-J6)=1.2 OHMS MINIMUM
4. INSERTION LOSS:
 -1.0dB MAXIMUM AT 1MHz TO 100MHz
5. RETURN LOSS:
 -20dB MINIMUM AT 1MHz TO 30MHz
 -15dB MINIMUM AT 30MHz TO 60MHz
 -10dB MINIMUM AT 60MHz TO 80MHz
6. CROSS TALK:
 -30dB MINIMUM AT 1MHz TO 100MHz
7. COMMON TO COMMON MODE REJECTION:
 -30dB MINIMUM AT 1MHz TO 100MHz



CONNECTOR SCHEMATIC

RoHS Compliant

TOLERANCES ARE

MORETHANALL
 PCB CONNECTORS
 Cable ASSEMBLIES

DRAWING BY CY

X.±

CHECKED BY GENIUS

.X±

UNIT / mm

SCALE 1 : 1

.XX±

DATE

.XXX±

ANG±

SIZE A4

PJECTION

照片框

ORDER INFORMATION

MUJT45UL-KF06xx-88AA-LF

SERIES

LEADFREE

8P8C TO AA TYPE
 GY:GREEN / YELLOW
 GG:GREEN / GREEN
 06:GOLD 6u"
 FULL SPRING

BLACK

煜倫股份有限公司

www.morethanall.com

DESCRIPTION: