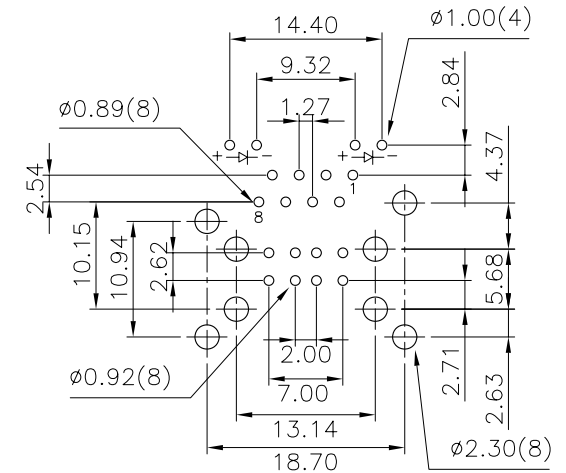
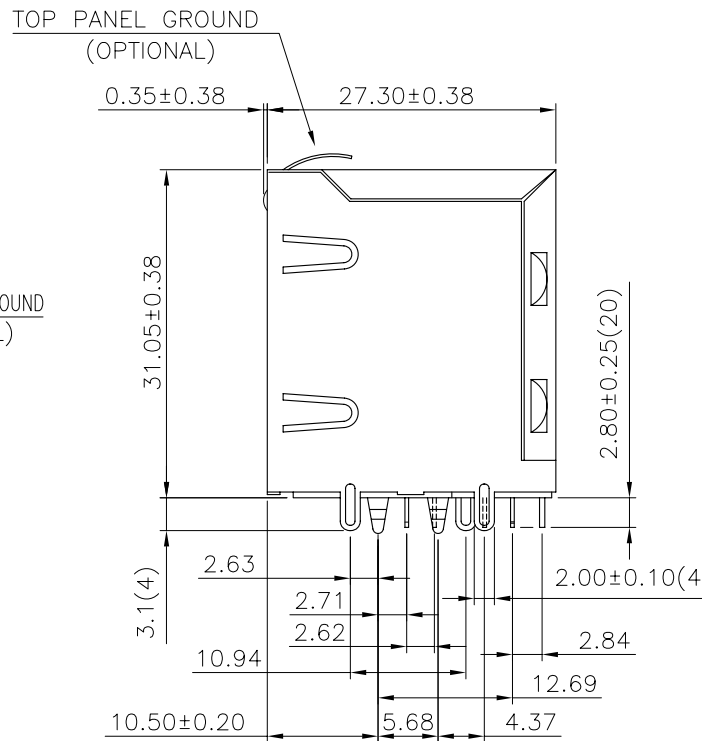
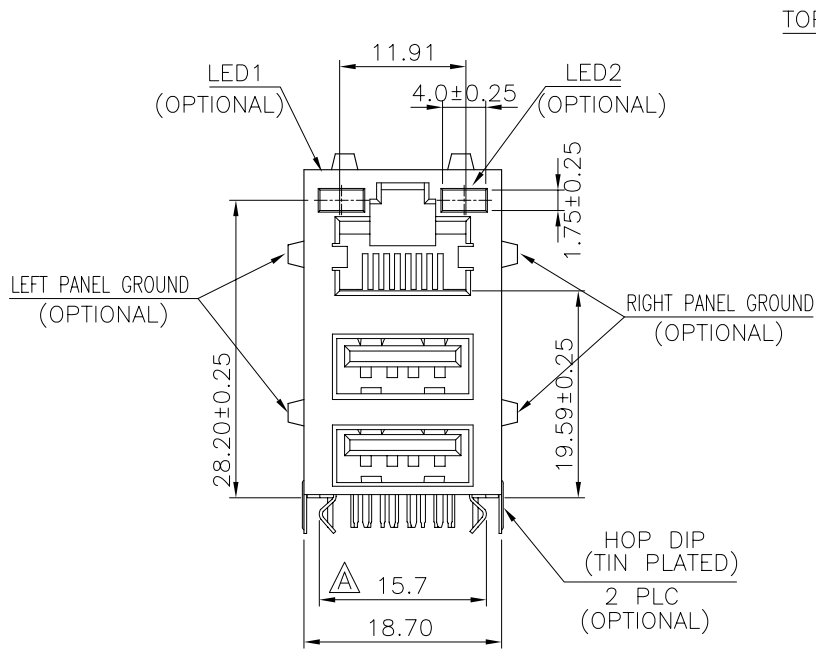


- MATERIAL:
- HOUSING—PBT POLYESTER UL94V-0
MIXED FIBER GLASS.
STANDARD COLOR—BLACK.
 - CONTACTS—0.35mm THICK PHOS-BRONZE PLATED
WITH HARD GOLD AND TIN/LEAD IN
SOLDER AREA.
 - SHIELD—0.20mm THICK COPPER ALLOY,
PLATED WITH NICKEL OR TIN/LEAD.
CAVITY CONFIRMS TO FCC RULES AND REGULATIONS
PART 68,SUBPART F.



PCB LAYOUT

Ref.

RoHS Compliant

TOLERANCES ARE

MORETHANALL
PCB CONNECTORS
Cable ASSEMBLIES

DRAWING BY CY

X. ±

CHECKED BY GENIUS

.X ± 0.25

UNIT / mm

SCALE 1 : 1

.XX ± 0.13

.XXX ± 0.05

ANG ±

DATE

SIZE A4

P PROJECTION

照片框

ORDER INFORMATION

MUJT25UL-KF06xx-88AA-LF

SERIES

LEADFREE

8P8C TO AA TYPE

GY: GREEN / YELLOW

GG: GREEN / GREEN

BLACK 06: GOLD 6u"

FULL SPRING

煜倫股份有限公司

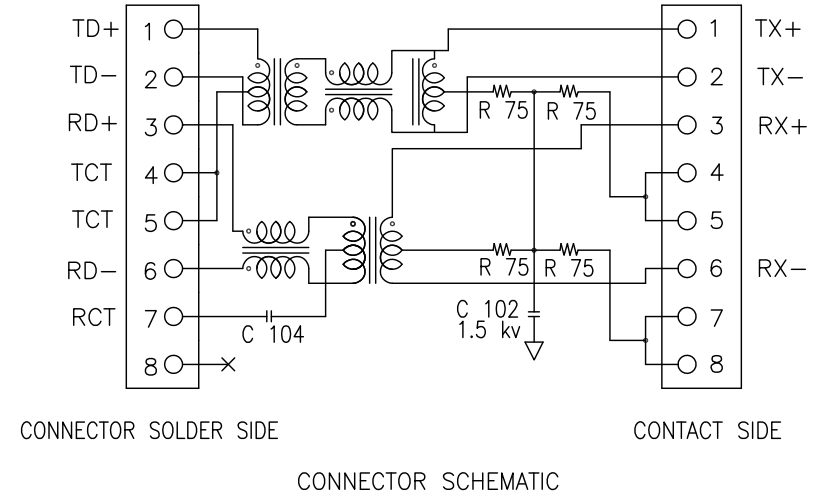
www.morethanall.com

DESCRIPTION: 2X1PORT, RJ45+USB, SHIELD, WITH LED, WITH TRANSFORMER, RECEPTACLE CONNECTOR

TRANSFORMER

ELECTRICAL CHARACTERISTICS

Item	Parameter	Condition	Min.	Typ.	Max.	Unit	REMARK
1	Insertion loss	1-100 MHz			-1	dB	
2	Return loss	1-30 MHz	-18			dB	
		30-60 MHz	-12			dB	
		60-80 MHz	-12			dB	
3	OCL	100 KHz	350			uH	
4	Crosstalk	100 KHz-100 MHz	-35			dB	
5	Hipot	Vrms	1.5			kV	
6	Leakage inductance					uH	
7	Primary to Secondary Capacitance					pF	
8	Turns Ratio (Chip : Cable)	TX: 1 : 1 RX: 1 : 1				CT	
9	Direct Current resistance					Ω	
10	Interwinding Capacitance					pF	
11	Rise Time	2.5 nS from 10 to 90%				nS	



MORETHANALL
PCB CONNECTORS
Cable ASSEMBLIES

煜倫股份有限公司

www.morethanall.com

RoHS Compliant

DRAWING BY CY

CHECKED BY GENIUS

UNIT / mm SCALE 1 : 1

DATE

SIZE A4

TOLERANCES ARE

X. ±
.X ±
.XX ±
.XXX ±
ANG ±

PJECTION

照片框

ORDER INFORMATION

MUJT25UL-KF06xx-88AA-LF

SERIES

LEADFREE
8P8C TO AA TYPE

GY: GEEN / YELLOW
GG: GREEN / GREEN

BLACK 06: GOLD 6u"
FULL SPRING

DESCRIPTION: TRANSFORMER SPECIFICATION