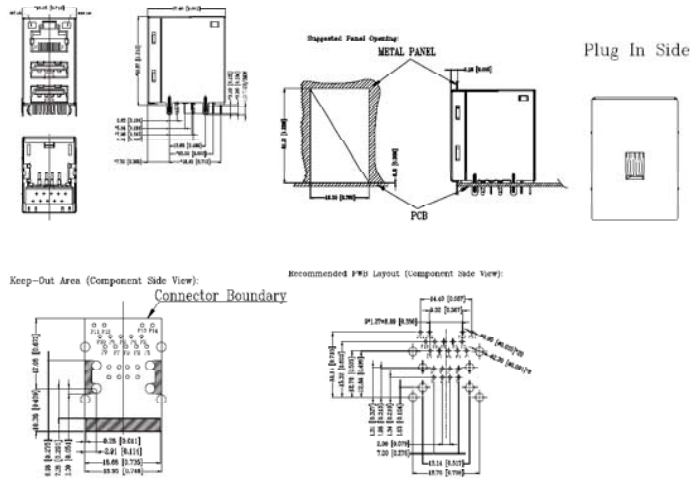
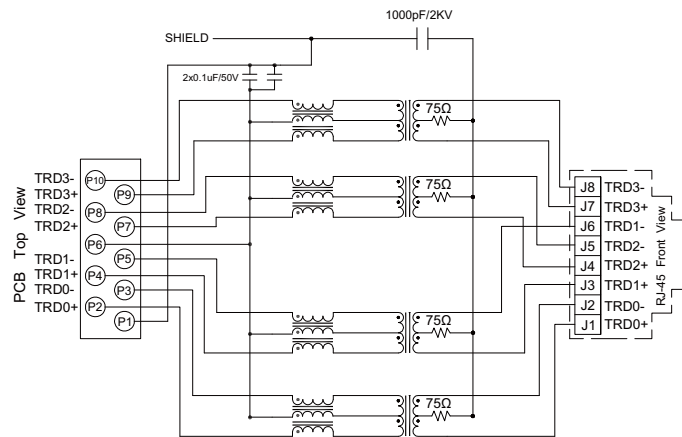


一、Mechanical Dimensions



UNIT:mm Unless otherwise specified, all tolerances are ± 0.25

二、Schematics



Standard LED	Wavelength	Forward*V(MAX)	TYP
Green	565nm	2.5v	2.2v
Yellow	585nm	2.5v	2.1v
Orange	610nm	2.5v	2.1v

With a forward current of 20mA

三、ELECTRICAL SPECIFICATIONS@25 °C:

1. Turn Ratio($\pm 3\%$): 1CT:1CT
2. OCL(100KHz/0.1V@ 8mA): 350uH MIN
3. Insertion Loss (dB MAX): -1.0dB(1-100MHz)
4. Return Loss (dB MIN): -16dB(1-30MHz),-13.5dB(30-60MHz),-12dB(60-80MHz)
-10dB(80-100MHz)
5. Cross Talk (dB MIN): -27dB(1-100MHz)
6. CMR (dB MIN): -30dB(1-100MHz),-15dB(100-200MHz)
7. HI-POT(Pri to Sec) : 1500Vrms
8. Operating Temperature: 0°C +70°C
9. RoHS compliance:YES

RoHS Compliant

TOLERANCES ARE

MORETHANALL
PCB CONNECTORS
Cable ASSEMBLIES

煜倫股份有限公司

www.morethanall.com

DRAWING BY CY

CHECKED BY GENIUS

UNIT / mm

SCALE 1 : 1

DATE

SIZE A4

PPOJECTION

X, \pm
.X \pm
.XX \pm
.XXX \pm
ANG \pm

照片框

ORDER INFORMATION

MUJT16UL-KX06GOYX-88AA

SERIES

06u" GOLD 8P8C+AA TYPE
NON EAR LED LEFT LED RIGHT
BLACK GREEN/ORANGE YELLOW /

DESCRIPTION: RJ45 1000 BASE-TX JACK / Dual USB Combo

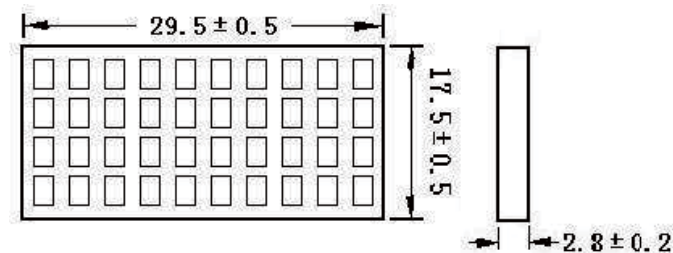
四、Mechanicals:

Notes:

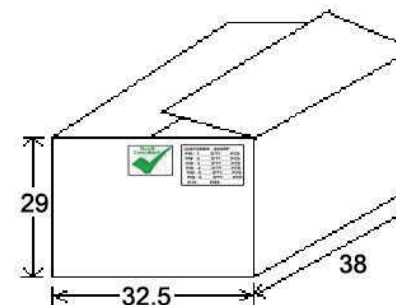
1. CONNECTOR MATERIAL:
 - 1.1 RJ45
HOUSING: PBT BLACK UL94 V-0
SHIELD: SUS304
CONTACT: PHOSPHOR BRONZE
CONTACT PLATING: SELECTIVE GOLD, 6 MICRO-INCHS MIN IN CONTACT AREA
 - 1.2 USB2.0
CONTACT: PHOSPHOR BRONZE
CONTACT PLATING: SELECTIVE GOLD, 6 MICRO-INCHS MIN IN CONTACT AREA
2. PIN NOT ELECTRICALLY CONNECTED MAYBE OMITTED SEE ELECTRICAL DRAWING FOR OMITTED PINS
3. RJ45 CAVITIES CONFORM TO FCC RULES AND REGULATION PART 68.
4. STORAGE TEMPERATURE T=-40° C TO +85° C.

五、Packaging

1. packaging unit : 40 PCS/tray
2. packaging material : PET



3. outer carton unit 560 pcs/ 14 Trays/box



RoHS Compliant

TOLERANCES ARE

MORETHANALL
PCB CONNECTORS
Cable ASSEMBLIES

煜倫股份有限公司

www.morethanall.com

DRAWING BY CY

CHECKED BY GENIUS

UNIT / mm SCALE 1:1

DATE

SIZE A4

X, ±
.X ±
.XX ±
.XXX ±
ANG ±

PPOJECTION

照片框

ORDER INFORMATION

MUJT16UL-KX06GOYX-88AA

SERIES

06u" GOLD
NON EAR
BLACK

8P8C+AA TYPE

LED LEFT GREEN/ORANGE
LED RIGHT YELLOW /

DESCRIPTION: