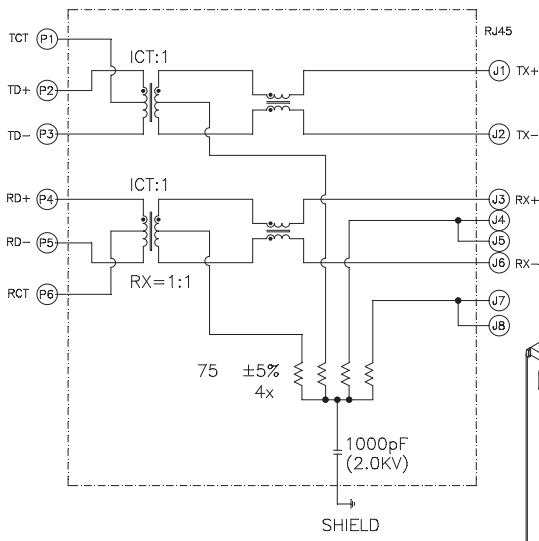
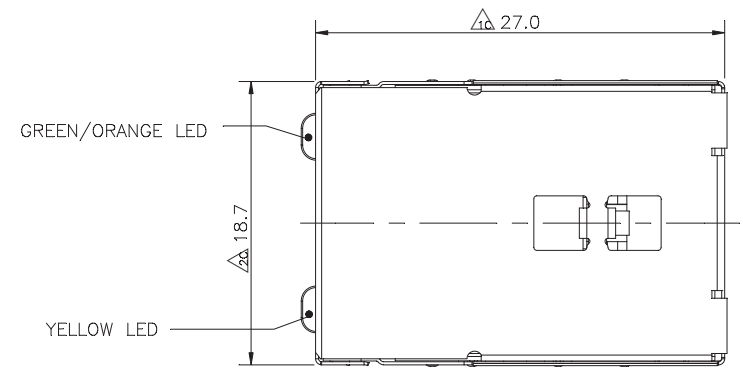
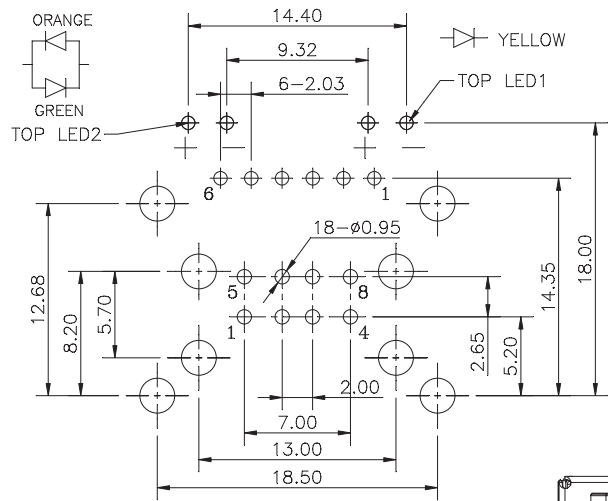


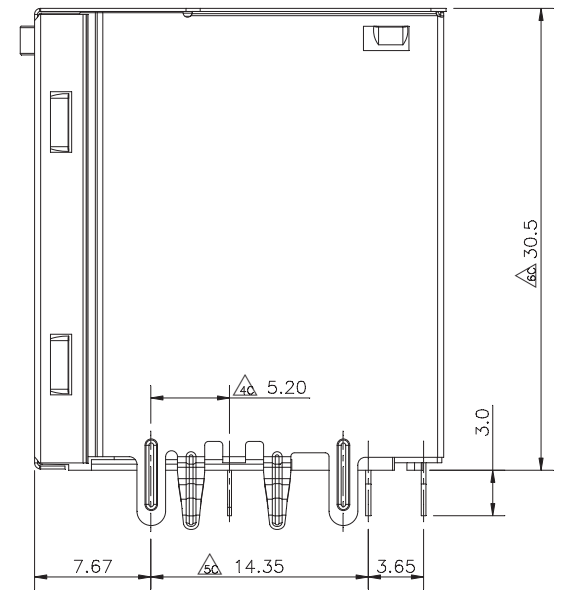
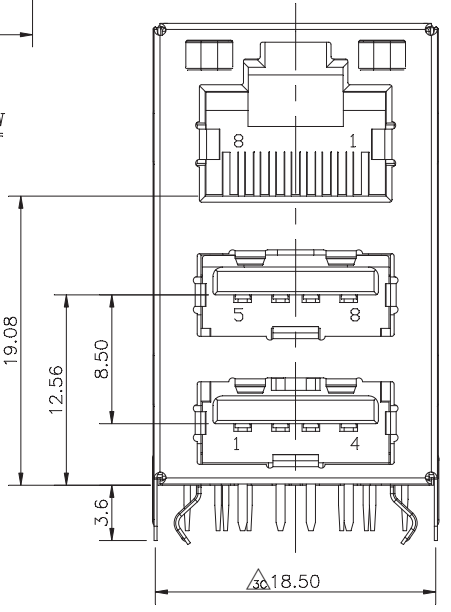
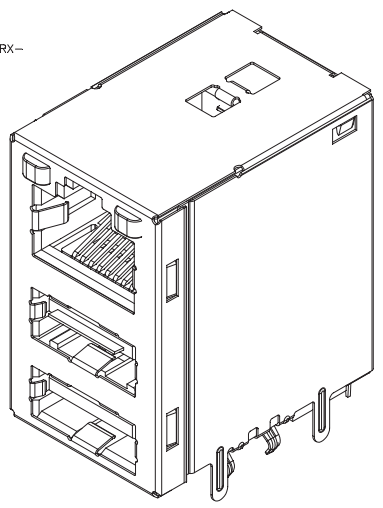
ELECTRICAL CHARACTERISTICS @ 25°C

TURNS RATIO	
TX	ICT: 1
RX	ICT: 1
OCL: @100KHz/100mVRMS	
8mA DC BLAS	350uH MIN
INS. LOSS	
1MHz TO 100MHz	-1.0dB MAX
RET.LOSS(MIN)	
1MHz-30MHz	-18dB
30MHz-60MHz	-18+200LOG(F/30MHz)dB
60MHz-80MHz	-12dB
CROSS TALK (TX - RX)	
50KHz-100MHz	-35dB MIN
CM TO CM REJ	
100KHz-100MHz	-30dB MIN
CM TO DM REJ	
100KHz-100MHz	-40dB MIN

HIPOT (Isolation voltage): 1500Vrms



PCB LAYOUT/TOP VIEW



MATERIALS:
 HOUSING: Thermoplastic, UL 94V-0. Color Black.
 CONTACTS: Phosphor Bronze.
 PLATING:
 (1) Gold Plating Over Nickel In Contact.
 (2) Tin Plating Over Nickel In Solder Area.
 SHIELD: STAINLESS STEEL.
 MECHANICAL:
 DURABILITY: 1500 Mating Cycles.

RoHS Compliant

TOLERANCES ARE

MORETHANALL
 PCB CONNECTORS
 Cable ASSEMBLIES
煜倫股份有限公司

DRAWING BY CY
 CHECKED BY GENIUS
 UNIT/mm SCALE 1:1
 DATE

X. ± 0.50
 .X ± 0.38
 .XX ± 0.25
 .XXX ± 0.10
 ANG ± 3°

照片框

ORDER INFORMATION

MUJT16UL-KX06GOYX-86AA

SERIES | 06u" GOLD | 8P6C+AA TYPE
 NON EAR | LED LEFT | LED RIGHT
 BLACK | GREEN/ORANGE | YELLOW /

www.morethanall.com

SIZE A4 PROJECTION

DESCRIPTION: MADULE JACK_RJ45 OVER DUAL USB