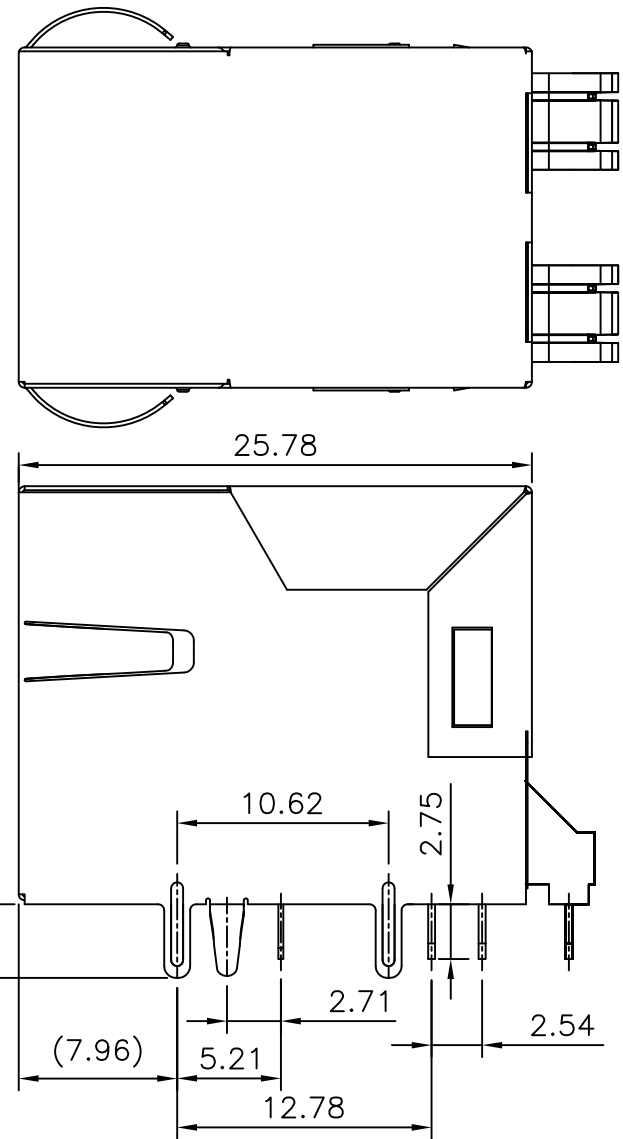
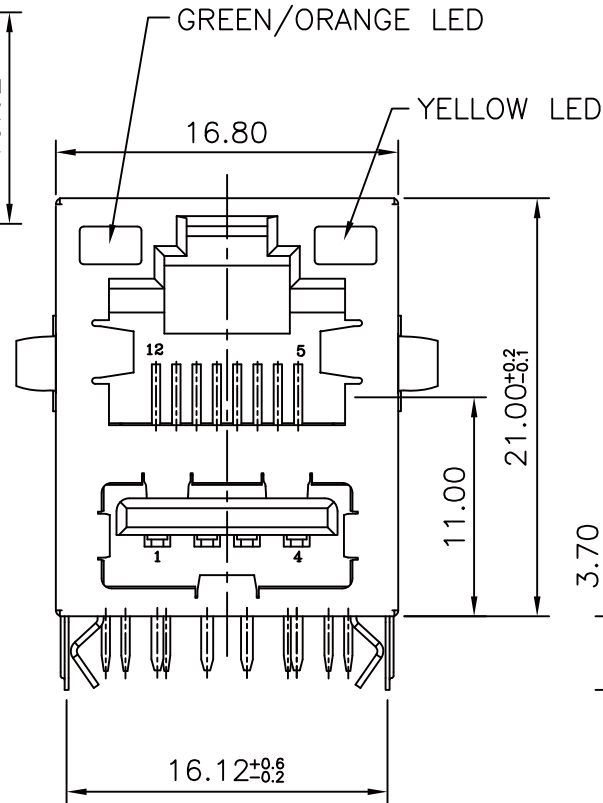


PCB LAYOUT/TOP VIEW

MATERIALS:  
 HOUSING:ENGINEERING THERMOPLASTIC  
 FLAMMABILITY RATING UL 94V-0.  
 CONTACTS:PHOSPHOR BRONZE  
 PLATING:GOLD PLATING OVER NICKEL IN CONTACT  
 COLOR: BLACK  
 \*WAVE SOLDER CAPABLE TO 265°C  
 ※凡標註△記號者,為品管檢驗之尺寸



RoHS Compliant

TOLERANCES ARE

**MORETHANALL**  
 PCB CONNECTORS  
 Cable ASSEMBLIES

DRAWING BY CY  
 CHECKED BY GENIUS  
 UNIT / mm SCALE 1:1  
 DATE  
 SIZE A4 PPROJECTION

X, ±  
 .X ±  
 .XX ±  
 .XXX ±  
 ANG ±

照片框

ORDER INFORMATION

MUJT16UL-KS06GOYX-88A1

SERIES

BLACK  
 SPRING

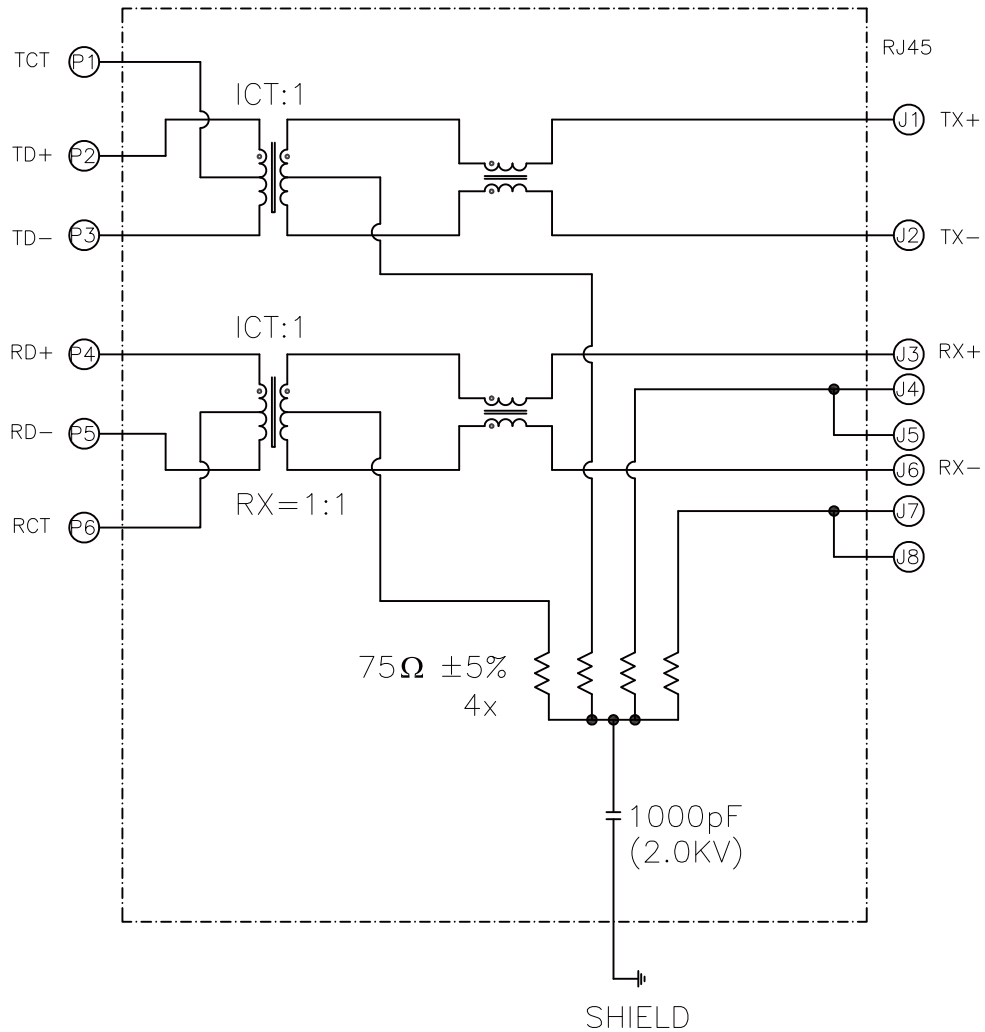
8P8C TO A TYPE

LED2 / LED1  
 GREEN+ORANGE / YELLOW  
 06u" GOLD

煜倫股份有限公司

www.morethanall.com

DESCRIPTION:



ELECTRICAL CHARACTERISTICS @ 25° C

TRANSFORMER	ICT: 1
TX	ICT: 1
RX	ICT: 1
OCL @100KHz/100mVRMS	
8mA DC BLAS	350uH MIN
INS. LOSS	-1.0dB MAX
1MHz TO 100MHz	
RET.LOSS(MIN)	-18dB
1MHz-30MHz	
30MHz-60MHz	-18+20LOG(F/30MHz)dB
60MHz-80MHz	-12dB
CROSS TALK (TX - RX)	
500KHz-100MHz	-35dB MIN
CM TO CM REJ	
100KHz-100MHz	-30dB MIN
CM TO DM REJ	
100KHz-100MHz	-40dB MIN
HIPOT (Isolation voltage): 1500Vums	

RoHS Compliant

TOLERANCES ARE

**MORETHANALL**  
PCB CONNECTORS  
Cable ASSEMBLIES

煜倫股份有限公司

www.morethanall.com

DRAWING BY CY

CHECKED BY GENIUS

UNIT / mm SCALE 1:1

DATE

SIZE A4

X. ±  
.X ±  
.XX ±  
.XXX ±  
ANG ±

P PROJECTION

照片框

ORDER INFORMATION

MUJT16UL-KS06GOYX-88A1

SERIES

BLACK  
SPRING

8P8C TO A TYPE

LED2 / LED1  
GREEN+ORANGE / YELLOW

06u" GOLD

DESCRIPTION: