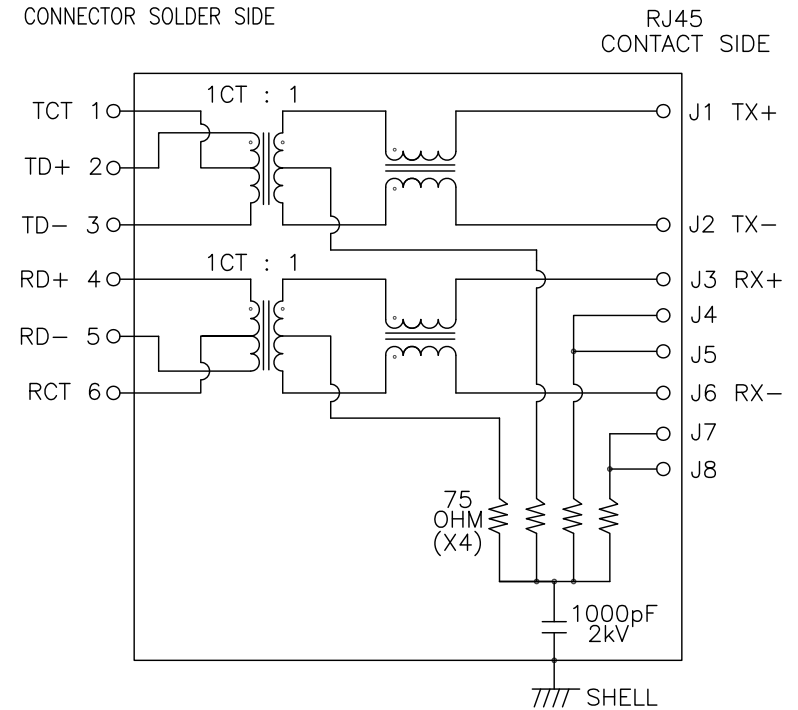


TRANSFORMER

ELECTRICAL CHARACTERISTICS

Item	Parameter	Condition	Min.	Typ.	Max.	Unit	REMARK
1	Insertion loss	@1-100 MHz			-1.0	dB	
2	Return loss	@1-30 MHz	-18			dB	NOTE 1
		@30-60 MHz				dB	
		@60-80 MHz	-12			dB	
3	Crosstalk	@500kHz-100MHz	-35			dB	
4	Hipot	Vrms	1.5			kV	
5	Common to Differential Mode Rejection	@100KHz-100MHz	-40			dB	
6	Common to Common Mode Rejection	@100KHz-100MHz	-30			dB	

* NOTE 1: $-18-20 \log (f/30\text{MHz})\text{dB}$.



CONNECTOR SCHEMATIC

RoHS Compliant

TOLERANCES ARE

MORETHANALL
PCB CONNECTORS
Cable ASSEMBLIES

煜倫股份有限公司

www.morethanall.com

DRAWING BY CY

CHECKED BY GENIUS

UNIT / mm SCALE 1 : 1

DATE

SIZE A4

X. ±
.X ± 0.25
.XX ± 0.13
.XXX ± 0.05
ANG ±

PJECTION

照片框

ORDER INFORMATION

MUJT16UL-KF06xx-88AA-LF

SERIES

LEADFREE

8P8C TO AA TYPE

GY:LED1/GREEN LED2/YELLOW

BLACK

FULL SPRING 06u" GOLD

DESCRIPTION: TRANSFORMER SPECIFICATION