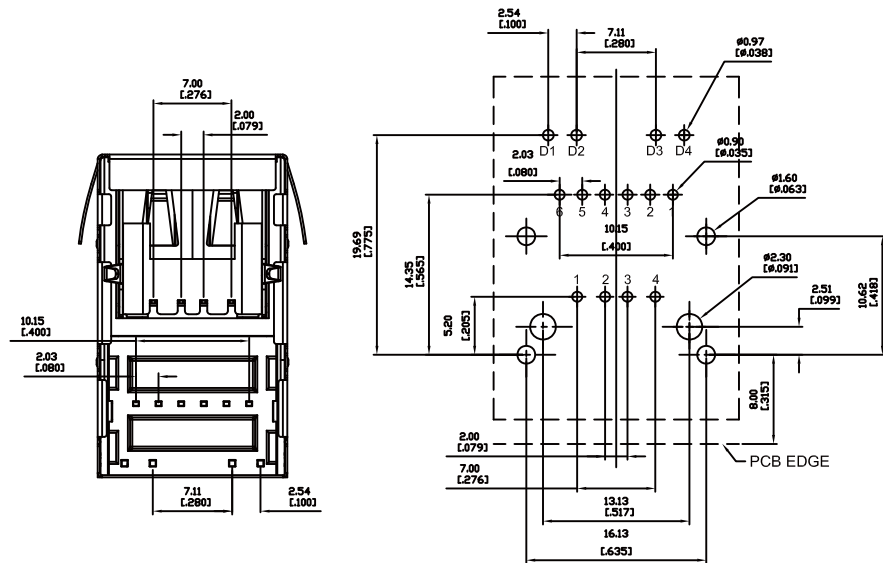
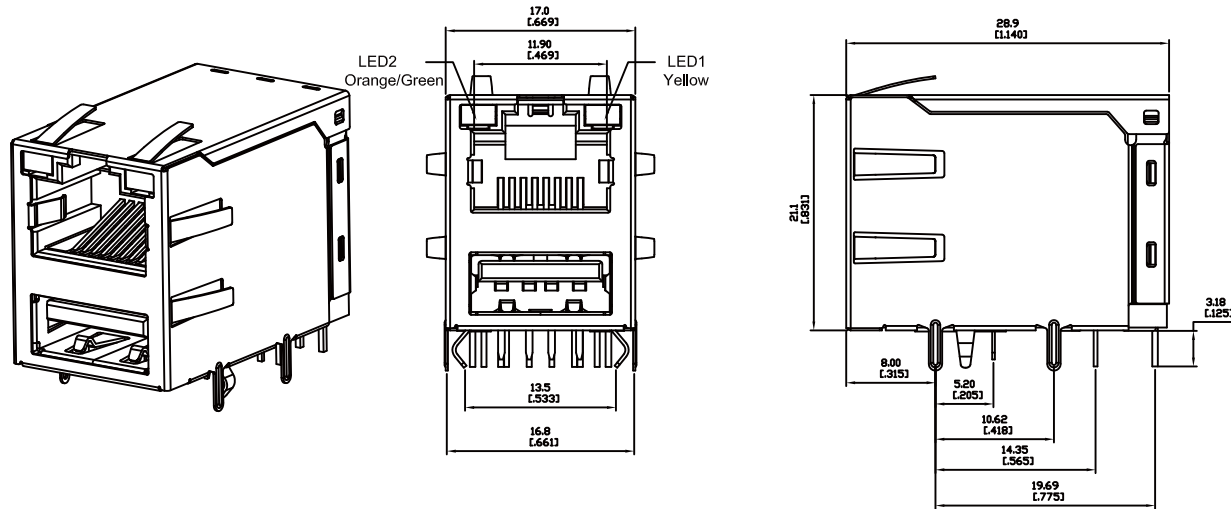


1. MECHANICAL DIMENSIONS:



SUGGESTED PCB LAYOUT
TOP VIEW

Material:

- 1.Housing: Thermoplastic UL 94V-0
- 2.Contact : Selective Gold Plating
- 3.Terminal: 0.35mm Thickness Phosphor Bronze Plated With Gold And Tin In Solder Area.
- 4.Shield: SUS,Brass ,Nickel Plating

RoHS Compliant

TOLERANCES ARE



煜倫股份有限公司

www.morethanall.com

DRAWING BY CY
CHECKED BY GENIUS
UNIT / mm SCALE 1 : 1
DATE
SIZE A4

X, ±
.X ±
.XX ±
.XXX ±
ANG ±

PJECTION

照片框

ORDER INFORMATION

MUJT16UL-KF06OGYX-86A1

SERIES

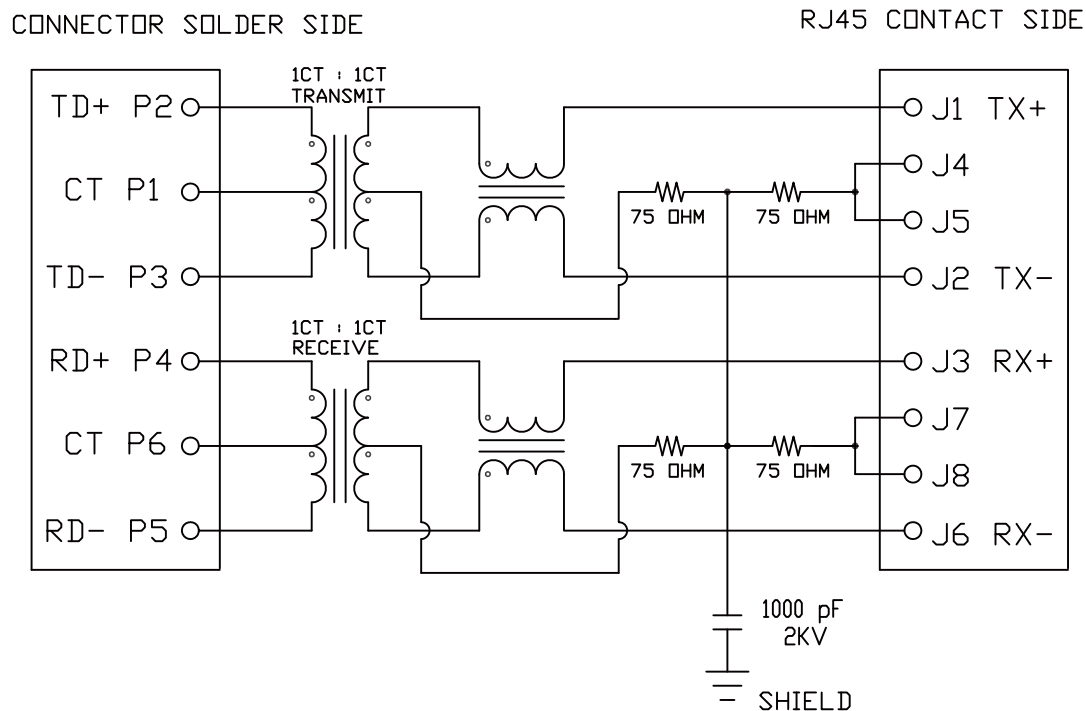
8P6C TO A TYPE

BLACK
FULL SPRING

LED2 / LED1
GREEN+ORANGE / YELLOW
06u" GOLD

DESCRIPTION:

2. SCHEMATIC:



3. ELECTRICAL CHARACTERISTICS :

Test Notes:(25±5°)

1.TR:(100KHz,0.1V):

Pins:(P2-P3):(J1-J2)=1:1±3%

Pins:(P4-P5):(J3-J6)=1:1±3%

2.LX:(100KHz,100mV,8mA, Dc Bias)

Pins:(P2-P3),(P4-P5)=350uh Minimum

3.DCR:

Pins:(J1-J2),(J3-J6)=1.2 Ohms Maximum

4.HIPOT:

Pins:(P2,P1,P3)To(J1,J2)=1500VAC For 60 Seconds

Pins:(P4,P6,P5)To(J3,J6)=1500VAC For 60 Seconds

5.INSERTION LOSS:

-1.0dB Maximum At 0.3MHZ To 100MHZ:

6.RETURN LOSS:

-20dB Minimum At 1MHz To 30MHz;

-15dB Minimum At 30MHz To 60MHz;

-10dB Minimum At 60MHz To 80MHz

7.CROSS TALK:

-30dB Minimum At 1MHz To 100MHz

8.COMMON TO COMMON MODE REJECTION:

-30dB Minimum At 1MHz To 100MHz

RoHS Compliant

TOLERANCES ARE

MORETHANALL
PCB CONNECTORS
Cable ASSEMBLIES

煜倫股份有限公司

www.morethanall.com

DRAWING BY CY

CHECKED BY GENIUS

UNIT / mm SCALE 1 : 1

DATE

SIZE A4

P PROJECTION

X, ±
.X ±
.XX ±
.XXX ±
ANG ±

照片框

ORDER INFORMATION

MUJT16UL-KF06OGYX-86A1

SERIES

8P6C TO A TYPE

BLACK
FULL SPRING

LED2 / LED1
GREEN+ORANGE / YELLOW
06u" GOLD

DESCRIPTION: