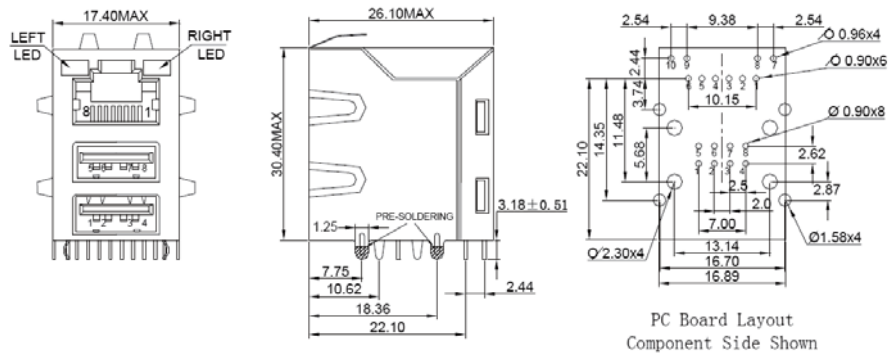
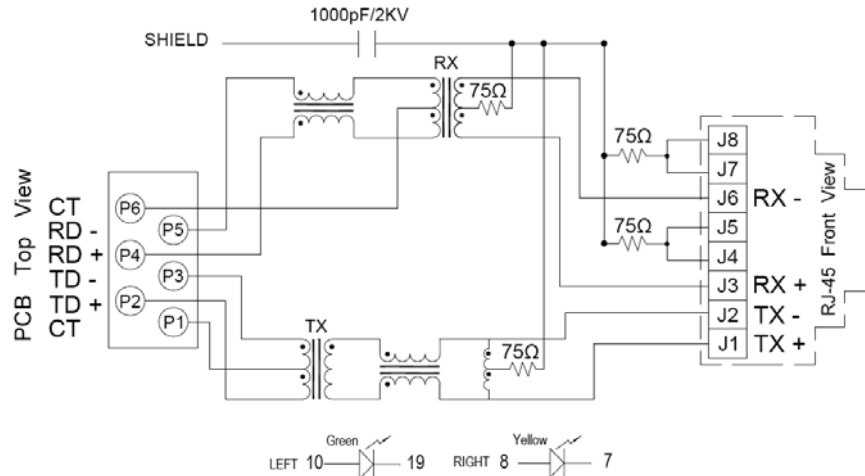


一、Mechanical Dimensions



UNIT: mm Unless otherwise specified, all tolerances are ± 0.25

二、Schematics



三、ELECTRICAL SPECIFICATIONS@25°C:

1. Turn Ratio($\pm 5\%$): TX=1CT:1,RX=1CT:1CT
2. Inductance (100KHz/0.1V@8mA):350uH MIN
3. Insertion Loss (dB MAX): -1.0dB(1-100MHz)
4. Return Loss(dB MIN): -18dB(1-30MHz),-16dB(30-60MHz),-12dB(60-80MHz)
5. Cross talk (dB MIN): -35dB(1-100MHz)
6. CMR(dB MIN): -30dB(1-100MHz)
7. HI-POT(Pri to Sec): 1500Vrms/0.5mA/60sec or 1650Vrms/0.5mA/2sec
8. Operating Temperature:-40°C TO +85°C
9. RoHS compliance:YES

RoHS Compliant

TOLERANCES ARE

MORETHANALL
PCB CONNECTORS
Cable ASSEMBLIES

DRAWING BY CY

X, \pm

CHECKED BY GENIUS

.X \pm

UNIT / mm

SCALE 1 : 1

.XX \pm

DATE

.XXX \pm

ANG \pm

SIZE A4

PJECTION

照片框

ORDER INFORMATION

MUJT16UL-KF06GY-86AA

SERIES

8P6C TO AA TYPE

LEFT / RIGHT

GREEN / YELLOW

BLACK

06u" GOLD
FULL SPRING

煜倫股份有限公司

www.morethanall.com

DESCRIPTION: