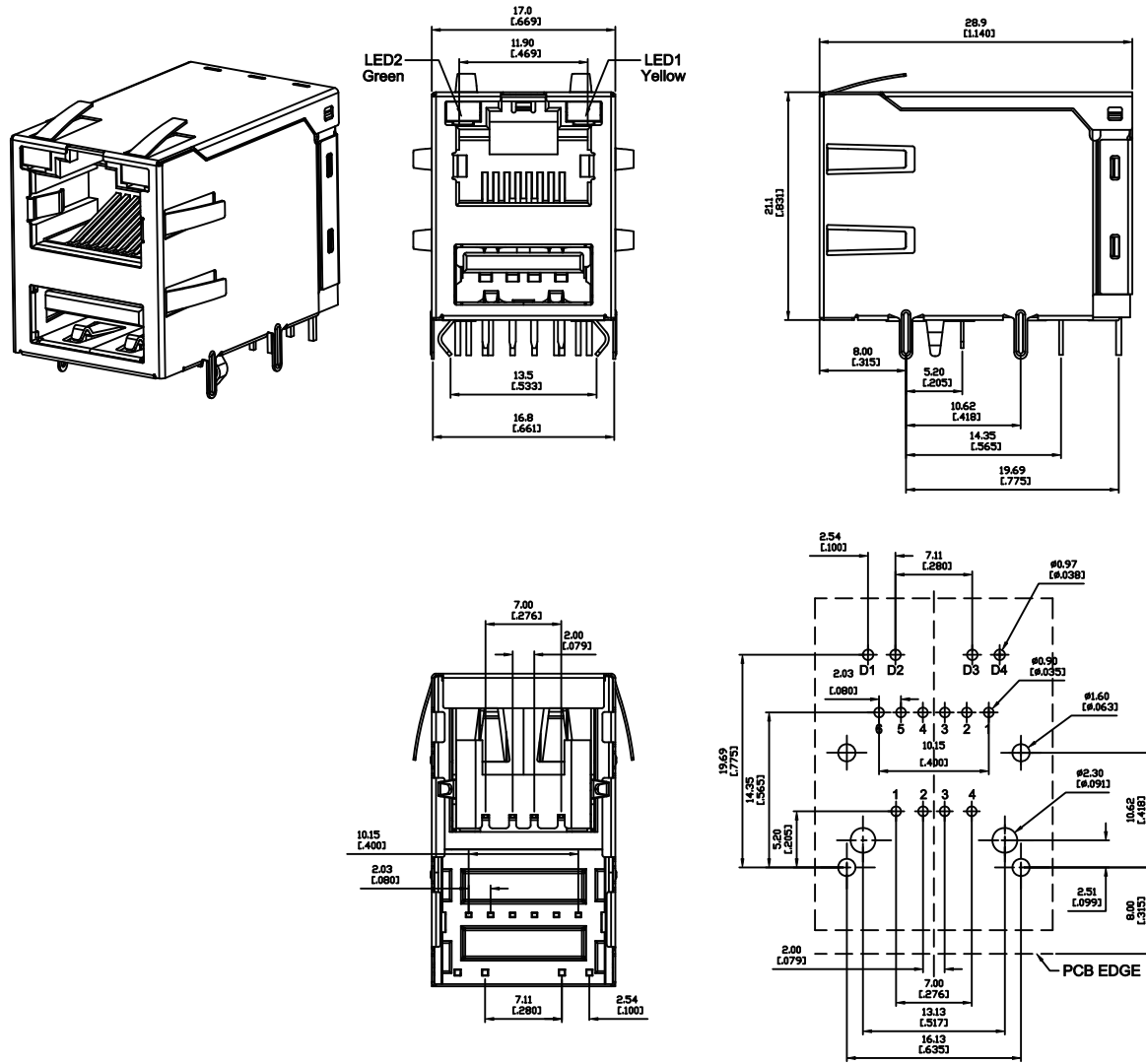


# 1. MECHANICAL DIMENSIONS:



## Material:

- 1.Housing: Thermoplastic UL 94V-0
- 2.Contact : Selective Gold Plating
- 3.RJ Terminal: 0.35mm Thickness Phosphor Bronze Plated With Gold And Tin In Solder Area.
4. USB Terminal: 0.25mm Thickness Phosphor Bronze Plated With Gold And Tin In Solder Area.
- 5.Front Shell: SUS, T=0.20±0.01mm  
Back Shell: BRASS, T=0.20±0.01mm

RECOMMENDED PCB LAYOUT  
TOP VIEW

RoHS Compliant

TOLERANCES ARE

**MORETHANALL**  
PCB CONNECTORS  
Cable ASSEMBLIES

煜倫股份有限公司

www.morethanall.com

DRAWING BY CY

CHECKED BY GENIUS

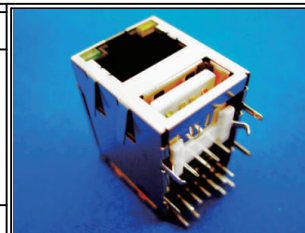
UNIT/mm SCALE 1:1

DATE

SIZE A4

X. ±  
.X ±  
.XX ±  
.XXX ±  
ANG ±

PJECTION



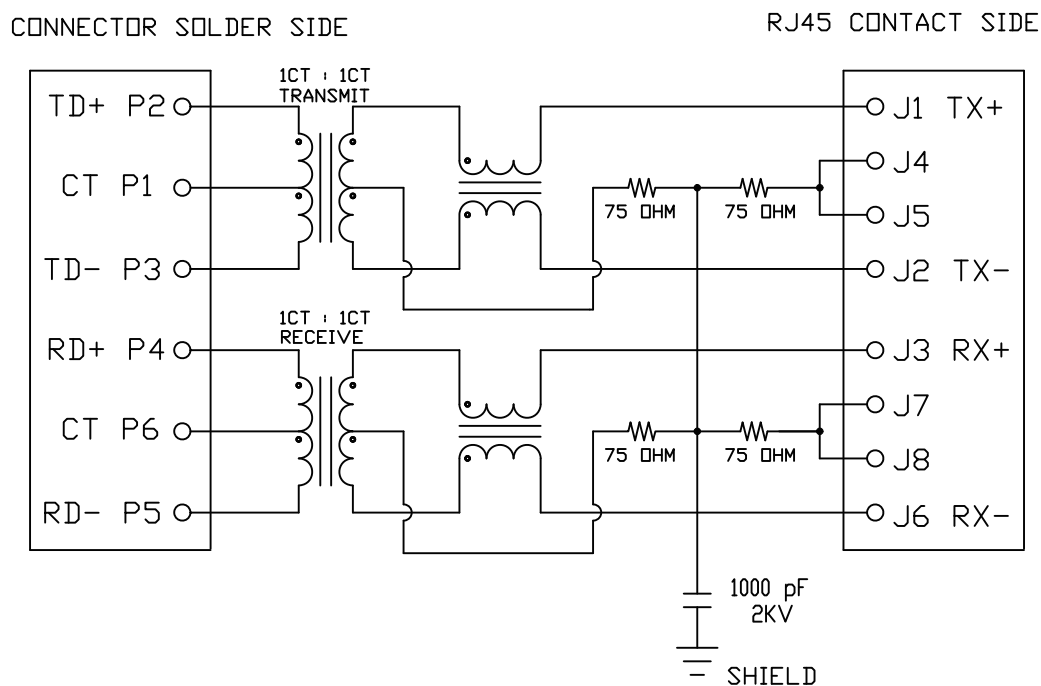
ORDER INFORMATION

MUJT16UL-KF06GY-86A1

SERIES | 8P6C TO A TYPE  
BLACK | LED2 / LED1  
FULL SPRING | GREEN / YELLOW  
06u" GOLD

DESCRIPTION: RJ45+USB A Type Daul,w/LED,w/Filter10/100 Mbps,8P,6C,Shielded / Thru-Hole

## 2. SCHEMATIC:



## 3. ELECTRICAL CHARACTERISTICS :

Test Notes:(25±5°)

1.TR:(100KHz,0.1V):

Pins:(P2-P3):(J1-J2)=1:1±3%

Pins:(P4-P5):(J3-J6)=1:1±3%

2.LX:(100KHz,100mV,8mA, Dc Bias)

Pins:(P2-P3),(P4-P5)=350uh Minimum

3.DCR:

Pins:(J1-J2),(J3-J6)=1.2 Ohms Maximum

4.HIPOT:

Pins:(P2,P1,P3)To(J1,J2)=1500VAC For 60 Seconds

Pins:(P4,P6,P5)To(J3,J6)=1500VAC For 60 Seconds

5.INSERTION LOSS:

-1.0dB Maximum At 0.3MHZ To 100MHZ:

6.RETURN LOSS:

-20dB Minimum At 1MHz To 30MHz;

-15dB Minimum At 30MHz To 60MHz;

-10dB Minimum At 60MHz To 80MHz

7.CROSS TALK:

-30dB Minimum At 1MHz To 100MHz

8.COMMON TO COMMON MODE REJECTION:

-30dB Minimum At 1MHz To 100MHz

RoHS Compliant

TOLERANCES ARE

**MORETHANALL**  
PCB CONNECTORS  
Cable ASSEMBLIES

煜倫股份有限公司

www.morethanall.com

DRAWING BY CY

CHECKED BY GENIUS

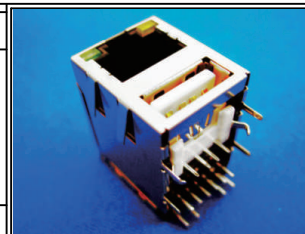
UNIT/mm SCALE 1:1

DATE

SIZE A4

PJECTION

X. ±  
.X ±  
.XX ±  
.XXX ±  
ANG ±



ORDER INFORMATION

MUJT16UL-KF06GY-86A1

SERIES  
BLACK  
FULL SPRING  
8P6C TO A TYPE  
LED2 / LED1  
GREEN / YELLOW  
06u" GOLD

DESCRIPTION: RJ45+USB A Type Daul,w/LED,w/Filter10/100 Mbps,8P,6C,Shielded / Thru-Hole