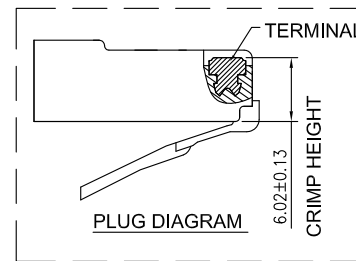
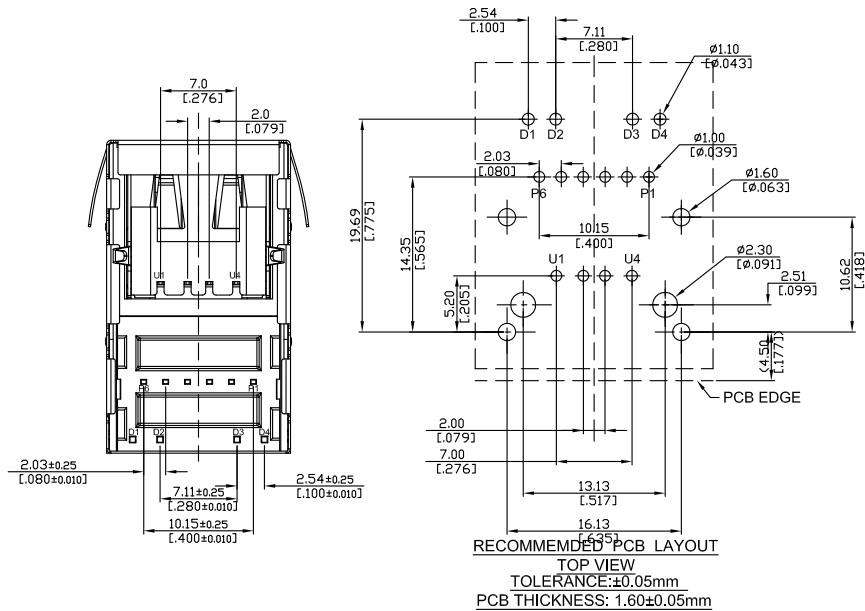
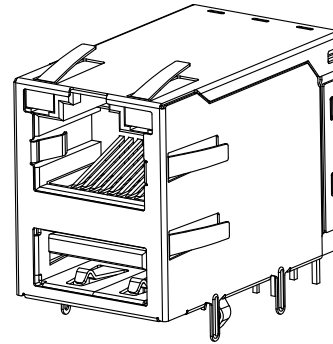
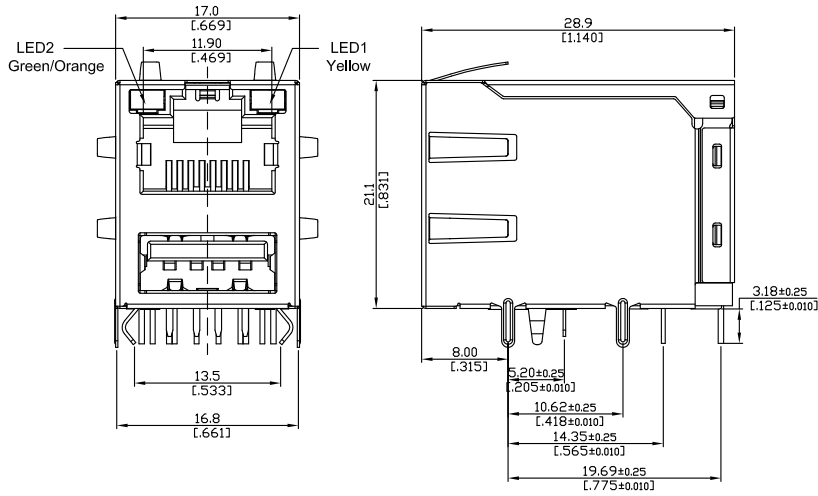
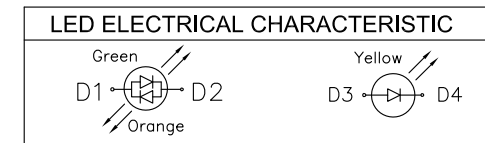


# 1. MECHANICAL DIMENSIONS:



## Material:

- 1.Housing: Thermoplastic UL 94V-0
- 2.Contact : Selective Gold Plating
- 3.RJ Terminal: 0.35mm Thickness Phosphor Bronze Plated With Gold And Tin In Solder Area.
4. USB Terminal: 0.25mm Thickness Phosphor Bronze Plated With Gold And Tin In Solder Area.
- 5.Front Shell: BRASS, T=0.20±0.01mm  
Back Shell: BRASS, T=0.20±0.01mm



RoHS Compliant

TOLERANCES ARE

**MORETHANALL**  
PCB CONNECTORS  
Cable ASSEMBLIES

DRAWING BY CY

X. ±  
.X ± 0.35  
.XX ± 0.25  
.XXX ± 0.15  
ANG ±

CHECKED BY GENIUS

UNIT / mm SCALE 1 : 1

DATE

SIZE A4

PPOJECTION

照片框

ORDER INFORMATION

MUJT16UL-KF03GOYX-86A1

SERIES

8P6C TO A TYPE

BLACK  
FULL SPRING

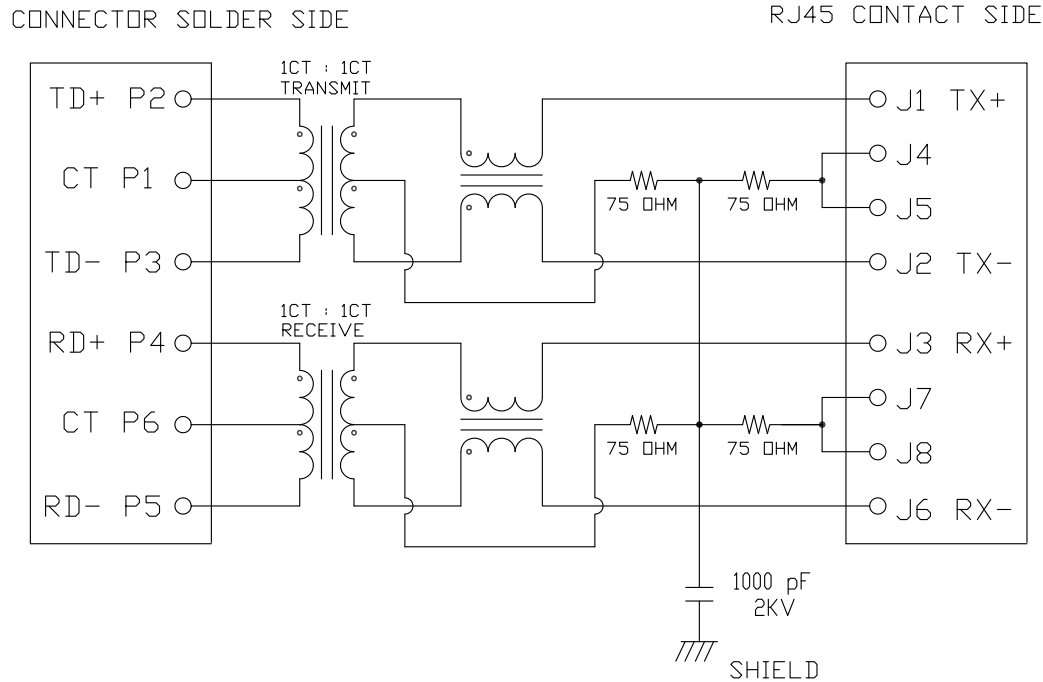
LED2 / LED1  
GREEN+ORANGE / YELLOW  
03u" GOLD

煜倫股份有限公司

www.morethanall.com

DESCRIPTION: RJ45+USB A Type Daul,w/LED,w/Filter10/100 Mbps,6P,8C,Shielded / Thru-Hole

## 2. SCHEMATIC:



## 3. ELECTRICAL CHARACTERISTICS :

Test Notes:(25±5°)

1.TR:(100KHz,0.1V):

Pins:(P2-P3):(J1-J2)=1:1±3%

Pins:(P4-P5):(J3-J6)=1:1±3%

2.LX:(100KHz,100mV,8mA, DC Bias)

Pins:(P2-P3),(P4-P5)=350uH Minimum

3.DCR:

Pins:(J1-J2),(J3-J6)=1.2 Ω Maximum

4.HIPOT:

Pins:(P2,P3)To(J1,J2)=1500VAC 60s or 2250VDC 60s

Pins:(P4,P5)To(J3,J6)=1500VAC 60s or 2250VDC 60s

5.INSERTION LOSS:

-1.0dB Maximum At 1MHzTo 100MHz

6.RETURN LOSS:

-18dB Minimum At 1MHz To 30MHz,load 100 Ω;

-16dB Minimum At 30MHz To 60MHz,load 100 Ω;

-12dB Minimum At 60MHz To 80MHz,load 100 Ω.

7.CROSS TALK:

-30dB Minimum At 1MHz To 100MHz

8.COMMON TO COMMON MODE REJECTION:

-30dB Minimum At 1MHz To 100MHz

RoHS Compliant

TOLERANCES ARE

**MORETHANALL**  
PCB CONNECTORS  
Cable ASSEMBLIES

煜倫股份有限公司

www.morethanall.com

DRAWING BY CY

CHECKED BY GENIUS

UNIT / mm

SCALE 1:1

DATE

SIZE A4

PPOJECTION

X, ±  
.X ± 0.35  
.XX ± 0.25  
.XXX ± 0.15  
ANG ±

照片框

ORDER INFORMATION

MUJT16UL-KF03GOYX-86A1

SERIES

8P6C TO A TYPE

BLACK  
FULL SPRING

LED2 / LED1  
GREEN+ORANGE / YELLOW  
03u" GOLD

DESCRIPTION: RJ45+USB A Type Daul,w/LED,w/Filter10/100 Mbps,6P,8C,Shielded / Thru-Hole