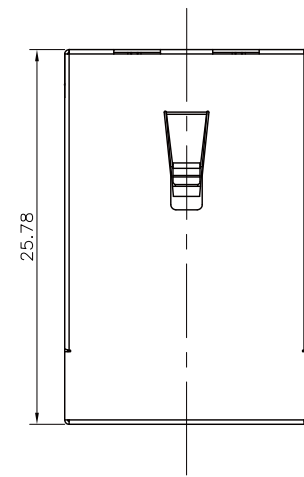
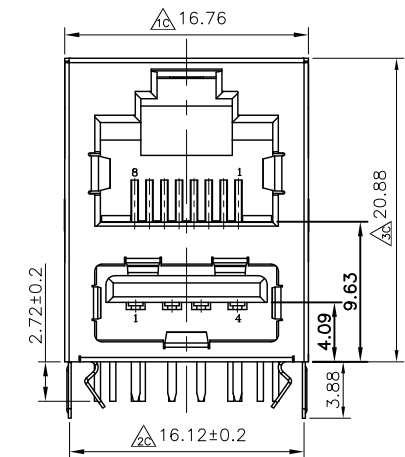
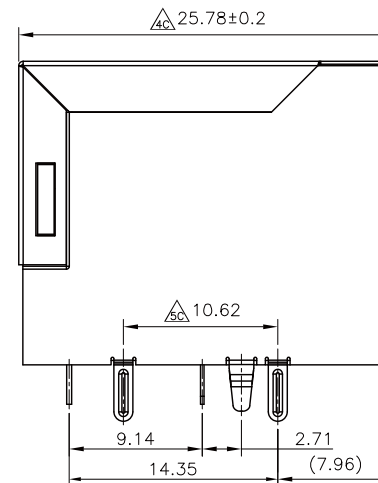
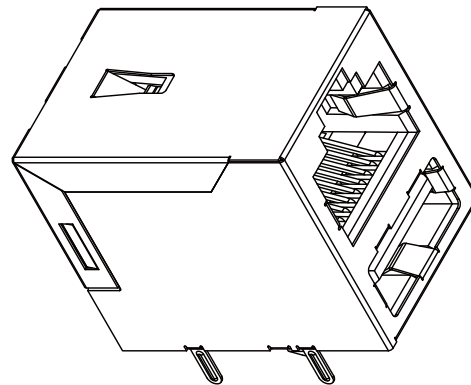


PCB LAYOUT/TOP VIEW



ELECTRICAL CHARACTERISTICS @ 25°C

TURN RATIO	
TX	ICT: 1
RX	ICT: 1
OCL: @100KHz/100mVRMS	
8mA DC BLAS	350uH MIN
INS. LOSS	
1MHz TO 100MHz	-1.0dB MAX
RET.LOSS(MIN)	
1MHz-30MHz	-18dB
30MHz-60MHz	-18+200LOG(F/30MHz)dB
60MHz-80MHz	-12dB
CROSS TALK (TX - RX)	
50KHz-100MHz	-35dB MIN
CM TO CM REJ	
100KHz-100MHz	-30dB MIN
CM TO DM REJ	
100KHz-100MHz	-40dB MIN
HIPOT (Isolation voltage):	1500Vums



MATERIALS:
 HOUSING:Thermoplastic,UL 94V-0. Color Black
 CONTACTS: Phosphor Bronze.
 PLATING:
 (1)Contact Area : 3u"min. Gold.
 (2)Solder tail Area : Tin(80u"min.).
 (3)Underplating : 40~60u"min. Nickel Over All.
 MECHANICAL:
 DURABILITY: 1500 Mating Cycles.

※凡標註△記號者,為品管檢驗之尺寸

RoHS Compliant

TOLERANCES ARE

MORETHANALL
 PCB CONNECTORS
 Cable ASSEMBLIES

DRAWING BY CY

X. ±

CHECKED BY GENIUS

.X ±

UNIT / mm

SCALE 1 : 1

.XX ±

DATE

.XXX ±

ANG ±

SIZE A4

PJECTION

照片框

ORDER INFORMATION

MUJT16U-KX03-86A1-LF

SERIES

LEADFREE

8P6C TO A TYPE

03u" GOLD

NON EAR

BLACK

煜倫股份有限公司

www.morethanall.com

DESCRIPTION: