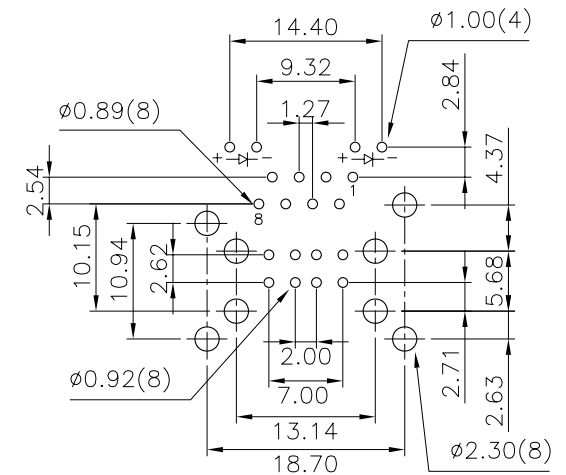
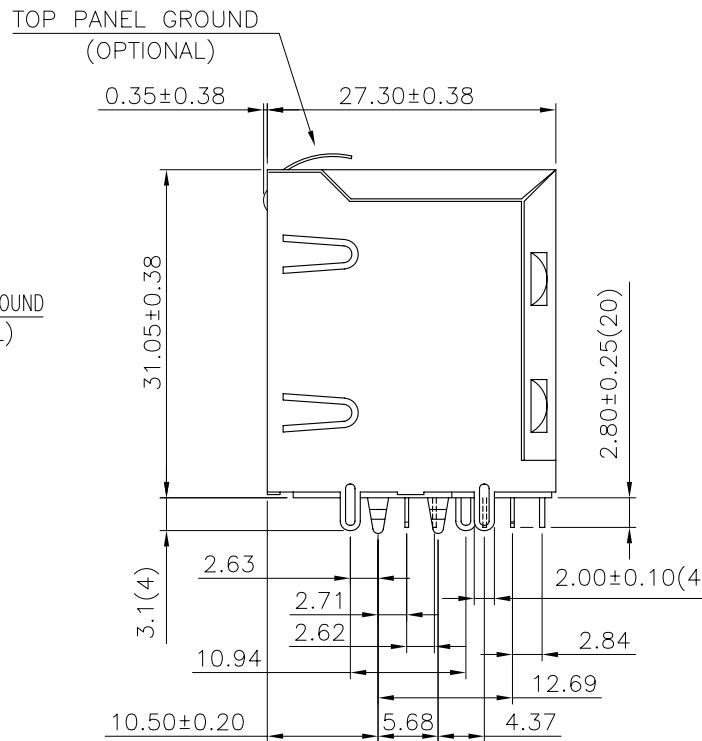
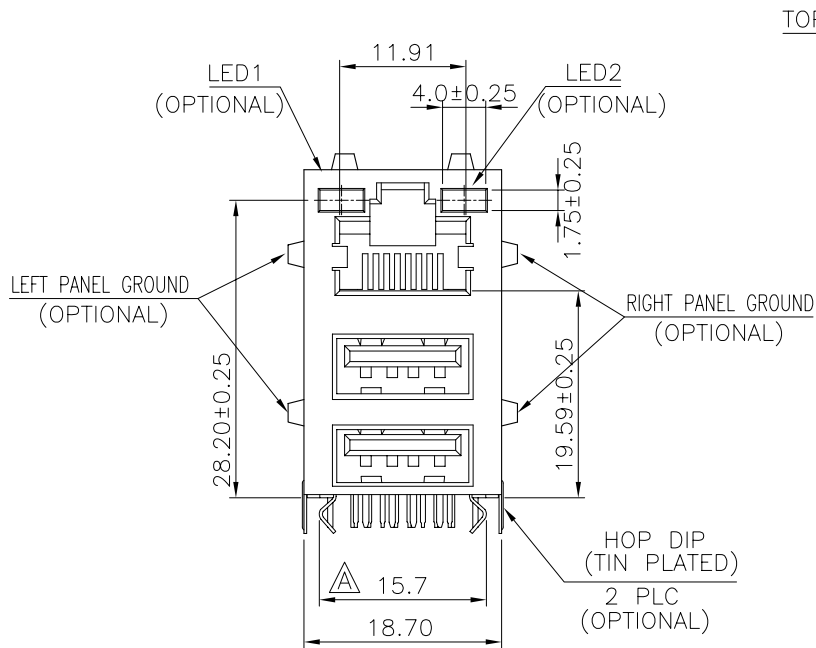


- MATERIAL:
- HOUSING—PBT POLYESTER UL94V-0
MIXED FIBER GLASS.
STANDARD COLOR—BLACK.
 - CONTACTS—0.35mm THICK PHOS-BRONZE PLATED
WITH HARD GOLD AND TIN/LEAD IN
SOLDER AREA.
 - SHIELD—0.20mm THICK COPPER ALLOY,
PLATED WITH NICKEL OR TIN/LEAD.
CAVITY CONFIRMS TO FCC RULES AND REGULATIONS
PART 68,SUBPART F.



PCB LAYOUT

Ref.

RoHS Compliant

TOLERANCES ARE

MORETHANALL
PCB CONNECTORS
Cable ASSEMBLIES

DRAWING BY CY

X. ±

CHECKED BY GENIUS

.X ± 0.25

UNIT / mm

SCALE 1 : 1

.XX ± 0.13

.XXX ± 0.05

ANG ±

DATE

SIZE A4

PJECTION

照片框

ORDER INFORMATION

MUJT112UL-KF06xx-88AA-LF

SERIES

LEADFREE

8P8C TO AA TYPE

GY:GREEN / YELLOW

GG:GREEN / GREEN

BLACK 06:GOLD 6u"

FULL SPRING

煜倫股份有限公司

www.morethanall.com

DESCRIPTION: 2X1PORT, RJ45+USB, SHIELD, WITH LED, WITH TRANSFORMER, RECEPTACLE CONNECTOR

TRANSFORMER

ELECTRICAL CHARACTERISTICS

1. TURNS RATIO

TP1	1CT	:	1CT	±2%
TP2	1CT	:	1CT	±2%
TP3	1CT	:	1CT	±2%
TP4	1CT	:	1CT	±2%

2. OCL: (100KHz, 100mV, 8mA, DC Bias) =350uH MINIMUM

3. HIPOT: 1500VAC FOR 2 SECONDS

4. INSERTION LOSS:

- 0.5 dB MAXIMUM AT 1MHz TO 65MHz
- 0.8 dB MAXIMUM AT 65MHz TO 100MHz
- 1.2 dB MAXIMUM AT 100MHz TO 125MHz

5. RETURN LOSS:

- 18dB MINIMUM AT 1MHz TO 40MHz
- 12+20LOG(f/80MHz)dB MINIMUM AT 40MHz TO 100MHz

6. CROSS TALK:

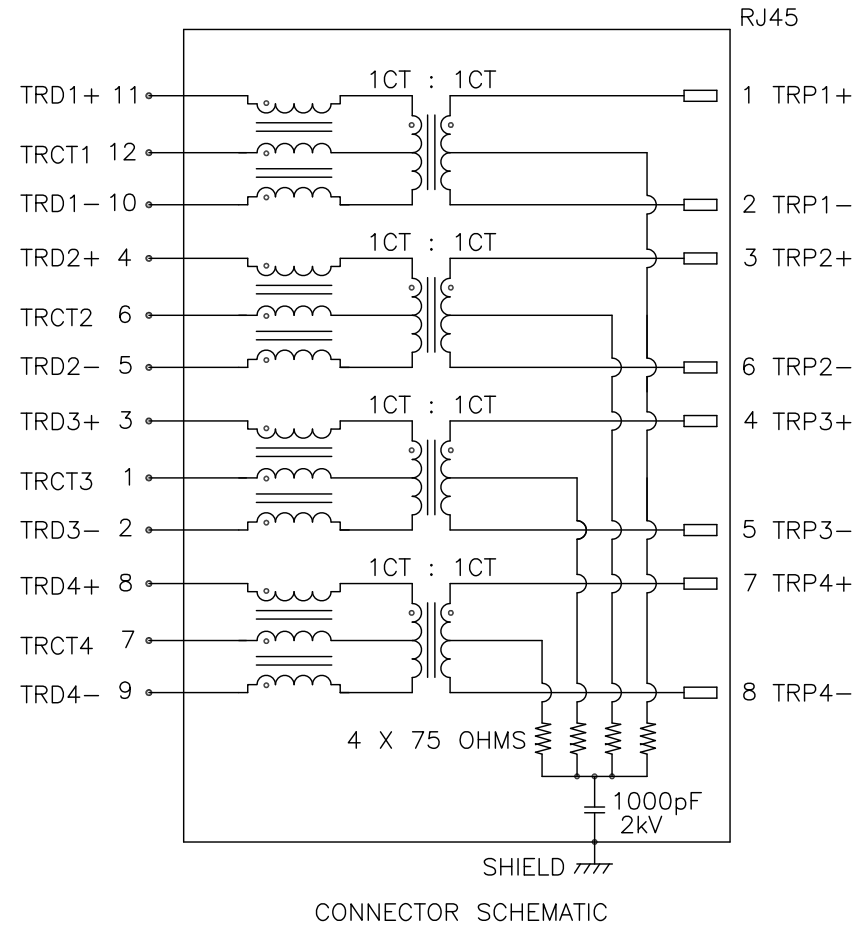
- 33+20LOG(f/100MHz)dB MINIMUM AT 100KHz TO 100MHz

7. COMMON TO COMMON MODE REJECTION

- 30dB MINIMUM AT 100KHz TO 100MHz

8. COMMON TO DIFFERENTIAL MODE REJECTION

- 30dB MINIMUM AT 100KHz TO 100MHz



RoHS Compliant

TOLERANCES ARE

MORETHANALL
PCB CONNECTORS
Cable ASSEMBLIES

煜倫股份有限公司

www.morethanall.com

DRAWING BY CY

CHECKED BY GENIUS

UNIT / mm SCALE 1:1

DATE

SIZE A4

X. ±
.X ±
.XX ±
.XXX ±
ANG ±

PJECTION

照片框

ORDER INFORMATION

MUJT112UL-KF06xx-88AA-LF

SERIES

LEADFREE
8P8C TO AA TYPE

GY: GREEN / YELLOW
GG: GREEN / GREEN

BLACK 06: GOLD 6u"
FULL SPRING

DESCRIPTION: TRANSFORMER SPECIFICATION