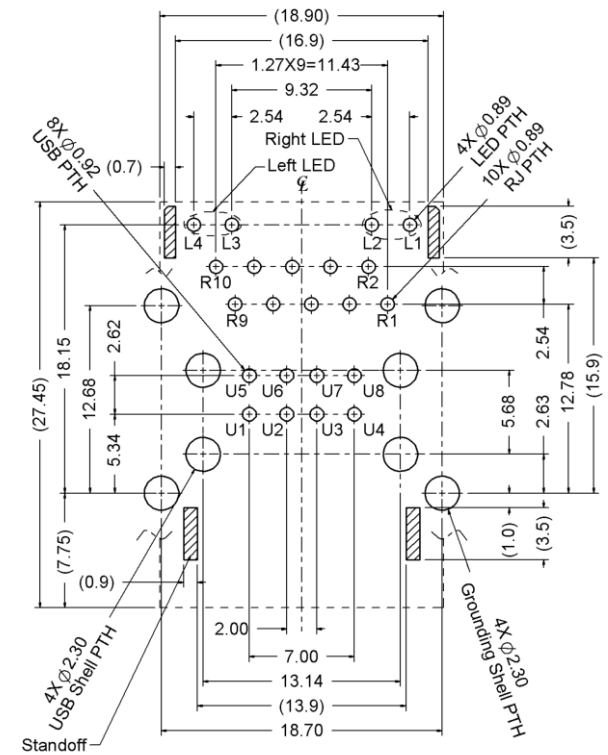


Recommended PCB Layout

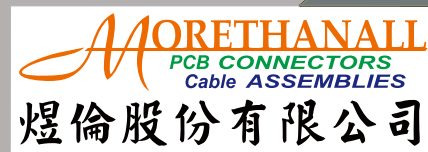
Component Side of Board

All dimension tolerance are ±0.05mm unless otherwise specified



RoHS Compliant

TOLERANCES ARE



DRAWING BY CY

CHECKED BY GENIUS

UNIT / mm

SCALE 1 : 1

DATE

SIZE A4

X, ±
X ± 0.25
.XX ± 0.13
.XXX ± 0.08
ANG ±

PJECTION

照片框

ORDER INFORMATION

MUJT110UL-KX30GOYX-88AA-LF

SERIES

BLACK
30u" GOLD
NON EAR

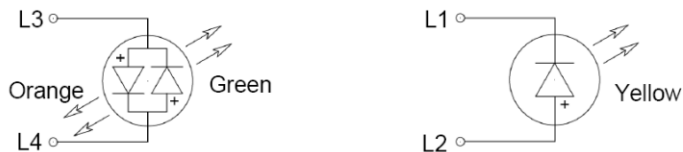
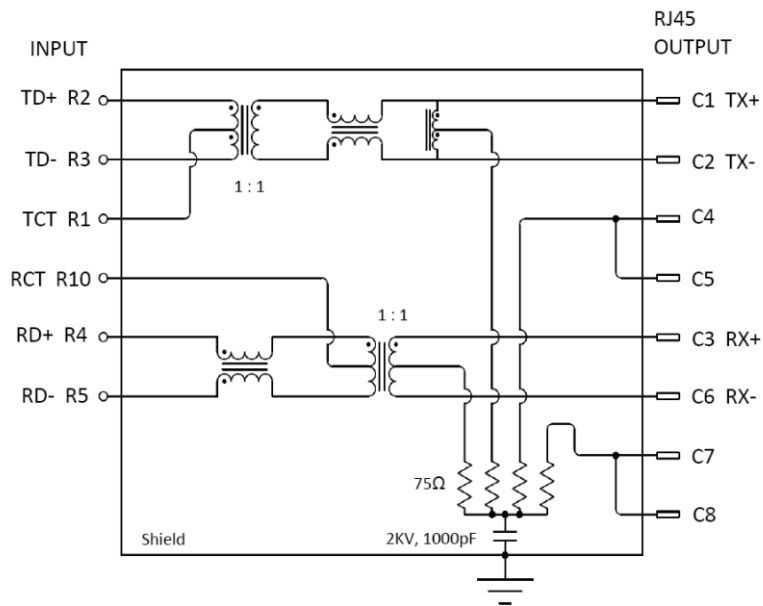
LEADFREE
8P8C TO AA TYPE
LEFT / RIGHT
GREEN+ORANGE / YELLOW

DESCRIPTION:

www.morethanall.com

ELECTRICAL CHARACTERISTICS

3.1 Schematic



Emitting Color	λ_p (nm)	$V_f @ I_f=20mA$	$I_r @ V_r=5V$
Green	565	1.7 ~ 2.6 V	10 μ A max.
Yellow	585	1.7 ~ 2.6 V	10 μ A max.
Orange	610	1.7 ~ 2.6 V	10 μ A max.

3.2 Transmitter filter & Receiver filter

Type : Balance low pass 100 Ω impedance

Insertion loss : 1~100 MHz -1.0dB max.

Return loss : 1~30 MHz -18dB min. load 100 Ω

30~60MHz -16dB min. load 100 Ω

60~80MHz -12dB min. load 100 Ω

3.3 Common Mode Rejection

@ 1~100 MHz -30dB min.

3.4 Cross Talk

@ 1~100 MHz -30dB min.

3.5 Inductance @ 100KHz, 0.1V, 8mA DC BIAS

Input(R2-R3), Input(R4-R5): 350 μ H min.

3.6 HiPot Test

Input(R2-R3) To Output(C1-C2) : 1500Vac 60s or 2250Vdc 60s

Input(R4-R5) To Output(C3-C6) : 1500Vac 60s or 2250Vdc 60s

RoHS Compliant

TOLERANCES ARE

MORETHANALL
PCB CONNECTORS
Cable ASSEMBLIES

DRAWING BY CY

CHECKED BY GENIUS

UNIT / mm

SCALE 1 : 1

DATE

SIZE A4

P PROJECTION

X, \pm
.X \pm 0.25
.XX \pm 0.13
.XXX \pm 0.08
ANG \pm

照片框

ORDER INFORMATION

MUJT110UL-KX30GOYX-88AA-LF

SERIES

LEADFREE
8P8C TO AA TYPE
LEFT / RIGHT
GREEN+ORANGE / YELLOW
BLACK 30u" GOLD
NON EAR

煜倫股份有限公司

www.morethanall.com

DESCRIPTION: