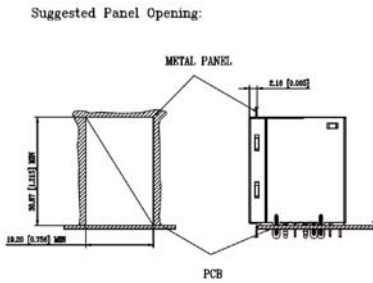
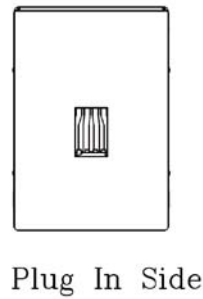
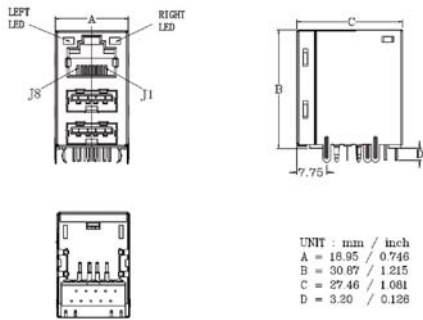
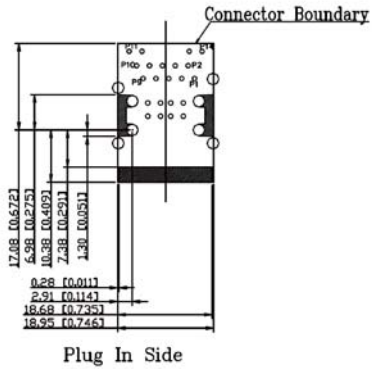


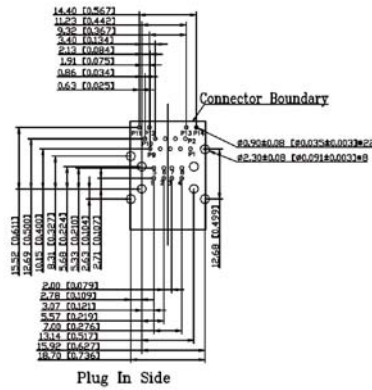
# 一、Mechanical Dimensions



## Keep-Out Area (Component Side View):

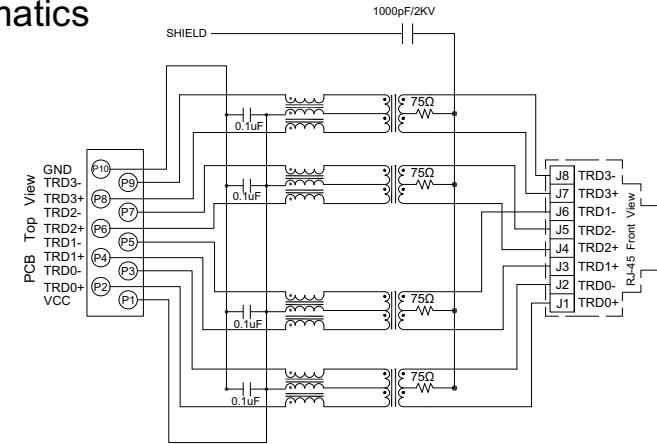


## Recommended PWB Layout (Component Side View):



UNIT:mm Unless otherwise specified, all tolerances are ±0.25

# 二、Schematics



Standard LED	Wavelength(MAX)	Forward *V(MAX)	TYP
Green	574nm	7.8v	7.0v
Yellow	595nm	7.8v	7.0v
Orange	610nm	7.8v	7.0v

With a forward current of 20mA

# 三、ELECTRICAL SPECIFICATIONS@25 °C:

1. Turn Ratio(±5%): 1CT:1CT
2. Inductance (100KHz/0.1V@ 8mA)350uH MIN
3. Insertion Loss (dB MAX): -1.0dB(1-65MHz)
4. Return Loss (dB TYP): -20dB(1-10MHz),-16dB(30MHz),-12dB(60-80MHz)
5. Cross Talk (dB MIN): -40dB(1-10MHz),-35dB(32-60MHz),-30dB(60-100MHz)
6. CMR (dB TYP): -30dB(1-50MHz),-20dB(50-130MHz)
7. HI-POT(Pri to Sec) : 1500Vrms/0.5mA/60Sec or 1650Vrms/0.5mA/2Sec
8. Operating Temperature: 0°C +70°C
9. RoHS compliance:YES

## RoHS Compliant

TOLERANCES ARE

**MORETHANALL**  
 PCB CONNECTORS  
 Cable ASSEMBLIES  
**煜倫股份有限公司**

DRAWING BY CY  
 CHECKED BY GENIUS  
 UNIT / mm SCALE 1 : 1  
 DATE  
 SIZE A4 PPROJECTION

X, ±  
 .X ±  
 .XX ±  
 .XXX ±  
 ANG ±

照片框

## ORDER INFORMATION

MUJT110UL-KX06GOYX-88AA-LF

SERIES

LEADFREE

8P8C TO AA TYPE  
 LEFT RIGHT  
 GREEN / ORANGE , YELLOW / X  
 06u" GOLD  
 NON EAR

DESCRIPTION: RJ45 1000 BASE-TX JACK / Dual USB Combo

www.morethanall.com

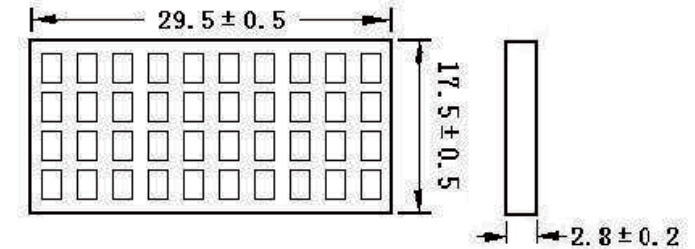
## 四、Mechanicals:

### Notes:

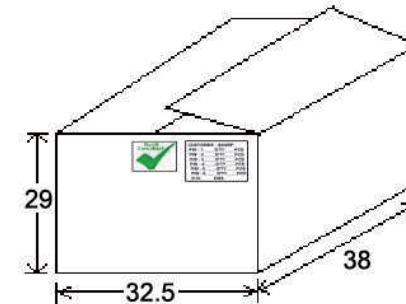
1. CONNECTOR MATERIAL:
  - 1.1 RJ45  
HOUSING: PBT BLACK UL94 V-0  
SHIELD: Brass  
CONTACT: PHOSPHOR BRONZE  
CONTACT PLATING: SELECTIVE GOLD, 6 MICRO-INCHS MIN IN CONTACT AREA
  - 1.2 USB2.0  
CONTACT: PHOSPHOR BRONZE  
CONTACT PLATING: SELECTIVE GOLD, 6 MICRO-INCHS MIN IN CONTACT AREA
2. PIN NOT ELECTRICALLY CONNECTED MAYBE OMITTED SEE ELECTRICAL DRAWING FOR OMITTED PINS
3. RJ45 CAVITIES CONFORM TO FCC RULES AND REGULATION PART 68.
4. OPERATING TEMPERATURE T=0° C TO +70° C.
5. STORAGE TEMPERATURE T=-40° C TO +85° C.

## 五、Packaging

1. packaging unit : 40 PCS/tray
2. packaging material : PET



3. outer carton unit 560 pcs/ 14 Trays/box



RoHS Compliant

TOLERANCES ARE

**MORETHANALL**  
PCB CONNECTORS  
Cable ASSEMBLIES

煜倫股份有限公司

www.morethanall.com

DRAWING BY CY

CHECKED BY GENIUS

UNIT / mm SCALE 1:1

DATE

SIZE A4

X. ±

.X ±

.XX ±

.XXX ±

ANG ±

PPOJECTION

照片框

ORDER INFORMATION

MUJT110UL-KX06GOYX-88AA-LF

SERIES

BLACK

06u" GOLD

NON EAR

LEADFREE

8P8C TO AA TYPE

LEFT RIGHT

GREEN / ORANGE , YELLOW / X

DESCRIPTION: RJ45 1000 BASE-TX JACK / Dual USB Combo