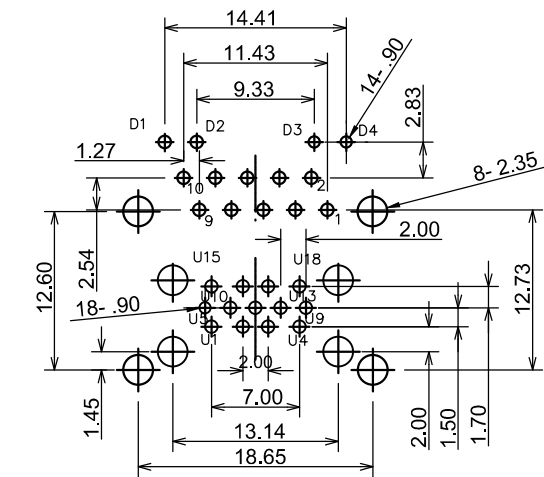
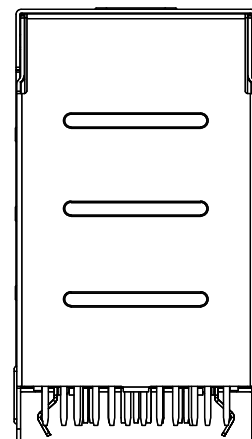
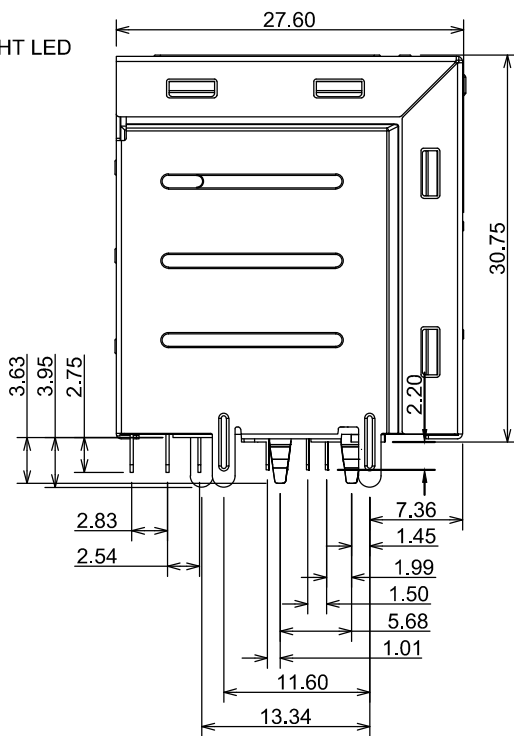
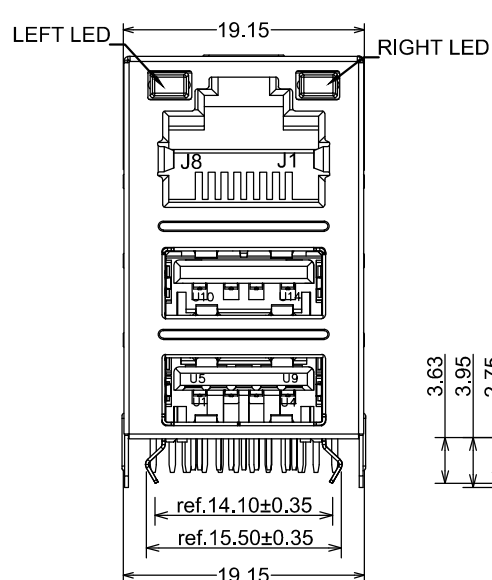
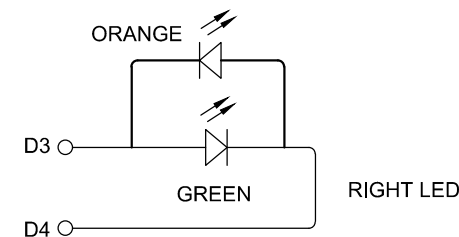
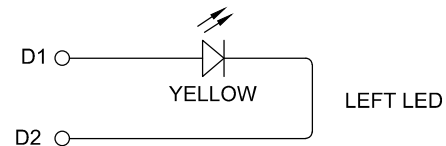


双层USB 上2.0黑胶 下3.0蓝胶



RECOMMENDED P.C.B. PATTERN LAYOUT
TOP VIEW (ALL TOLERANCE ARE:0.05mm)



MORETHANALL
PCB CONNECTORS
Cable ASSEMBLIES

煜倫股份有限公司

www.morethanall.com

RoHS Compliant

DRAWING BY CY

CHECKED BY GENIUS

UNIT / mm SCALE 1 : 1

DATE

SIZE A4

TOLERANCES ARE

X, ±
.X ± 0.25
.XX ± 0.15
.XXX ± 0.05
ANG ±

P PROJECTION

照片框

ORDER INFORMATION

MUJT110UL-KX03YXGO-88AA49-LF

SERIES

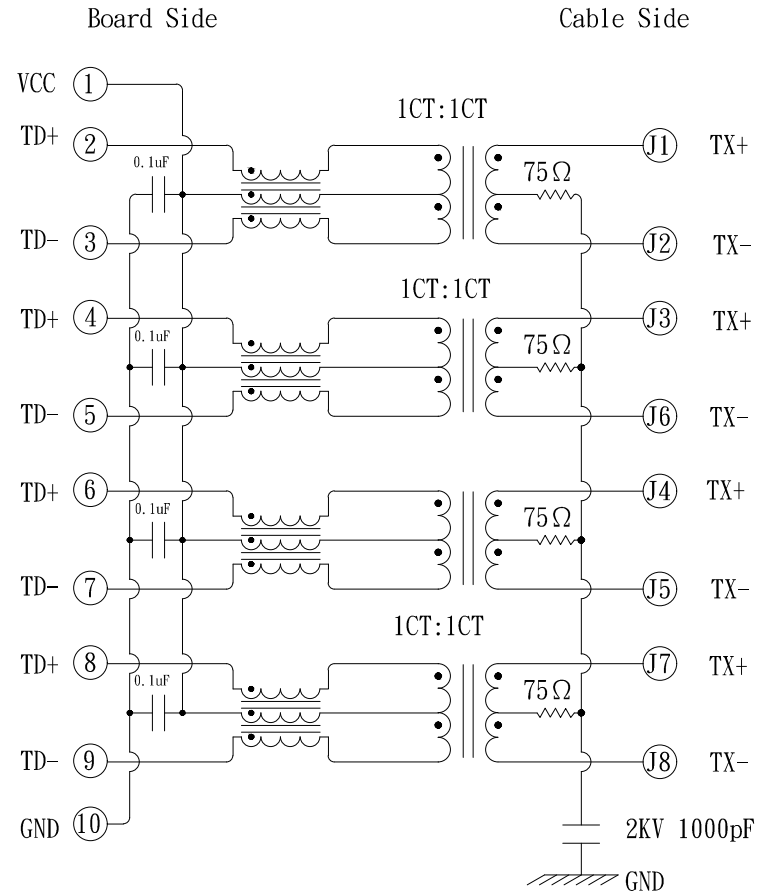
LEADFREE
8P8C+4A+9A
YELLOW, X / GREEN, ORANGE
03u" GOLD
NON EAR
BLACK

DESCRIPTION: RJ45 Connector W/2USB(Upper2.0, Lower3.0) GIGA BASE 左黄右绿橘

2. Notes :

- 1.Meets for exceeds IEEE802.3 standards including 350uH Min OCL with 8mA DC
- 2.High performance for EMI suppression. Crosstalk. Return Loss, Insertion Loss and consistent Electrical
- 3.Minimize PCB space and Simplify PCB Layout
- 4.Materials:
 - 4.1.Housing: Thermo plastics, ,BK,UL94V-0
 - 4.2.Insert Base : Thermo plastics..BK,UL94V-0
 - 4.3.Contact:Copper Alloy
 - 4.4.Shell: SPCC ,T=0.25mm, Nickel plating overall.
 - 4.5. PCB PIN: Tin Plating 80u" on solder tail area,
 - 4.6.RJ45 plating 6'u gold on contact area. USB plating flash gold on contact area.

3.Schematic :



4.Eletrical Specification @25°C :

Item	Specification	Test Condition
Application	1000 Base-T	
OCL	350uH Min	100KHz 0.1V 8mA DC Bias @ 0°C to 70°C
Leakage Inductance	0.4uH Max	100KHz 0.1V
DC Resistance	1.2 Ω Max	
Turn Ratio	1CT:1CT	100KHz 0.1V
Insertion Loss	-1.0dB Min	0.5-100 MHz
Return Loss	-16dB Max	0.5-30 MHz
	-12+20log(f/80)dB Max	30.1-80 MHz
	-10dB Max	80.1-100 MHz
Cross Talk	-35dB Max	0.5-40 MHz
	-33+20log(f/50)dB Max	40.1-100 MHz
CMRR	-30dB Max	0.5-100 MHz
Hi-pot Test(4pairs)	1mA Max	2250VDC
Operating Temperature	-40°C ~ +85°C	
Storage Temperature	-40°C ~ +85°C	

RoHS Compliant

TOLERANCES ARE

MORETHANALL
PCB CONNECTORS
Cable ASSEMBLIES

煜倫股份有限公司

www.morethanall.com

DRAWING BY CY

CHECKED BY GENIUS

UNIT / mm

SCALE 1 : 1

DATE

SIZE A4

PPOJECTION

X, ±
.X ± 0.25
.XX ± 0.15
.XXX ± 0.05
ANG ±

照片框

ORDER INFORMATION

MUJT110UL-KX03YXGO-88AA49-LF

SERIES

LEADFREE
8P8C+4A+9A
YELLOW,X / GREEN,ORANGE
03u" GOLD
NON EAR
BLACK

DESCRIPTION: RJ45 Connector W/2USB(Upper2.0, Lower3.0) GIGA BASE 左黃右綠橘