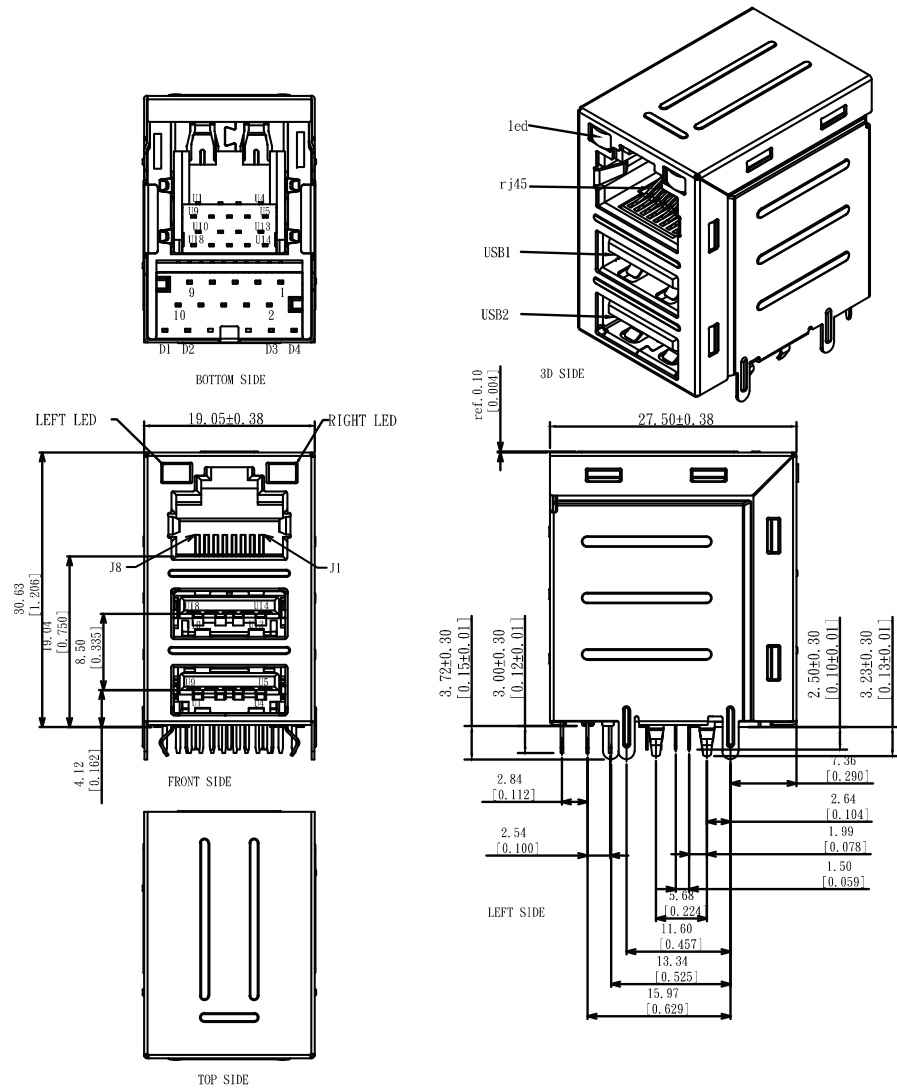
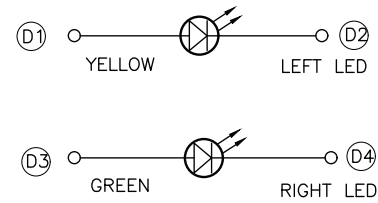


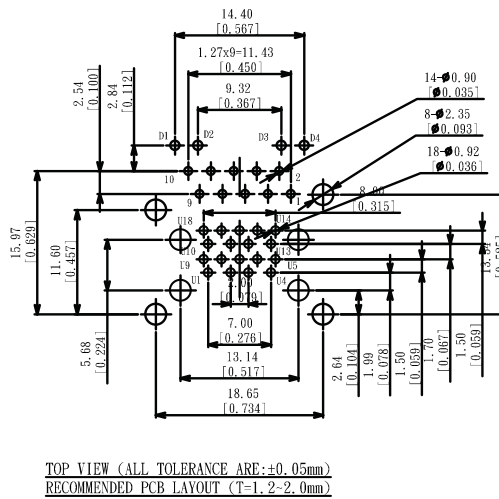
1.Mechanical:



2.LED specification :



LED Color	λ P(nm)	VF @IF=20mA	IR @VR=5V
GREEN	565	1.8~2.4 V	10 uA max
YELLOW	585	1.8~2.4 V	10 uA max
ORANGE	605	1.8~2.4 V	10 uA max



RoHS Compliant

TOLERANCES ARE

MORETHANALL
 PCB CONNECTORS
 Cable ASSEMBLIES
煜倫股份有限公司
 www.morethanall.com

DRAWING BY CY
 CHECKED BY GENIUS
 UNIT / mm SCALE 1 : 1
 DATE
 SIZE A4 PPROJECTION

X ±
 .X ± 0.25
 .XX ± 0.15
 .XXX ± 0.05
 ANG ±

照片框

ORDER INFORMATION

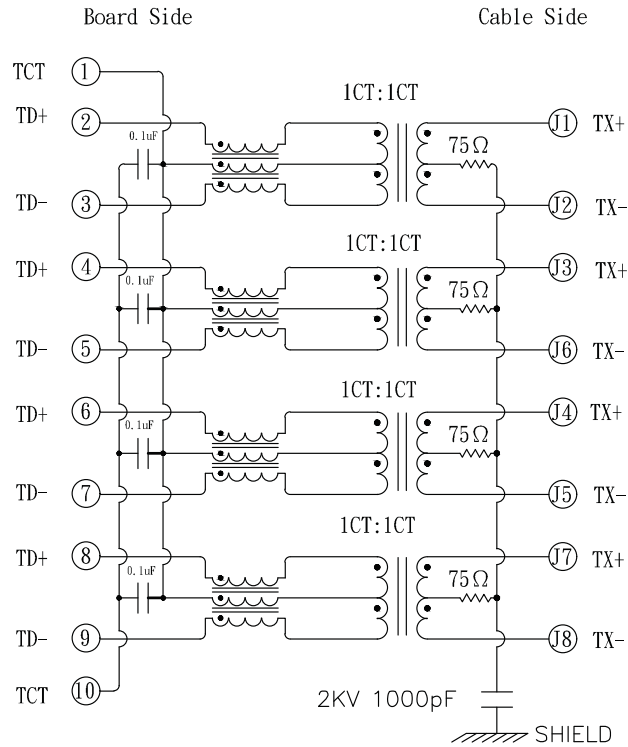
MUJT110UL-KX03YG-88AA99-LF

SERIES

LEADFREE
 8P8C+9A+9A
 YELLOW / GREEN
 03u" GOLD
 NON EAR
 BLACK

DESCRIPTION: RJ45+2xUSB3.2 GEN1 GIGA 左黄右绿 SUS

3.Schematic :



4.Eletrical Specification @25°C :

Item	Specification	Test Condition
Application	1000 Base-T	
OCL	350uH Min	100KHz 0.1V 8mA DC Bias @ 0°C to 70°C
Leakage Inductance	0.4uH Max	100KHz 0.1V
DC Resistance	1.2 Ω Max	
Turn Ratio	1CT:1CT	100KHz 0.1V
Insertion Loss	-1.1dB Min	0.5-100 MHz
Return Loss	-16dB Max	0.5-30 MHz
	-10+20log(f/80)dB Max	30.1-60 MHz
Cross Talk	-10dB Max	60.1-80 MHz
	-35dB Max	0.5-40 MHz
CMRR	-33+20log(f/50)dB Max	40.1-100 MHz
	-30dB Max	0.5-100 MHz
Hi-pot Test (4pairs)	1mA Max	2250VDC
Operating Temperature	0°C ~ +70°C	
Storage Temperature	-40°C ~ +85°C	

RoHS Compliant

TOLERANCES ARE

MORETHANALL
PCB CONNECTORS
Cable ASSEMBLIES

DRAWING BY CY

CHECKED BY GENIUS

UNIT / mm

SCALE 1 : 1

DATE

SIZE A4

PJECTION

X, ±
.X ± 0.25
.XX ± 0.15
.XXX ± 0.05
ANG ±

照片框

ORDER INFORMATION

MUJT110UL-KX03YG-88AA99-LF

SERIES

LEADFREE

8P8C+9A+9A

YELLOW / GREEN

03u" GOLD

NON EAR

BLACK

煜倫股份有限公司

www.morethanall.com

DESCRIPTION: RJ45+双U3.2 GEN1 GIGA 左黄右绿 SUS

5.USB3.0 STANDARD—A CONNECTOR PIN ASSIGNMENTS:

PIN NUMBER	SIGNAL NAME	DESCRIPTION
1 10	VBUS	POWER
2 11	D-	USB2.0 DIFFERENTIAL PAIR
3 12	D+	
4 13	GND	GROUND FOR POWER RETURN
5 14	StdA_SSRX-	SUPERSPEED RECEIVER DIFFERENTIAL PAIR
6 15	StdA_SSRX+	
7 16	GND_DRAIN	GROUND FOR SIGNAL RETURN
8 17	StdA_SSTX-	SUPERSPEED TRANSMITTER DIFFERENTIAL PAIR
9 18	StdA_SSTX+	

6.RJ45 CONNECTOR PIN ASSIGNMENTS:

PIN NUMBER	SIGNAL NAME	DESCRIPTION
J1	TX_D1 +	TRANCEIVE DATA+ (发信号+)
J2	TX_D1 -	TRANCEIVE DATA- (发信号-)
J3	RX_D2 +	RECEIVE DATA+ (收信号+)
J4	BI_D3 +	BI-DIRECTIONAL DATA+ (双向数据+)
J5	BI_D3 -	BI-DIRECTIONAL DATA- (双向数据-)
J6	RX_D2 -	RECEIVE DATA- (收信号-)
J7	BI_D4 +	BI-DIRECTIONAL DATA+ (双向数据+)
J8	BI_D4 -	BI-DIRECTIONAL DATA- (双向数据-)

7. Notes :

- RJ45
- Designed to support application, such as SOHO(ADSL modems)
LAN-on-Motherboard(LOM), hub and Switches.
 - Meets IEEE802.3 specification.
 - Connector Material:
3-1.Housing&insertion Base: Thermo plastics PBT+30%GF, UL94V-0.
 - RJ45 Terminal:
4-1.Phosphor Bronze C5191.Thickness=0.30mm.
4-2.6u Gold plating on RJ45 contact area.
4-3. Tin Plating 80u" on solder tail area
4-4.45u" min Ni underplating over all.
 - Shell: SUS .Thickness=0.25mm.Pre-soldering .
USB:
8.Material Specification:
8-1.Cover:PA66&PBT+30%G.F, UL94V-0.Color:blue.
8-2.Housing:PA66&PBT+30%G.F, UL94V-0.Color:blue.
8-3.Shell:SUS ,Thickness=0.25mm.
8-4.Contacts:Brass(C2680) T=0.20.
 - Plating Specification:
9-1.Contacts:Au G/Fu" & 80u"matte Tin plated & 50u"Nickel plated
9-2.Front Shell: 50u"MIN mattein Tin plating on solder tails over 20u"MIN Nickel
9-3.Middle Bullet:80u"Nickel plated & 50u"copper plated
 - Mechanical Performance.
10-1.Insertion Force:3.5Kgf MAX.
10-2.Extraction Force:1.0-3.5Kgf.
10-3.Durability:1500 cycles .
 - Electrical Performance:
11-1.Insulation Resistance:100M MIN.
11-2.Delectric Withstand Voltage:AC 100V for 1 minute.
 - Wave Solder:
The Connector Shall Be mounted on the PCB.

RoHS Compliant

TOLERANCES ARE

MORETHANALL
PCB CONNECTORS
Cable ASSEMBLIES

煜倫股份有限公司

www.morethanall.com

DRAWING BY CY

CHECKED BY GENIUS

UNIT / mm SCALE 1 : 1

DATE

SIZE A4 PPROJECTION

X, ±
.X ± 0.25
.XX ± 0.15
.XXX ± 0.05
ANG ±

照片框

ORDER INFORMATION

MUJT110UL-KX03YG-88AA99-LF

SERIES

LEADFREE
8P8C+9A+9A
YELLOW / GREEN
03u" GOLD
NON EAR
BLACK

DESCRIPTION: RJ45+双U3.2 GEN1 GIGA 左黄右绿 SUS