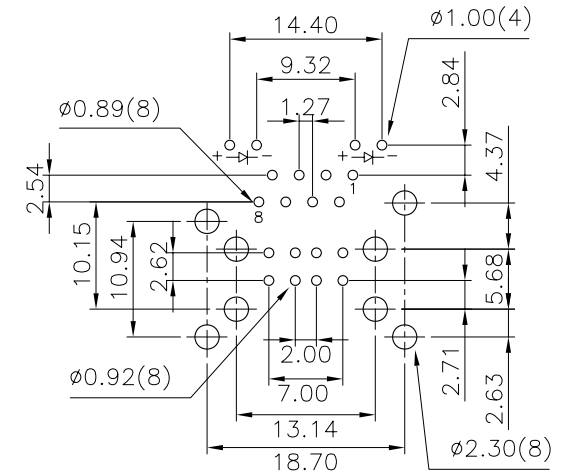
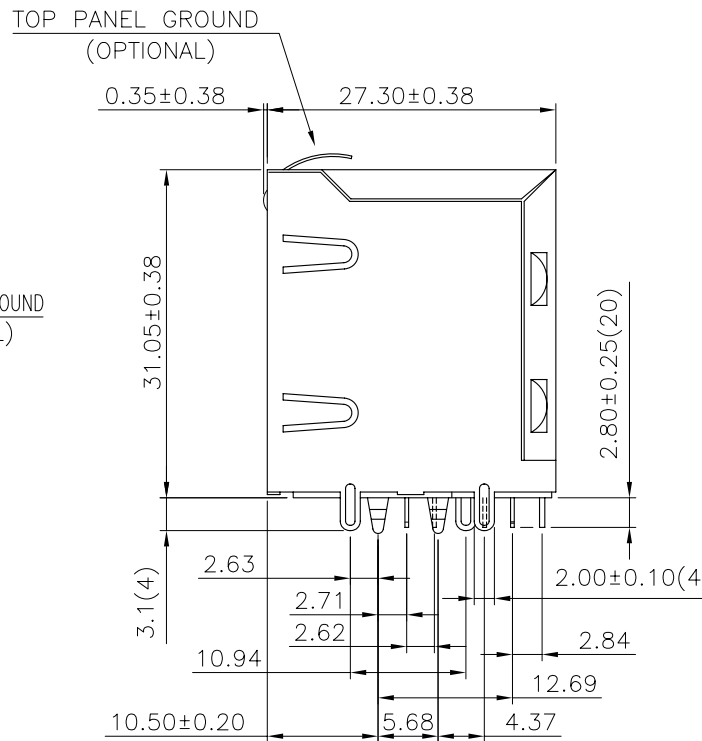
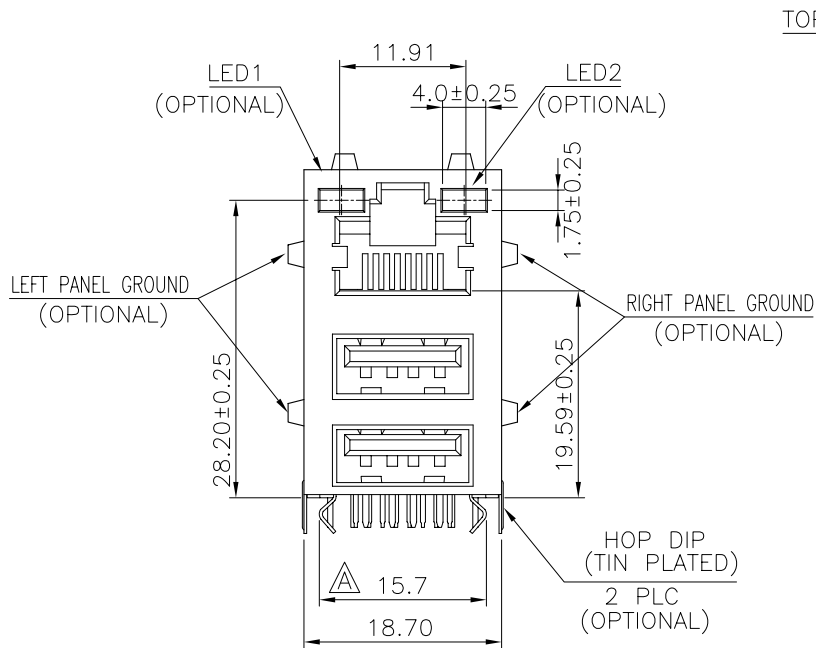


- MATERIAL:
- HOUSING—PBT POLYESTER UL94V-0
MIXED FIBER GLASS.
STANDARD COLOR—BLACK.
 - CONTACTS—0.35mm THICK PHOS-BRONZE PLATED
WITH HARD GOLD AND TIN/LEAD IN
SOLDER AREA.
 - SHIELD—0.20mm THICK COPPER ALLOY,
PLATED WITH NICKEL OR TIN/LEAD.
CAVITY CONFIRMS TO FCC RULES AND REGULATIONS
PART 68,SUBPART F.



PCB LAYOUT

Ref.

RoHS Compliant

TOLERANCES ARE

MORETHANALL
PCB CONNECTORS
Cable ASSEMBLIES

DRAWING BY CY

X. ±

CHECKED BY GENIUS

.X ± 0.25

UNIT / mm

SCALE 1 : 1

.XX ± 0.13

.XXX ± 0.05

ANG ±

DATE

SIZE A4

P PROJECTION

照片框

ORDER INFORMATION

MUJT110UL-KF06xx-88AA-LF

SERIES

LEADFREE

8P8C TO AA TYPE

GY: GREEN / YELLOW

GG: GREEN / GREEN

BLACK 06: GOLD 6u"

FULL SPRING

煜倫股份有限公司

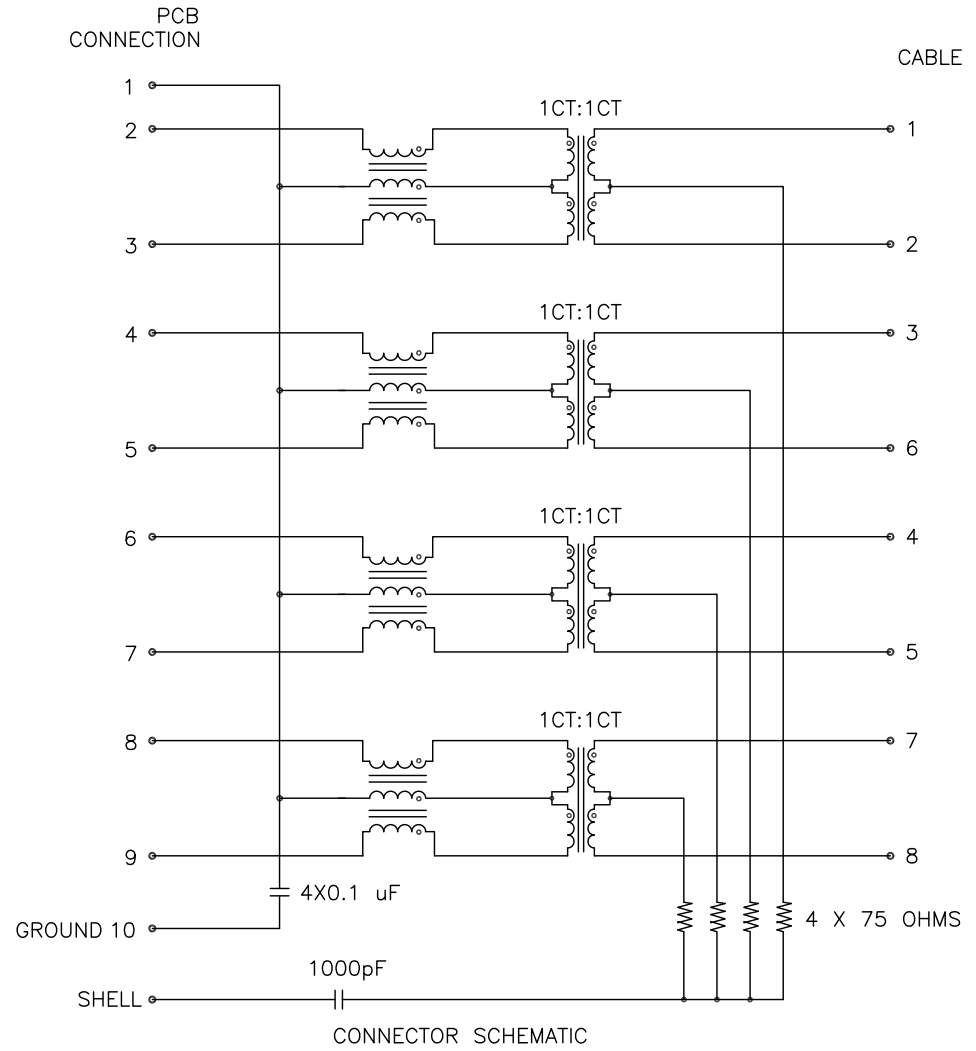
www.morethanall.com

DESCRIPTION: 2X1PORT, RJ45+USB, SHIELD, WITH LED, WITH TRANSFORMER, RECEPTACLE CONNECTOR

TRANSFORMER

ELECTRICAL CHARACTERISTICS

1. TURNS RATIO($\pm 5\%$):
1CT : 1CT
2. INSERTION LOSS:
-1.15 dB MAXIMUM AT 1MHz TO 100MHz
3. RETURN LOSS:
-20dB TYP AT 1MHz TO 10MHz
-16dB TYP AT 10MHz TO 30MHz
-12dB TYP AT 30MHz TO 60MHz
-10dB TYP AT 60MHz TO 80MHz
4. CROSS TALK:
-40dB TYP AT 1MHz TO 30MHz
-35dB TYP AT 30MHz TO 60MHz
-30dB TYP AT 60MHz TO 100MHz
5. COMMON MODE REJECTION:
-30dB TYP AT 1MHz TO 50MHz
-20dB TYP AT 50MHz TO 150MHz



RoHS Compliant

TOLERANCES ARE

MORETHANALL
PCB CONNECTORS
Cable ASSEMBLIES

煜倫股份有限公司

www.morethanall.com

DRAWING BY CY

CHECKED BY GENIUS

UNIT / mm SCALE 1 : 1

DATE

SIZE A4

X. \pm
.X \pm
.XX \pm
.XXX \pm
ANG \pm

P PROJECTION

照片框

ORDER INFORMATION

MUJT110UL-KF06xx-88AA-LF

SERIES

LEADFREE

8P8C TO AA TYPE

GY: GREEN / YELLOW
GG: GREEN / GREEN

BLACK 06: GOLD 6u"
FULL SPRING

DESCRIPTION: TRANSFORMER SPECIFICATION