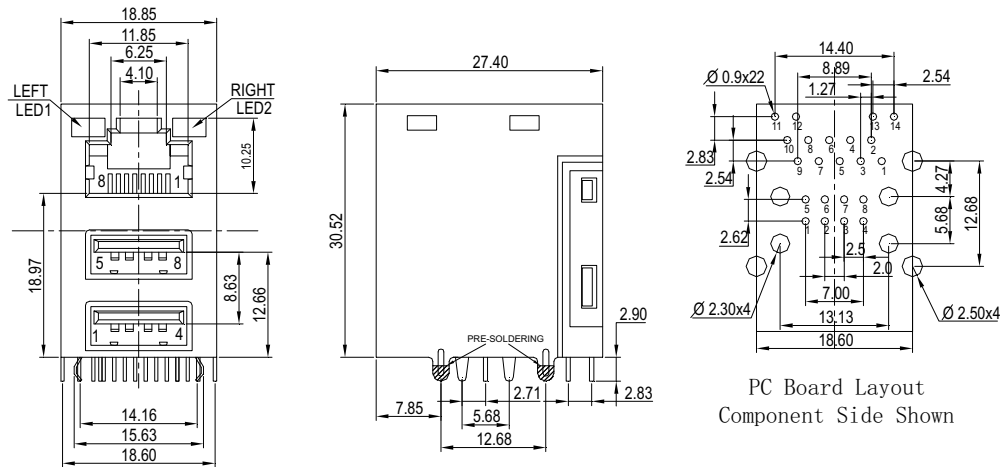
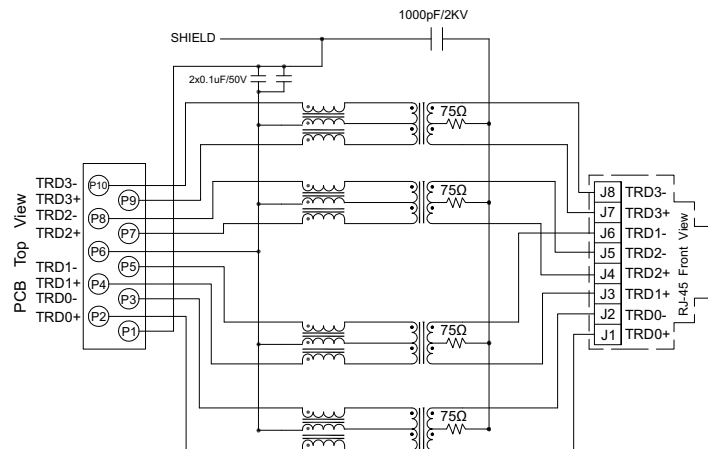


## 一、Mechanical Dimensions



UNIT:mm Unless otherwise specified, all tolerances are  $\pm 0.25$

## 二、Schematics



Standard LED	Wavelength	Forward*V(MAX)	TYP
Green	565nm	2.5v	2.2v
Yellow	585nm	2.5v	2.1v
Orange	610nm	2.5v	2.1v

With a forward current of 20mA

## 三、ELECTRICAL SPECIFICATIONS@25°C:

1. Turn Ratio(?%): 1CT:1CT
2. OCL(100KHz/0.1V@ 8mA): 350uH MIN
3. Insertion Loss (dB MAX): -1.0dB(1-100MHz)
4. Return Loss (dB MIN): -16dB(1-30MHz),-13.5dB(30-60MHz),-12dB(60-80MHz)  
-10dB(80-100MHz)
5. Cross Talk (dB MIN): -27dB(1-100MHz)
6. CMR (dB MIN): -30dB(1-100MHz),-15dB(100-200MHz)
7. HI-POT(Pri to Sec) : 1500Vrms
8. Operating Temperature: 0°C ~+70°C
9. RoHS compliance: YES

RoHS Compliant

TOLERANCES ARE

**MORETHANALL**  
PCB CONNECTORS  
Cable ASSEMBLIES

DRAWING BY CY

X,  $\pm$

CHECKED BY GENIUS

.X  $\pm$

UNIT / mm

SCALE 1 : 1

.XXX  $\pm$

DATE

ANG  $\pm$

SIZE A4

P PROJECTION

照片框

ORDER INFORMATION

MUJT016UL-KX06GOYX-88AA

SERIES

8P8C TO AA TYPE

LED2 / LED1

GREEN/ORANGE / YELLOW

BLACK | 06u" GOLD

NON EAR

煜倫股份有限公司

www.morethanall.com

DESCRIPTION: RJ45 1000 BASE-TX JACK / Dual USB Combo

#### 四、Mechanicals:

**Housing Material:** NYLON66

**Insert Material:**

RJ Upper Support : NYLON66 UL 94V-0

Contact : Phosphor Bronze

Plating Gold(6u " ~50u " )

**Contact pin Material:**

RJ Upper Support : NYLON66 UL 94V-0

Contact : SUS430

**Shielding Material:**

1.MATERIAL : BRASS, C2680R-H

2.MATERIAL : STAINLESS, SUS

**USB:**

Housing : Thermoplastic UL94V-0 Black.

Contact: Copper Alloy(t=0.25mm)

Shell:Copper Alloy (t=0.30mm)

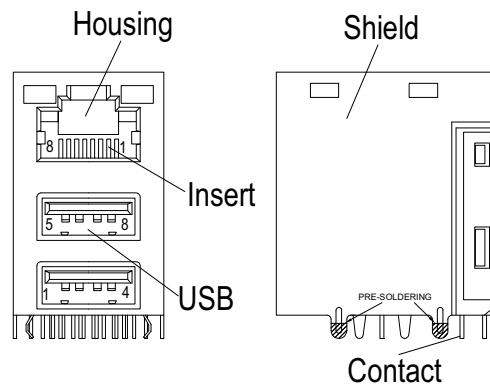
Solder Tail Tin Plated Contact Area 1u" Gold Plated

#### Environmental

1.Storage Temp:-40℃TO +85℃.

2.Operating Temp: 0℃TO +70℃..

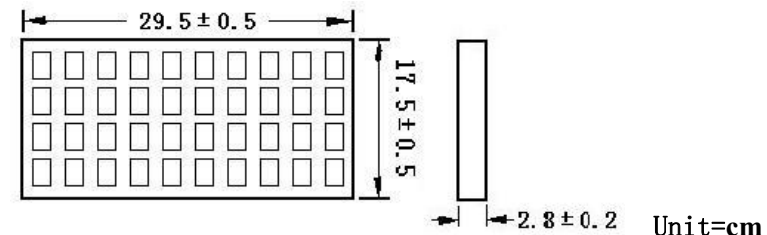
3. MATES WITH MODULAR PLUG CONFORMING TO FCC PART 68,SUBPARTF.



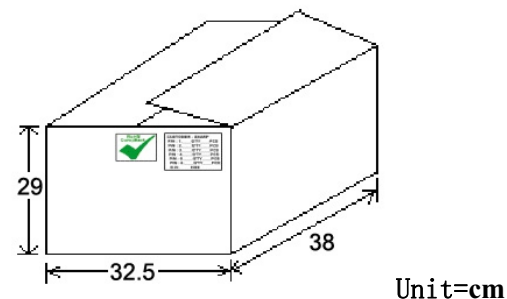
#### 五、Packaging

1. packaging unit : 40 PCS/tray

2. packaging material : PET



3. outer carton unit : 640 pcs/ 16 Trays/box



煜倫股份有限公司

www.morethanall.com

**RoHS Compliant**

DRAWING BY CY

CHECKED BY GENIUS

UNIT / mm SCALE 1 : 1

DATE

SIZE A4 PPROJECTION

TOLERANCES ARE

X. ±

.X ±

.XX ±

.XXX ±

ANG ±

照片框

**ORDER INFORMATION**

MUJT016UL-KX06GOYX-88AA

SERIES

BLACK | 06u" GOLD  
NON EAR

8P8C TO AA TYPE

LED2 / LED1

GREEN/ORANGE / YELLOW

DESCRIPTION: RJ45 1000 BASE-TX JACK / Dual USB Combo