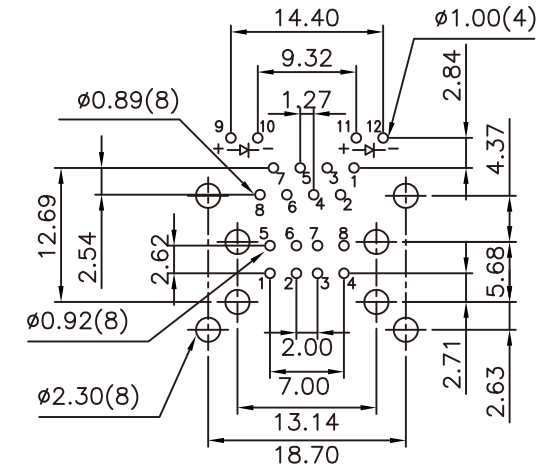
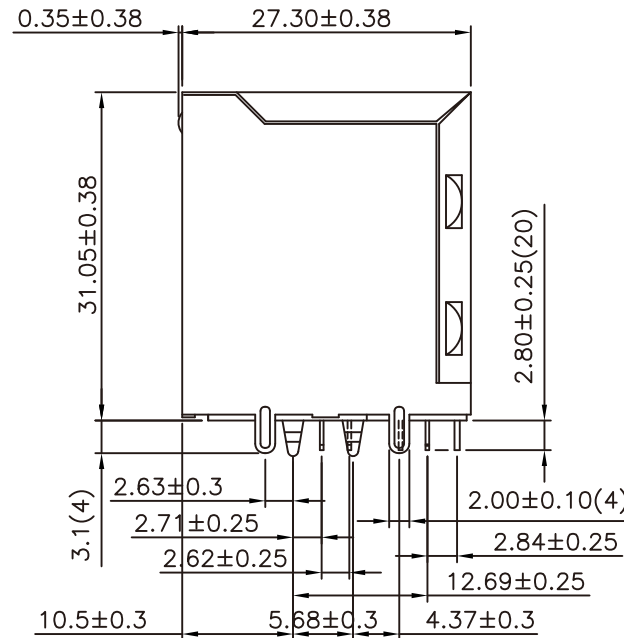
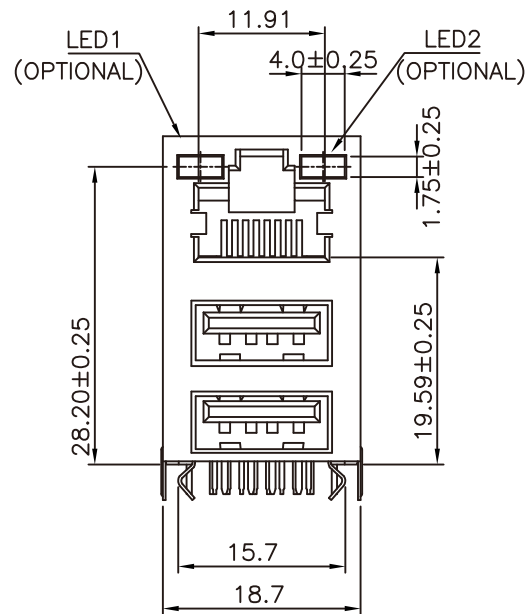


MATERIAL:

- HOUSING—PBT POLYESTER UL94V-0 MIXED FIBER GLASS. STANDARD COLOR—BLACK.
 - CONTACTS—0.35mm THICK PHOS-BRONZE PLATED WITH HARD GOLD AND GOLD FLASH IN SOLDER AREA.
 - SHIELD—0.20mm THICK COPPER ALLOY, PLATED WITH NICKEL.
- CAVITY CONFIRMS TO FCC RULES AND REGULATIONS PART 68,SUBPART F.



PCB LAYOUT

Ref.

RoHS Compliant

TOLERANCES ARE



煜倫股份有限公司

www.morethanall.com

DRAWING BY CY		X, ± .X ± 0.25 .XX ± 0.13 .XXX ± 0.05 ANG ±
CHECKED BY GENIUS		
UNIT / mm	SCALE 1 : 1	
DATE		
SIZE A4	P PROJECTION	

照片框

ORDER INFORMATION

MUJL-Rxx-88AA-LF

SERIES | LEADFREE
8P8C TO 4 PIN A TYPE
LED1
LED2
GY: GREEN / YELLOW
YG: YELLOW / GREEN
DIP 90°

DESCRIPTION: 2X1PORT, RJ45+USB, SHIELD, WITH LED, WITHOUT TRANSFORMER, RECEPTACLE CONNECTOR