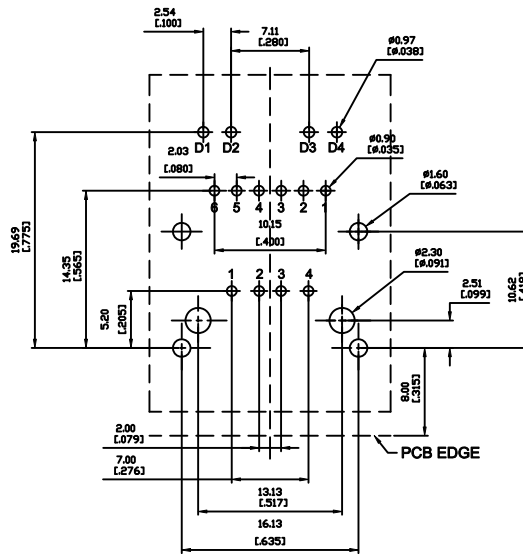
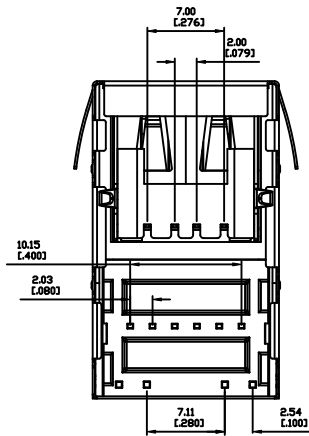
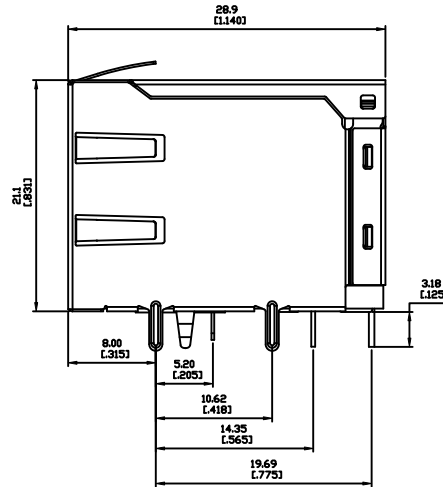
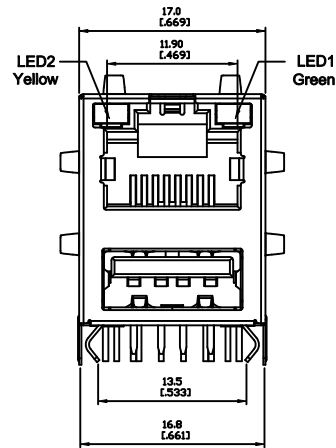


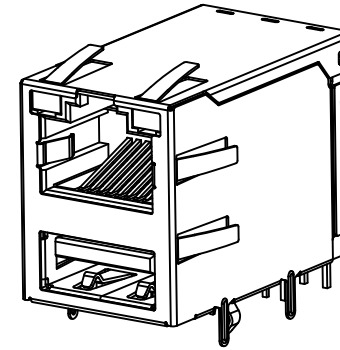
1. MECHANICAL DIMENSIONS:



RECOMMENDED PCB LAYOUT
TOP VIEW

Material:

- 1.Housing: Thermoplastic UL 94V-0
- 2.Contact : Selective Gold Plating
- 3.RJ Terminal: 0.35mm Thickness Phosphor Bronze Plated With Gold And Tin In Solder Area.
4. USB Terminal: 0.25mm Thickness Phosphor Bronze Plated With Gold And Tin In Solder Area.
- 5.Front Shell: SUS, T=0.20±0.01mm
Back Shell: BRASS, T=0.20±0.01mm



RoHS Compliant

TOLERANCES ARE

MORETHANALL
PCB CONNECTORS
Cable ASSEMBLIES

煜倫股份有限公司

www.morethanall.com

DRAWING BY CY

CHECKED BY GENIUS

UNIT / mm SCALE 1 : 1

DATE

SIZE A4

X, ±
.X ±
.XX ±
.XXX ±
ANG ±

PJECTION

照片框

ORDER INFORMATION

MUJL-RYG-86A1-LF

SERIES | LEADFREE
8P6C TO A TYPE
YELLOW / GREEN
DIP 90°

DESCRIPTION: RJ45+USB A Type Daul,w/LED,8P,6C,Shielded / Thru-Hole