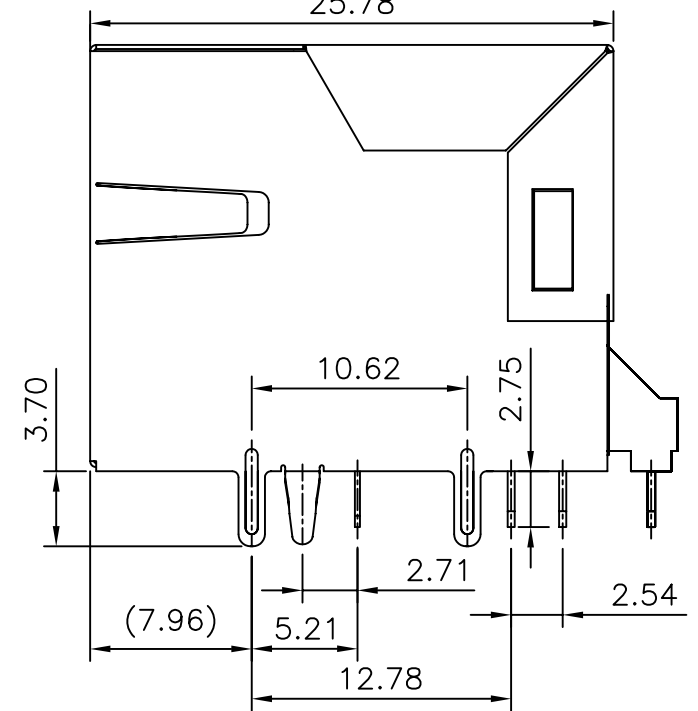
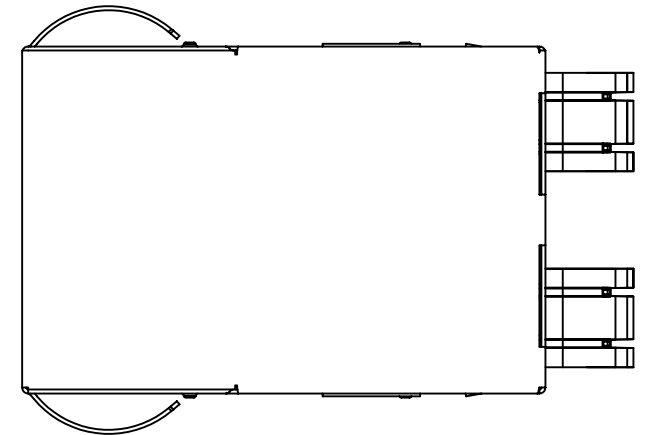
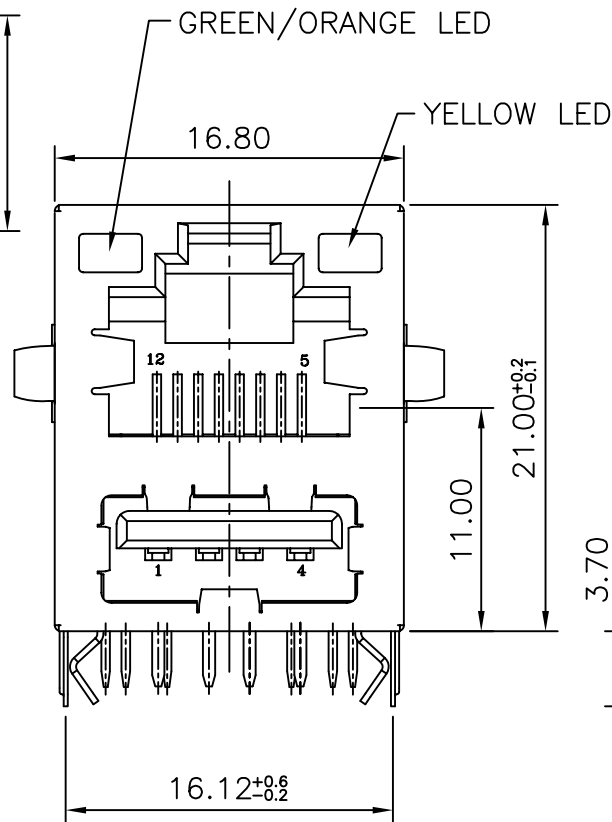


PCB LAYOUT/TOP VIEW

MATERIALS:  
 HOUSING:ENGINEERING THERMOPLASTIC  
 FLAMMABILITY RATING UL 94V-0.  
 CONTACTS:PHOSPHOR BRONZE  
 PLATING:GOLD PLATING OVER NICKEL IN CONTACT  
 COLOR: BLACK  
 \*WAVE SOLDER CAPABLE TO 265°C  
 ※凡標註△記號者,為品管檢驗之尺寸



RoHS Compliant

TOLERANCES ARE

**MORETHANALL**  
 PCB CONNECTORS  
 Cable ASSEMBLIES

DRAWING BY CY

CHECKED BY GENIUS

UNIT/mm SCALE 1:1

DATE

SIZE A4

X.±  
 .X±  
 .XX±  
 .XXX±  
 ANG±

PJECTION

照片框

ORDER INFORMATION

MUJL-RSGOYX-88A1-LF

SERIES

LEADFREE  
 8P8C TO A TYPE  
 GREEN ORANGE / YELLOW  
 SPRING  
 DIP 90°

煜倫股份有限公司

www.morethanall.com

DESCRIPTION: