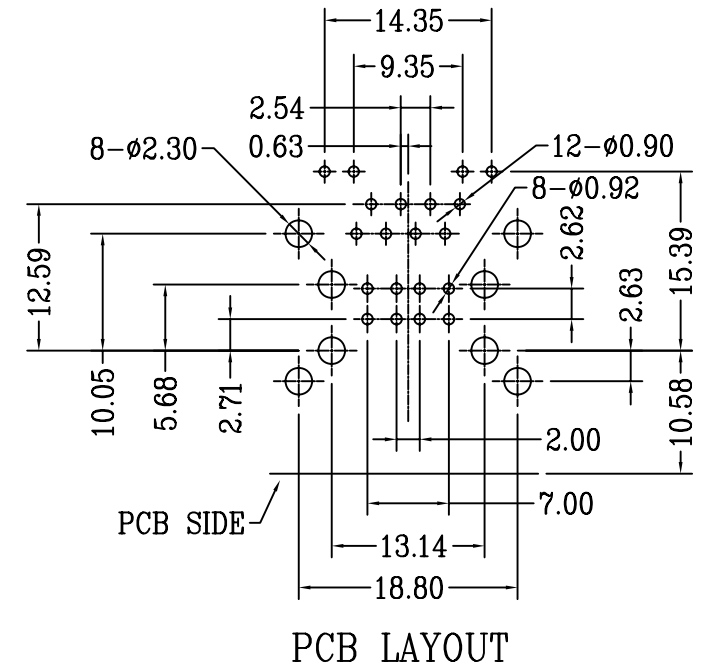
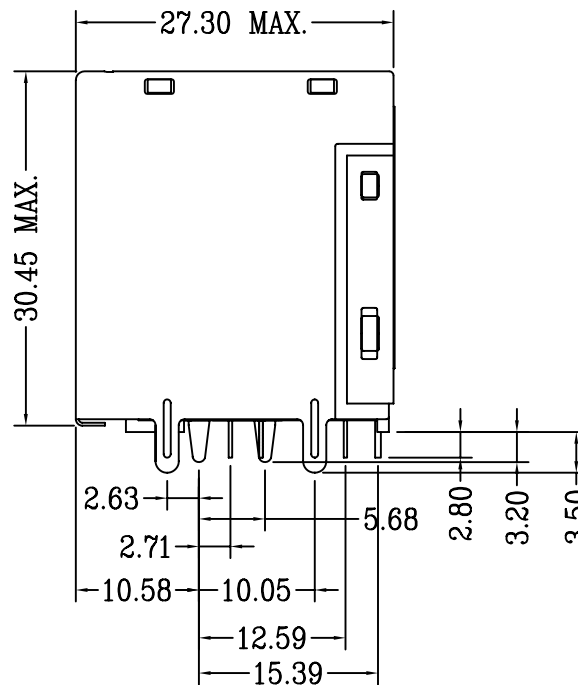
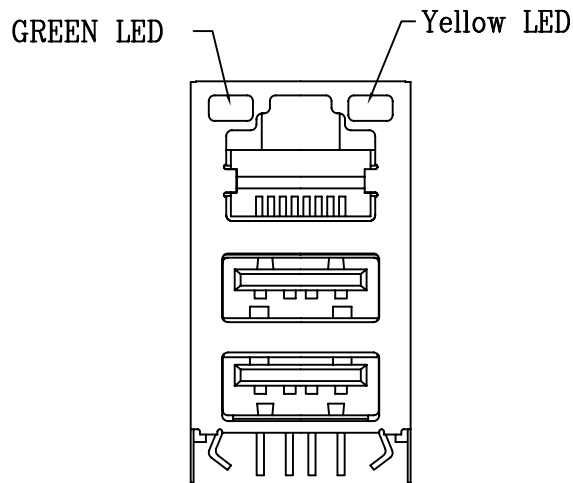


NOTES:

1. MATERIAL:

Terminal: phose broze  
 Housing: PBT-BK 94v-0  
 Shiel: brass

2. Spec see USB and RJ45 spec



RoHS Compliant

TOLERANCES ARE

**MORETHANALL**  
 PCB CONNECTORS  
 Cable ASSEMBLIES

DRAWING BY CY

CHECKED BY GENIUS

UNIT / mm SCALE 1 : 1

DATE

SIZE A4

X.±  
 .X±  
 .XX±  
 .XXX±  
 ANG±

PJECTION

照片框

ORDER INFORMATION

MUJL-RGY-88AA-LF

SERIES LEADFREE  
 8P8C TO AA TYPE  
 GREEN/YELLOW  
 DIP 90°

煜倫股份有限公司

www.morethanall.com

DESCRIPTION: RJ45 + USB X 2 + LED