

NOTES:

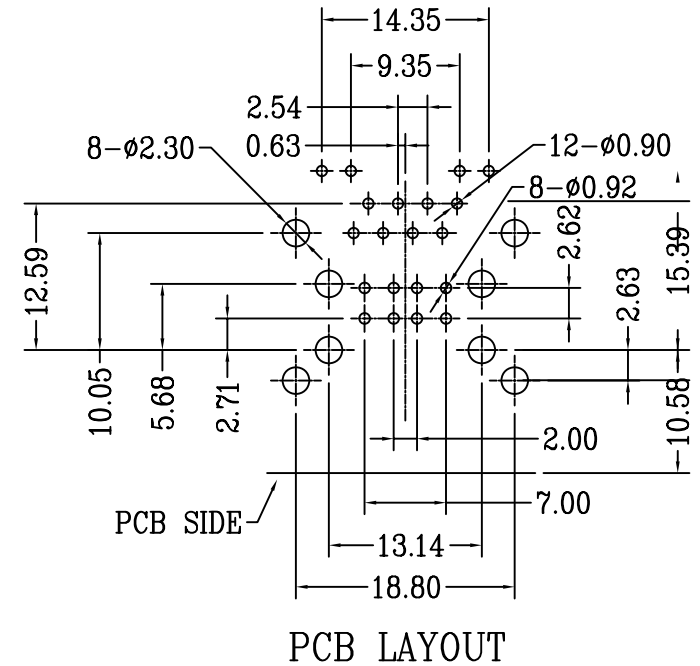
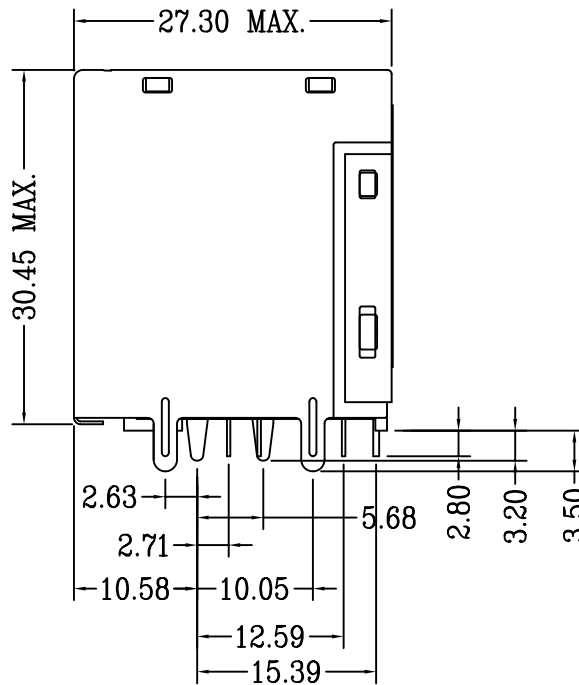
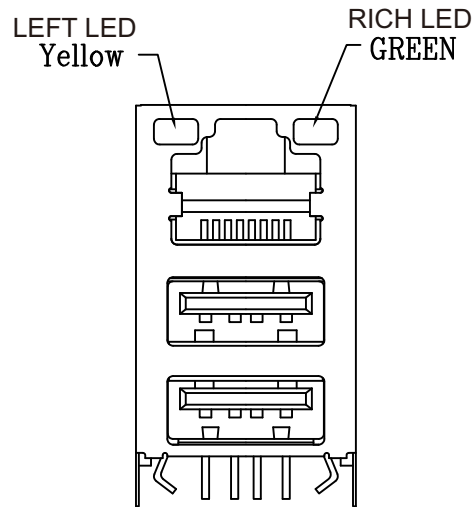
1. MATERIAL:

Terminal: phase broze

Housing: PBT-BK 94v-0

Shiel: brass

2. Spec see USB and RJ45 spec



RoHS Compliant

TOLERANCES ARE

MORETHANALL
PCB CONNECTORS
Cable ASSEMBLIES

DRAWING BY CY

X. ±

CHECKED BY GENIUS

.X ± 0.30

UNIT / mm

SCALE 1 : 1

.XX ± 0.20

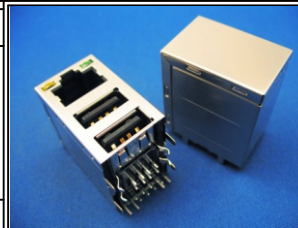
.XXX ± 0.10

ANG ±

DATE

SIZE A4

P PROJECTION



ORDER INFORMATION

MUJL-KX06YG-88AA-LF

SERIES

DIP 90°

NON EAR

06u" GOLD

LEADFREE

A+A TYPE

8P8C

LEFT LED / RIGHT LED

YELLOW / GREEN

煜倫股份有限公司

www.morethanall.com

DESCRIPTION: RJ45 + USB X 2 + LED