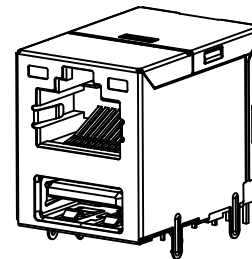
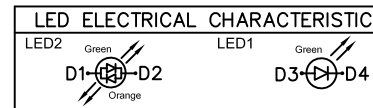


RECOMMENDED PCB LAYOUT
TOP VIEW
TOLERANCE:±0.05mm
PCB THICKNESS: 1.60±0.05mm

Electrical Characteristics :
Insulation Resistance : 500MΩ Min.
Contact Resistance : 50mΩ Max.
Withstand Voltage : 1000 VAC 1 minute.
Current Rating : 1.5A

Material:
Housing: Thermoplastic , UL94V-0
Contact : Selective Gold Plating
Terminal: 0.35mm(RJ) & 0.25mm(USB)Thickness Copper Alloy
Plated With Gold And Tin In Solder Area.
Front Shell: Alloy ,Nickel Plating
Back Shell : Alloy



Gold Plated		
Pin No.	M.J.	USB
0	Gold Flash	
1	6u"	Gold Flash
2	15u"	
3	30u"	
4	50u"	
5	Gold Flash	30u"
6	6u"	
7	15u"	
8	30u"	
9	50u"	

RoHS Compliant

TOLERANCES ARE

MORETHANALL
PCB CONNECTORS
Cable ASSEMBLIES
煜倫股份有限公司

DRAWING BY CY

X, ±
.X ± 0.25
.XX ± 0.15
.XXX ± 0.075
ANG ±

CHECKED BY GENIUS

UNIT / mm SCALE 1 : 1

DATE

SIZE A4

PJECTION

照片框

ORDER INFORMATION

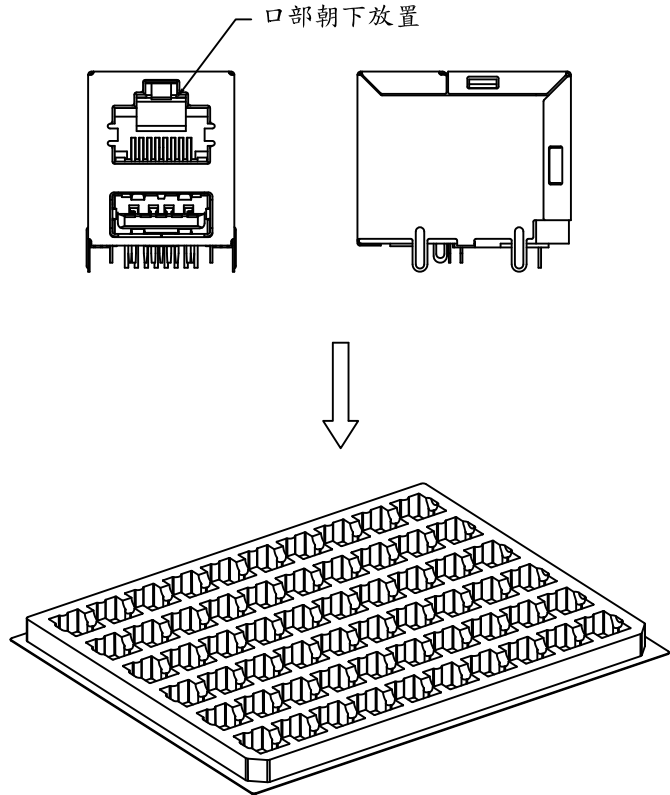
MUJL-KX06GOGX-88A1-LF

SERIES | | | | LEADFREE
8P8C TO USB A TYPE
LED1:GREEN
LED2:GREEN/ORANGE
BLACK | | | | 06u" GOLD
NON EAR

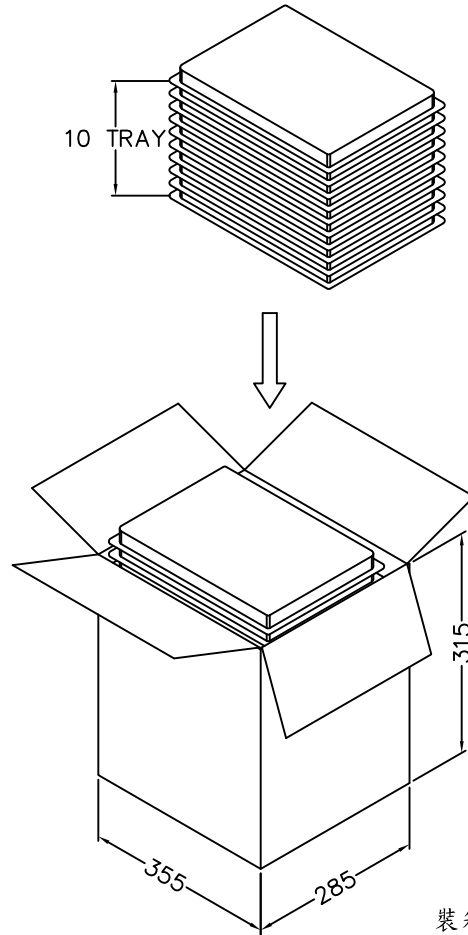
DESCRIPTION: RJ45 & USB , Shielded , Receptacle Horizontal , 2x1 Ports , Tht , With LED

www.morethanall.com

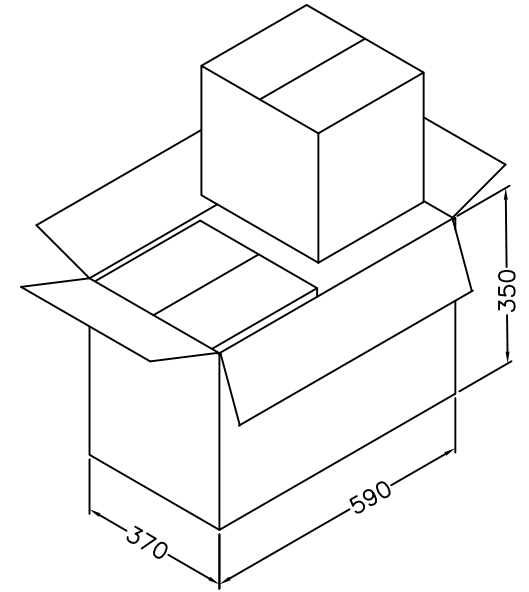
1. 包材: 真空盒上下蓋各 1 PC
 流程單編號標籤 1 PC
 無鉛製程標籤 (Pb) 1 PC
 數量: 1*60=60 PCS
 PACKING MATERIAL: PVC TRAY 1 PC
 Q'TY: 1*60=60 PCS



2. 包材: 內箱 1 PC
 無鉛製程標籤 (Pb) 1PC
 數量: 60*10=600 PCS
 PACKING MATERIAL: CARTON 1 PC
 Q'TY: 60*10=600 PCS



3. 外箱尺寸
 外箱=2內箱(1200PCS)



淨毛重
 單位(KG)
 數量
 單位(PCS)

裝外箱OK

P/N	N.W.	G.W.	Q'TY
MUJL-KX06GOGX-88A1	16.5Kg	21.5±0.3Kg	1200PCS

RoHS Compliant

TOLERANCES ARE

MORETHANALL
 PCB CONNECTORS
 Cable ASSEMBLIES

DRAWING BY CY

X.±

CHECKED BY GENIUS

.X±

UNIT / mm

SCALE 1:1

.XX±

DATE

.XXX±

ANG±

SIZE A4

PPOJECTION

照片框

ORDER INFORMATION

MUJL-KX06GOGX-88A1-LF

SERIES

|

|

|

|

|

|

|

|

|

|

|

|

|

|

|

|

|

|

BLACK

06u" GOLD

NON EAR

LEADFREE

8P8C TO USB A TYPE

LED1:GREEN

LED2:GREEN/ORANGE

煜倫股份有限公司

www.morethanall.com

DESCRIPTION: