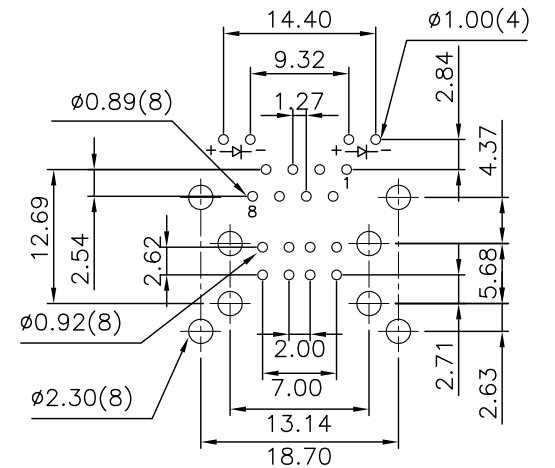
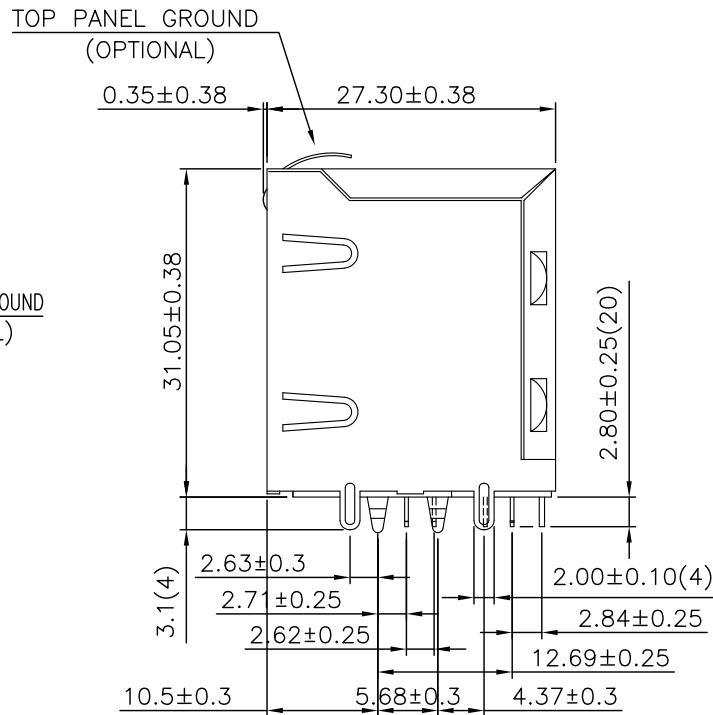
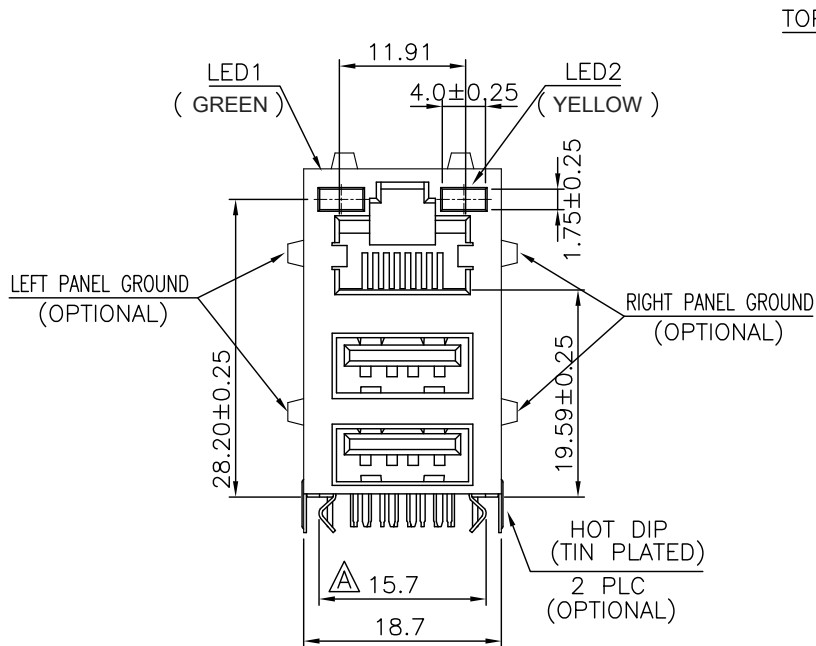


MATERIAL:

- HOUSING—PBT POLYESTER UL94V-0 MIXED FIBER GLASS. STANDARD COLOR—BLACK.
 - CONTACTS—0.35mm THICK PHOS—BRONZE PLATED WITH HARD GOLD AND GOLD FLASH IN SOLDER AREA.
 - SHIELD—0.20mm THICK COPPER ALLOY, PLATED WITH NICKEL.
- CAVITY CONFIRMS TO FCC RULES AND REGULATIONS PART 68,SUBPART F.



PCB LAYOUT
Ref.

RoHS Compliant

TOLERANCES ARE

MORETHANALL
PCB CONNECTORS
Cable ASSEMBLIES

DRAWING BY CY

X, ±

CHECKED BY GENIUS

.X ± 0.25

UNIT / mm

SCALE 1 : 1

.XX ± 0.13

DATE

.XXX ± 0.05

ANG ±

SIZE A4

P PROJECTION

照片框

ORDER INFORMATION

MUJL-KF06GY-88AA

SERIES 8P8C to A+A TYPE

LED1 / LED2
GREEN / YELLOW

BLACK 06u" GOLD
FULL SPRING

煜倫股份有限公司

www.morethanall.com

DESCRIPTION: 2X1PORT, RJ45+USB, SHIELD, WITH LED, WITHOUT TRANSFORMER, RECEPTACLE CONNECTOR