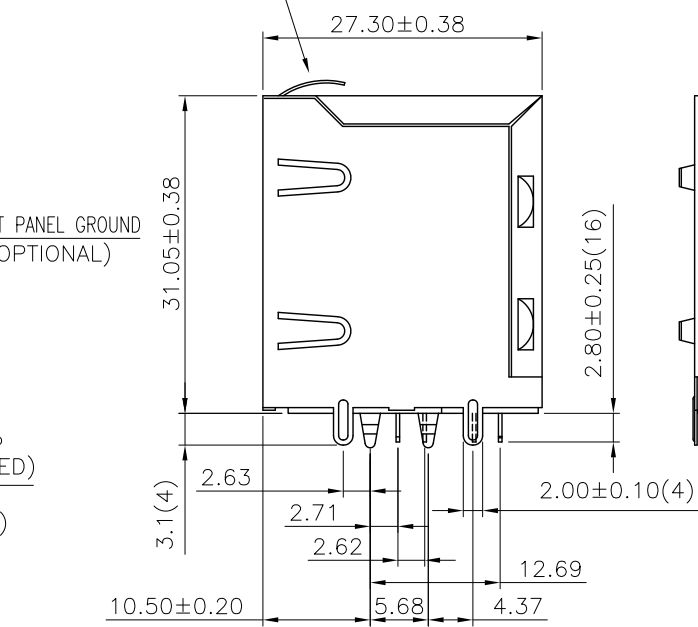
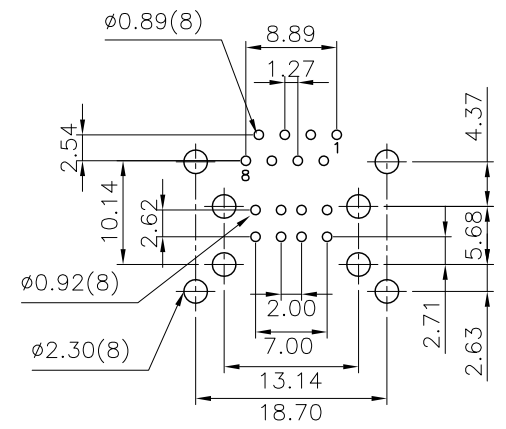
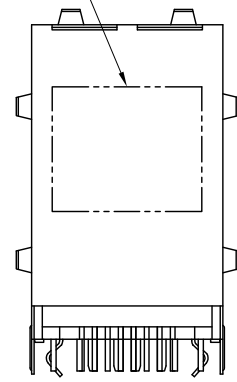


TOP PANEL GROUND (OPTIONAL)

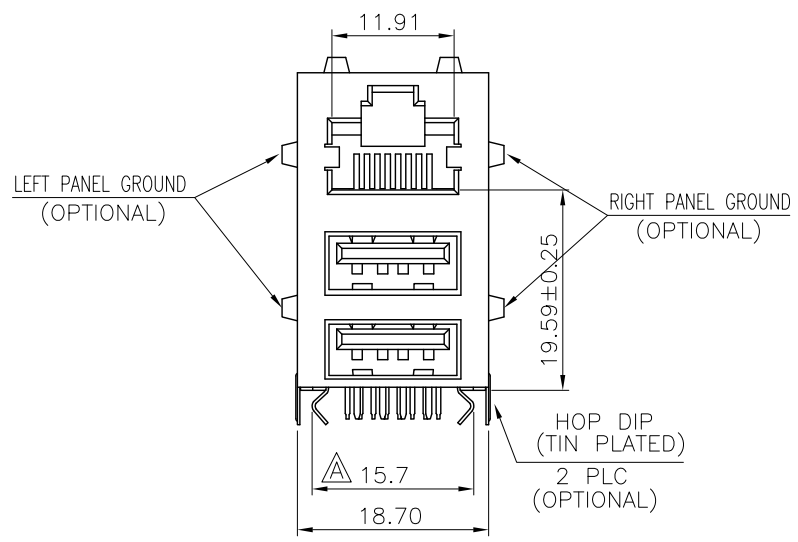


DATE CODE (OPTIONAL)



PCB LAYOUT
Ref.

- MATERIAL:
- HOUSING—PBT POLYESTER UL94V-0 MIXED FIBER GLASS. STANDARD COLOR—BLACK.
 - CONTACTS—0.35mm THICK PHOS-BRONZE PLATED WITH HARD GOLD AND GOLD FLASH ON SOLDER AREA.
 - SHIELD—0.20mm THICK COPPER ALLOY, PLATED WITH NICKEL.
- CAVITY CONFIRMS TO FCC RULES AND REGULATIONS PART 68,SUBPART F.



RoHS Compliant

TOLERANCES ARE



DRAWING BY CY

CHECKED BY GENIUS

UNIT / mm SCALE 1 : 1

DATE

SIZE A4 PPROJECTION

- X ±
- .X ± 0.25
- .XX ± 0.13
- .XXX ± 0.05
- ANG ±

照片框

ORDER INFORMATION

MUJ-RF-88AA-LF
SERIES | LEADFREE
8P8C TO 4 PIN AA TYPE
FULL SPRING
DIP 90°

DESCRIPTION: 2X1PORT, RJ45+USB, SHIELD, WITHOUT LED, WITHOUT TRANSFORMER, RECEPTACLE CONNECTOR

煜倫股份有限公司

www.morethanall.com