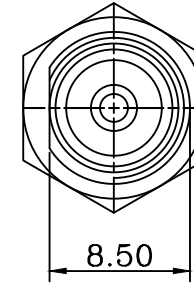
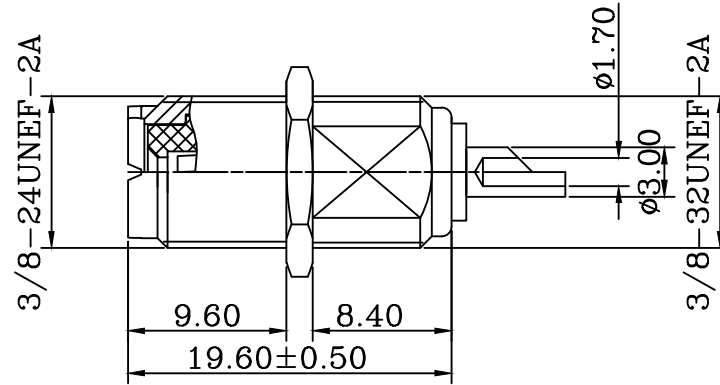
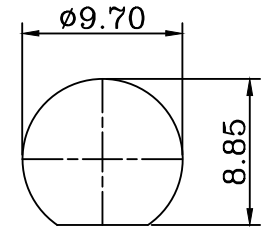
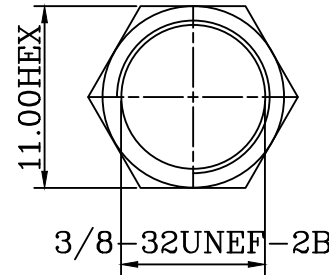
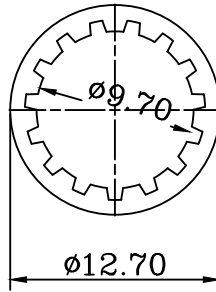
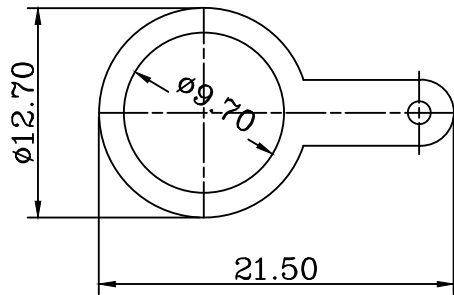


11.00HEX



8.50



RECOMMENDED MOUNTING HOLE

MAX Panel thickness: 3.0mm

6	HEX NUT	ZINC	1	NICKEL PLATED
5	LOCK WASHER	IRON	1	NICKEL PLATED
4	WASHER TAIL	IRON	1	NICKEL PLATED
3	CONTACT PIN	BRASS	1	GOLD PLATED
2	INSULATOR	POM	1	NATURAL
1	BODY	ZINC	1	NICKEL PLATED
ITEM	DESCRIPTION	MATERIAL	Q'TY	FINISHED

RoHS Compliant

TOLERANCES ARE

MORETHANALL
PCB CONNECTORS
Cable ASSEMBLIES

DRAWING BY CY

CHECKED BY GENIUS

UNIT / mm

SCALE 1:1

DATE

SIZE A4

PJECTION

0.5-15 = ±0.15
15-30 = ±0.30
30-120 = ±0.60
>120 = ±1.00

ANGLES
±5°

照片框

ORDER INFORMATION

MUHF-JSPANWT-50-LF

SERIES

JACK

TAG

NUT+WASHER

PANEL FRONT

SOLDER

LEADFREE

50 OHM

PANEL FRONT

煜倫股份有限公司

www.morethanall.com

DESCRIPTION: Mini UHF FEMALE BULKHEAD RECEPTACLE