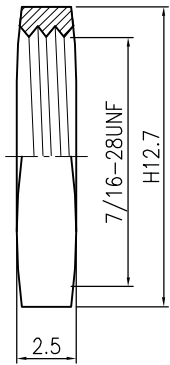
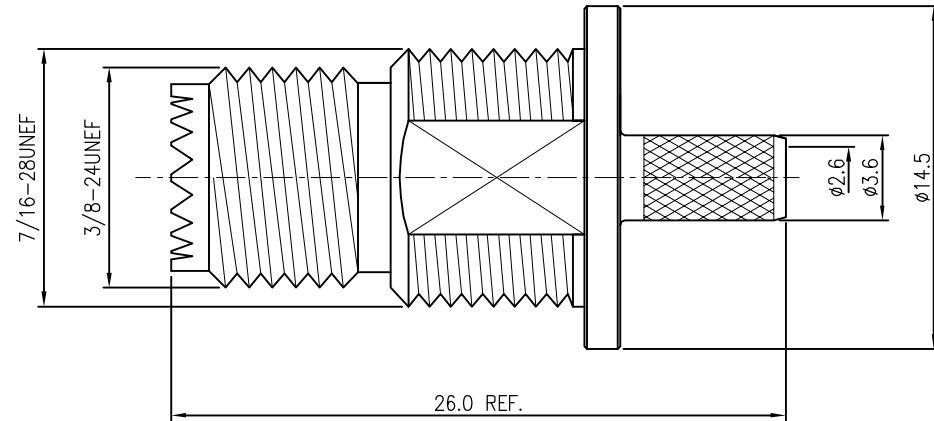
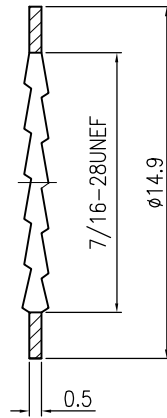


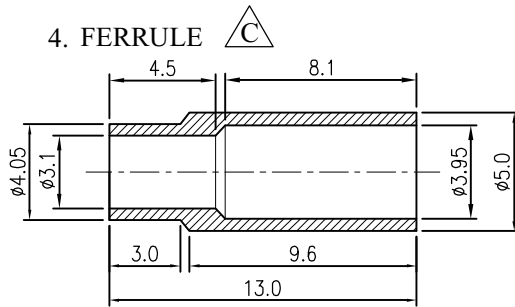
7. NUT



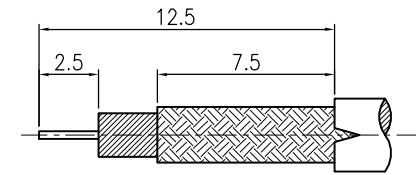
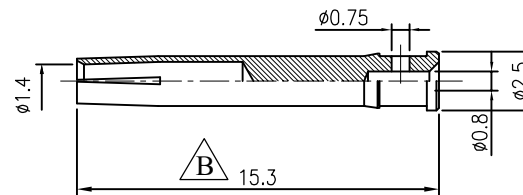
6. WASHER



4. FERRULE



3. PIN



RECOMMENDED
CABLE STRIPPING DIM'S

ITEM	DESCRIPTION	MATERIAL	FINISH	Q'TY
7	NUT	BRASS	NICKEL	1
6	WASHER	BRASS	NICKEL	1
5	BARREL	BRASS	NICKEL	1
4	FERRULE	BRASS	NICKEL	1
3	PIN	BRASS	GOLD	1
2	INSULATOR	PTFE	NONE	1
1	BODY	BRASS	NICKEL	1

RoHS Compliant

TOLERANCES ARE

MORETHANALL
PCB CONNECTORS
Cable ASSEMBLIES

DRAWING BY CY

CHECKED BY GENIUS

UNIT / mm

SCALE 1 : 1

DATE

SIZE A4

PJECTION

ANGLES = $\pm 3^\circ$
0.5-6 = ± 0.1
6-40 = ± 0.2
40-120 = ± 0.6
120-315 = ± 1.0
ABOVE 315 = ± 1.6

照片框

ORDER INFORMATION

MUHF-JC-179-LF

SERIES | LEADFREE
RG179
CRIMP
JACK

煜倫股份有限公司

www.morethanall.com

DESCRIPTION: Mini-UHF Female Bulkhead Crimp For RG-179