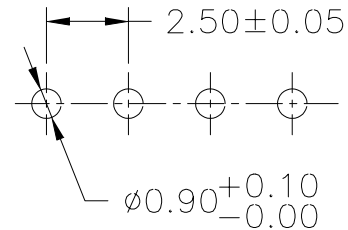
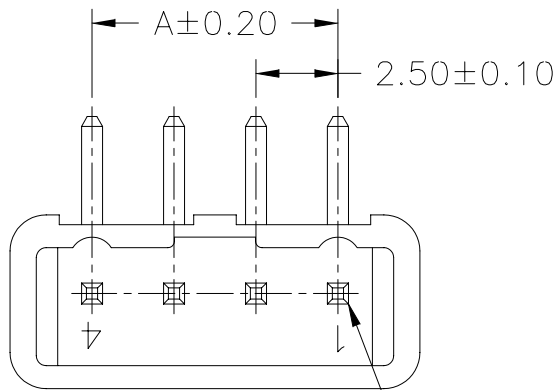


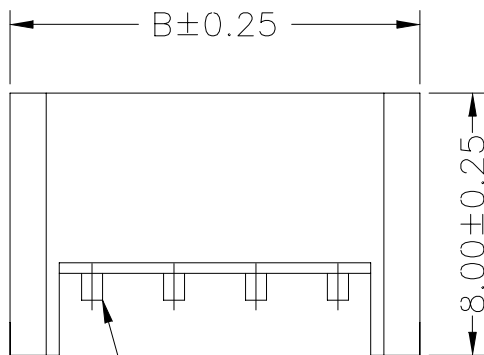
SPECIFICATIONS

Current Rating: 3A AC,DC
 Voltage Rating: 250V AC,DC
 Temperature Range: -25°C ~ +85°C
 Contact Resistance: 20mΩ Max
 Insulation Resistance: 1000MΩ Min
 Withstanding Voltage: 800V AC/minute
 Pin Material: Brass/Tin-plated
 Material: PBT,UL94V-0

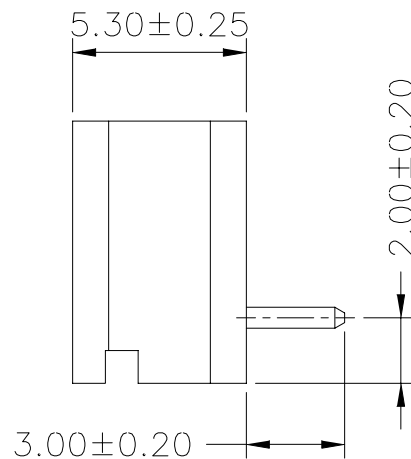


P.C.B LAYOUT

Circuit 1



PIN 0.64 SQ



Ordering Information & Dimensions

PART NO.	Dimensions	
	A	B
MTM-R-02	2.50	7.50
MTM-R-03	5.00	10.00
MTM-R-04	7.50	12.50
MTM-R-05	10.00	15.00
MTM-R-06	12.50	17.50
MTM-R-07	15.00	20.00
MTM-R-08	17.50	22.50
MTM-R-09	20.00	25.00
MTM-R-10	22.50	27.50
MTM-R-11	25.00	30.00
MTM-R-12	27.50	32.50
MTM-R-13	30.00	35.00
MTM-R-14	32.50	37.50
MTM-R-15	35.00	40.00

RoHS Compliant

TOLERANCES ARE



煜倫股份有限公司

www.morethanall.com

DRAWING BY CY

CHECKED BY GENIUS

UNIT / mm SCALE 1 : 1

DATE

SIZE A4 PPROJECTION

X, ±
 .X ±
 .XX ±
 .XXX ±
 ANG ±

照片框

ORDER INFORMATION

MTM-R-xx-LF
 SERIES | LEADFREE
 02~15WAY
 DIP 90°

DESCRIPTION: 2.50mm PITCH 90° WAFER