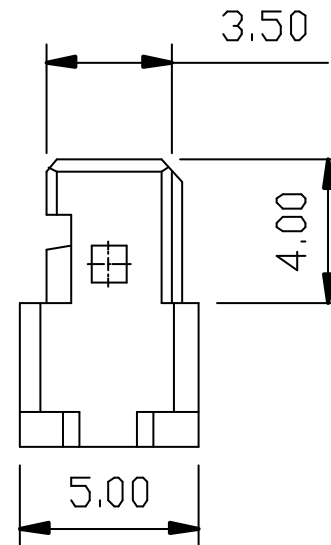
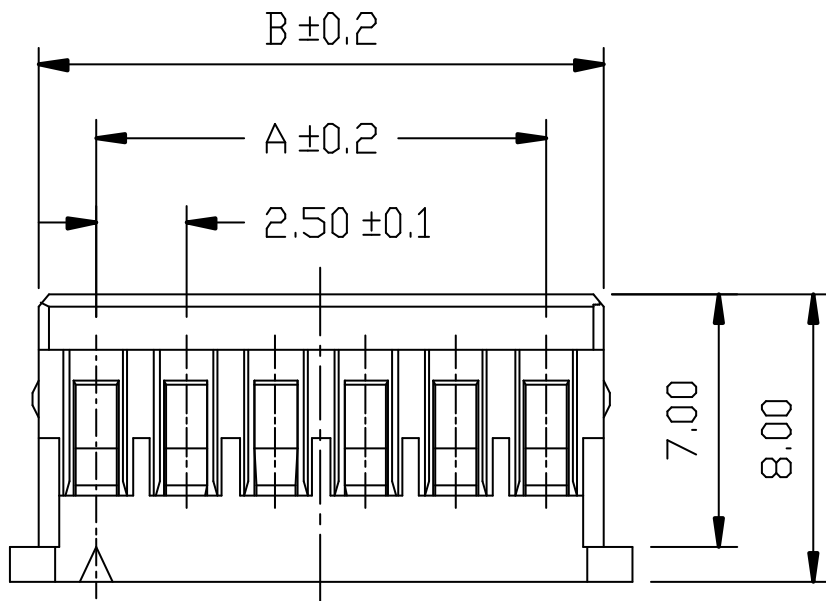


SPECIFICATIONS

Current Rating: 2.5A AC,DC
 Voltage Rating: 250V AC,DC
 Temperature Range: -25°C ~ +85°C
 Contact Resistance: 20mΩ Max
 Insulation Resistance: 1000MΩ Min
 Withstanding Voltage: 800V AC/minute
 Material: PBT,UL94V-0



| | A | B |
|-----|-------|-------|
| 15P | 35.00 | 39.80 |
| 14P | 32.50 | 37.30 |
| 13P | 30.00 | 34.80 |
| 12P | 27.50 | 32.30 |
| 11P | 25.00 | 29.80 |
| 10P | 22.50 | 27.30 |
| 9P | 20.00 | 24.80 |
| 8P | 17.50 | 22.30 |
| 7P | 15.00 | 19.80 |
| 6P | 12.50 | 17.30 |
| 5P | 10.00 | 14.80 |
| 4P | 7.50 | 12.30 |
| 3P | 5.00 | 9.80 |
| 2P | 2.50 | 7.30 |

RoHS Compliant

TOLERANCES ARE

MORETHANALL
 PCB CONNECTORS
 Cable ASSEMBLIES

煜倫股份有限公司

www.morethanall.com

DRAWING BY CY

CHECKED BY GENIUS

UNIT / mm SCALE 1 : 1

DATE

SIZE A4

X. ±
 .X ±
 .XX ±
 .XXX ±
 ANG ±

PPOJECTION



ORDER INFORMATION

MTM-H-xx-LF
 SERIES | LEADFREE
 02-15 WAY
 HOUSING

DESCRIPTION: 2.50mm PITCH HOUSING-RECEPT ACLE