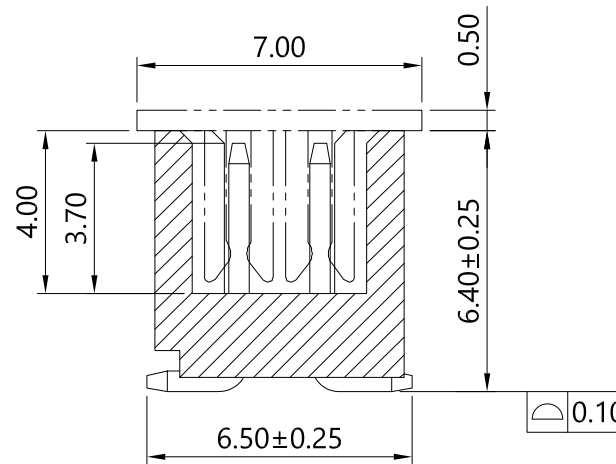
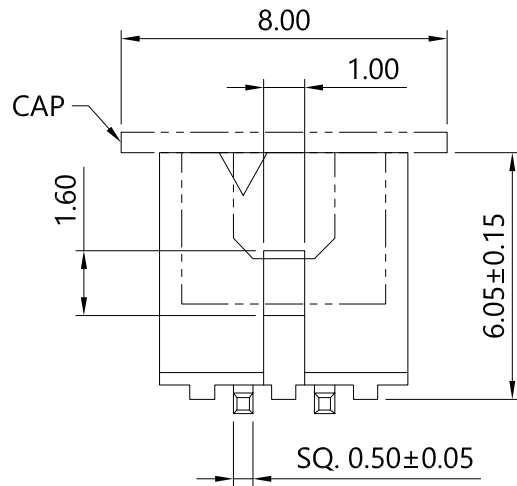


Recommended PCB Layout  
(PCB Board Tolerance±0.05)



**SPECIFICATION**

Current Rating: 2A  
 Contact Resistance: 20mΩ Max.  
 Insulation Resistance: 1000MΩ Min.  
 Dielectric Voltage: 500V AC for one minute  
 Operating Temperature: -40°C to +105°C

**MATERIAL**

Insulator: Nylon 9T, UL94V-0, Black  
 Terminal: Brass, Gold over Nickel Plated

RoHS Compliant

TOLERANCES ARE



煜倫股份有限公司

www.morethanall.com

DRAWING BY CY

CHECKED BY GENIUS

UNIT / mm

SCALE 1 : 1

DATE

SIZE A4

PPOJECTION

X, ±  
 .X ± 0.40  
 .XX ± 0.25  
 .XXX ± 0.15  
 ANG ±

照片框

ORDER INFORMATION

MTK-VXC-2X02-LF  
 SERIES | LEADFREE  
 | 04 WAY  
 | CAP  
 | NON POST  
 | 180°SMT

DESCRIPTION: Box Header 2.00mm Vertical SMT Type Dual Row 2P H=6.05mm