

Material:

Housing: High Temperature Plastic UL94V-0.

Contacts: Brass.

Electrical Characteristics:

Current Rating: 2 AMP.

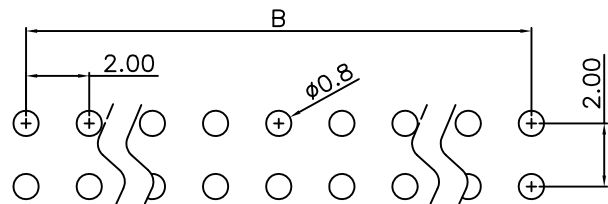
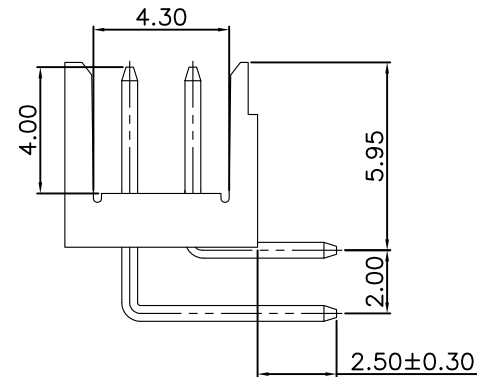
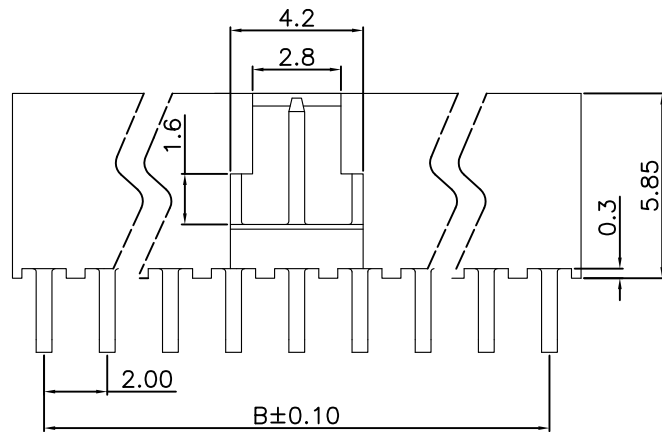
Dielectric Withstanding Voltage: AC 1000V For 1 minute.

Insulator Resistance: 1000MΩ min. at DC 500V.

Contact Resistance: 20mΩ max. at DC 100mA.

Operating Temperature: -55°C ~+105°C .

***RoHS Compliant**



Position	6 Thru 100
Dimension	
A	2.0 x No.of Positions/2
B	2.0 x No of Positions/2-2.0

RoHS Compliant

TOLERANCES ARE

MORETHANALL
PCB CONNECTORS
Cable ASSEMBLIES

煜倫股份有限公司

www.morethanall.com

DRAWING BY CY

CHECKED BY GENIUS

UNIT / mm SCALE 1 : 1

DATE

SIZE A4

X, ±

.X ±

.XX ±

.XXX ±

ANG ±

PJECTION

照片框

ORDER INFORMATION

MTK-R-2Xxx-LF
SERIES LEADFREE
2X02:04 WAY
2X15:30 WAY
DIP 90°

DESCRIPTION: 2.0mm Shrouded Header