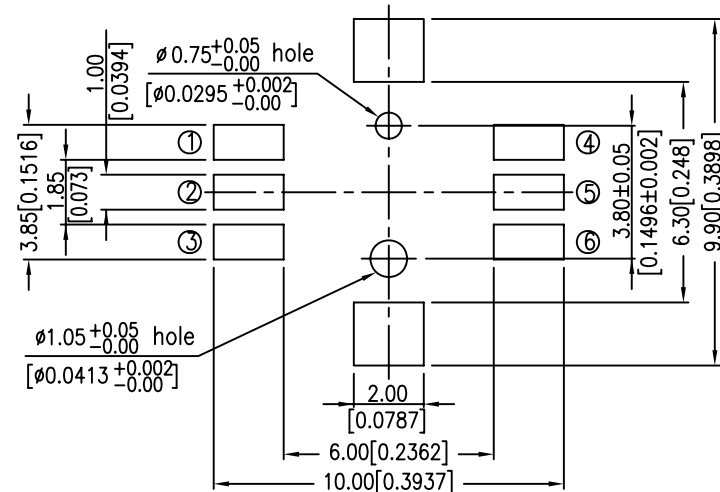
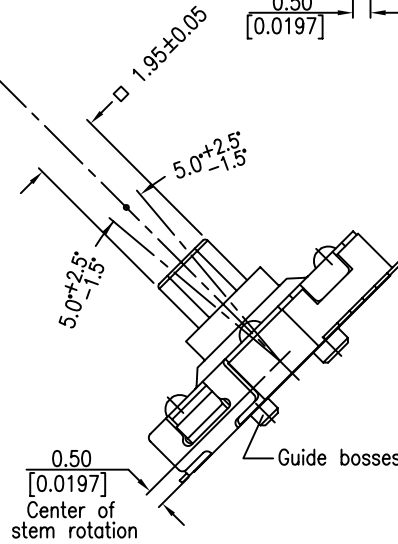
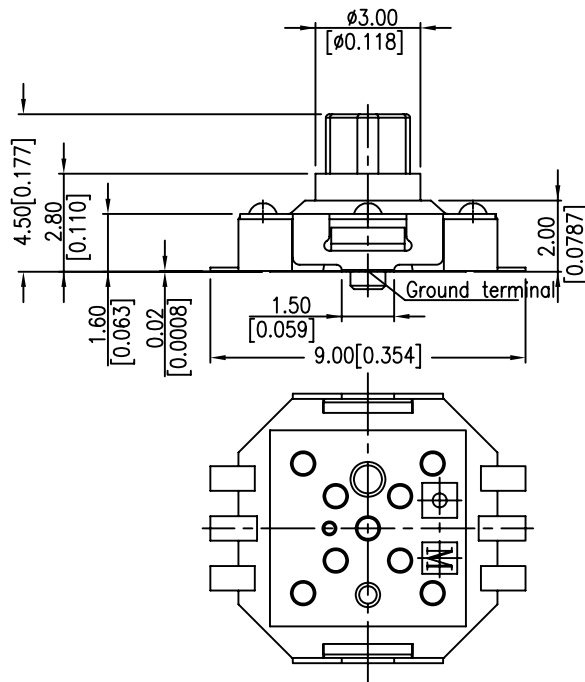


CIRCUIT DIAGRAM



P.C.B LAYOUT

NOTE:

1. ALL DIMENSIONS ARE IN MILLIMETERS, BRACKETED DIMENSIONS ARE IN INCHES.
2. GENERAL TOLERANCES MAX. ±0.20mm.

RoHS Compliant

TOLERANCES ARE

**MORETHANALL**  
PCB CONNECTORS  
Cable ASSEMBLIES

DRAWING BY CY

X, ±

CHECKED BY GENIUS

.X ±

UNIT / mm

SCALE 1 : 1

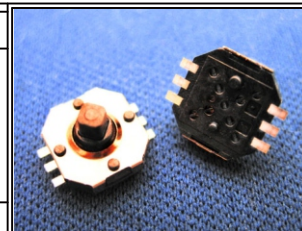
.XXX ±

DATE

ANG ±

SIZE A4

P PROJECTION



ORDER INFORMATION

MT5-VP-06-LF  
SERIES | LEADFREE  
06 WAY  
POST  
180°SMT

煜倫股份有限公司

www.morethanall.com

DESCRIPTION: