

SPECIFICATIONS

Current Rating:
3 Amp

Voltage Rating:
250V

Insulator resistance:
5000 MΩ Min.

Contact Resistance:
20 mΩ Max.

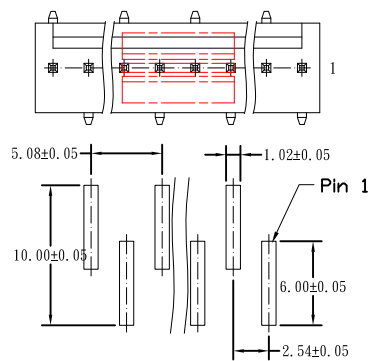
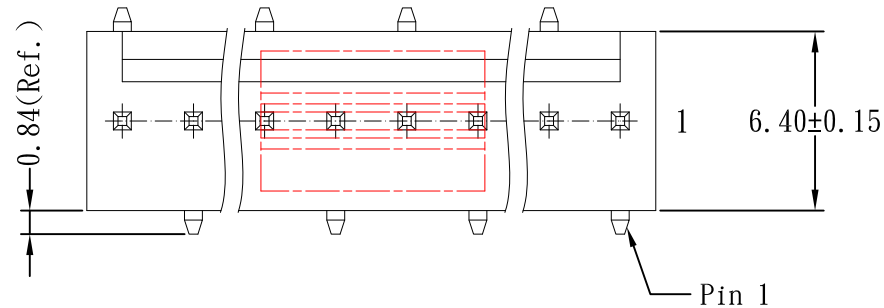
Dielectric withstanding:
AC 500V/minute

Operating Temperature:
-40° ~ +105°C

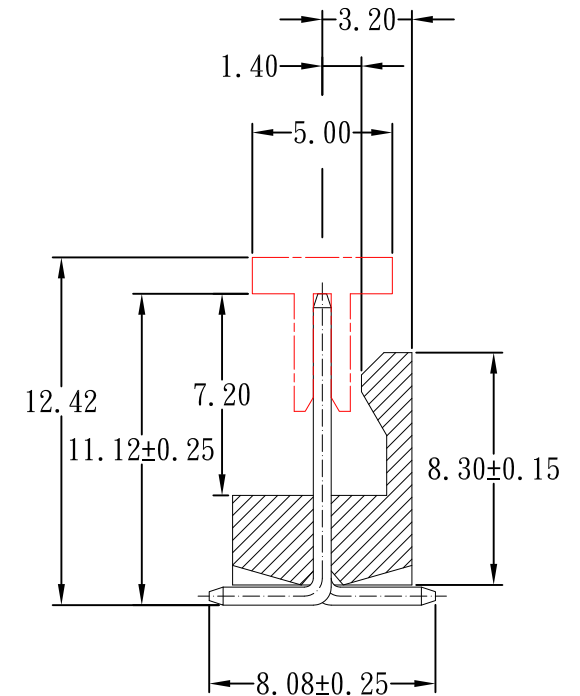
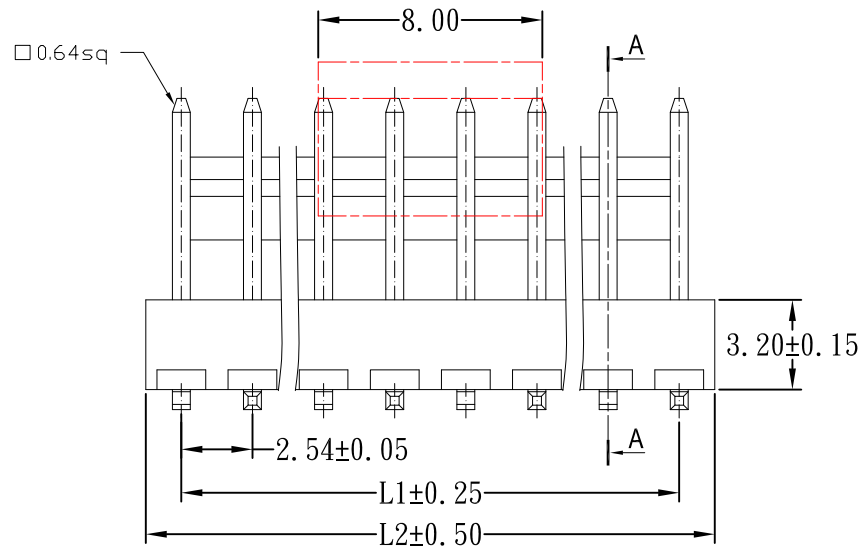


Contact Material:
Brass
Insulator Material:
Nylon-6T UL94V-0
Color: Natural
Finish:
Tin plated

Cir- cuits	Dimension mm	
	L1	L2
2	2.54	5.08
3	5.08	7.62
4	7.62	10.16
5	10.16	12.70
6	12.70	15.24
7	15.24	17.78
8	17.78	20.32



RECOMMENDED P. C. B. LAYOUT



RoHS Compliant

TOLERANCES ARE

MORETHANALL
PCB CONNECTORS
Cable ASSEMBLIES
煜倫股份有限公司

DRAWING BY CY

CHECKED BY GENIUS

UNIT / mm

SCALE 1 : 1

DATE

SIZE A4

PJECTION

X, ±
.X ± 0.38
.XX ± 0.25
.XXX ±
ANG ± 3°

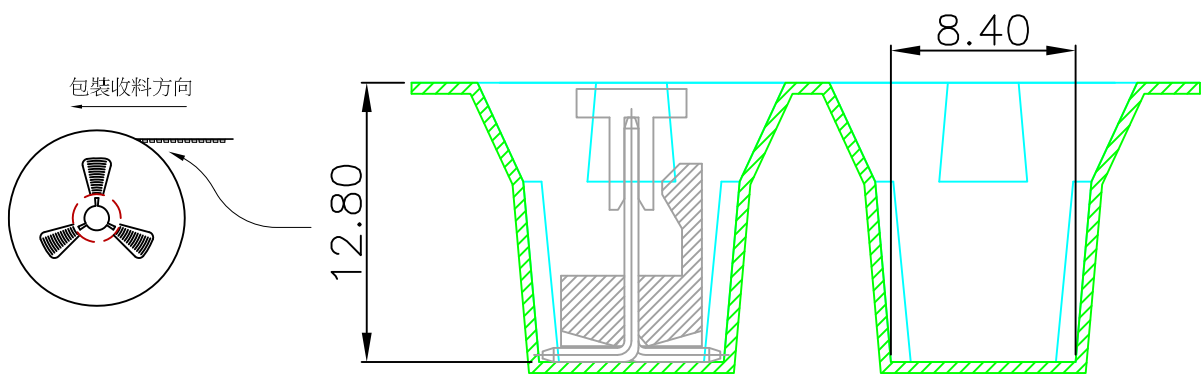
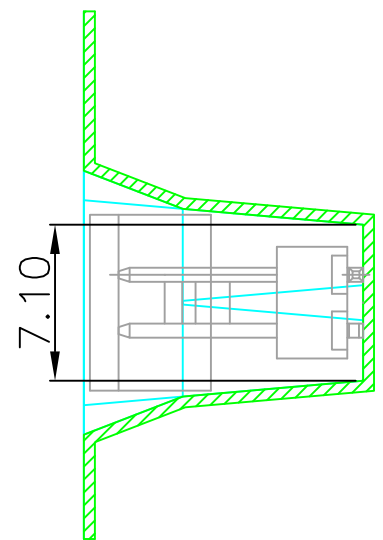
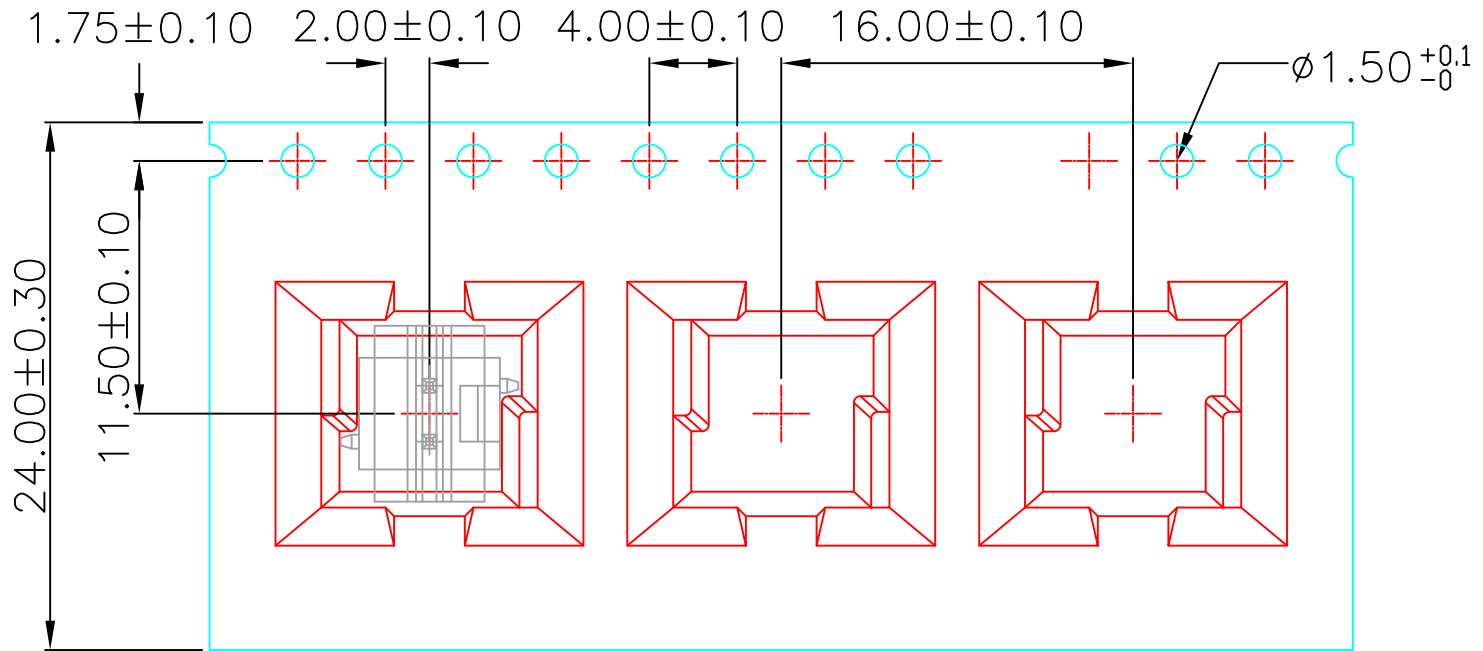


ORDER INFORMATION

MT-VXCR-xxR-LF
SERIES | REEL | CAP | 180°SMT | NON POST
LEADFREE
R TYPE FOOT
02-08 WAY

DESCRIPTION:

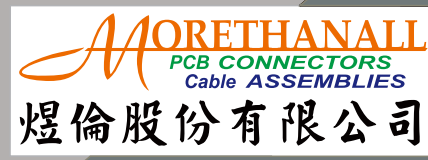
www.morethanall.com



1. 10 sprocket hole pitch cumulative tolerance ± 0.20 .
2. Carrier camber is within 1 mm in 250 mm.
3. Material : Black Conductive Polystyrene Alloy.
4. All dimensions meet EIA-481-D requirements.
5. Thickness : 0.50 ± 0.05 mm.
6. Packing length per 22" reel : 17.0 Meters.(1:3)
7. Component load per 13" reel : 300 pcs.

RoHS Compliant

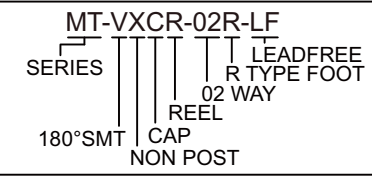
TOLERANCES ARE



DRAWING BY CY		X. ± 0.30
CHECKED BY GENIUS		.X ± 0.20
UNIT / mm	SCALE 1 : 1	.XX ± 0.10
DATE		.XXX \pm
		ANG $\pm 3^\circ$



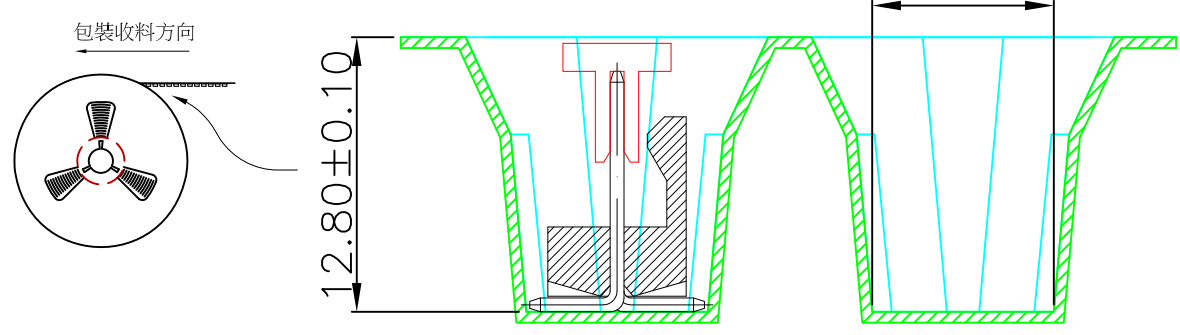
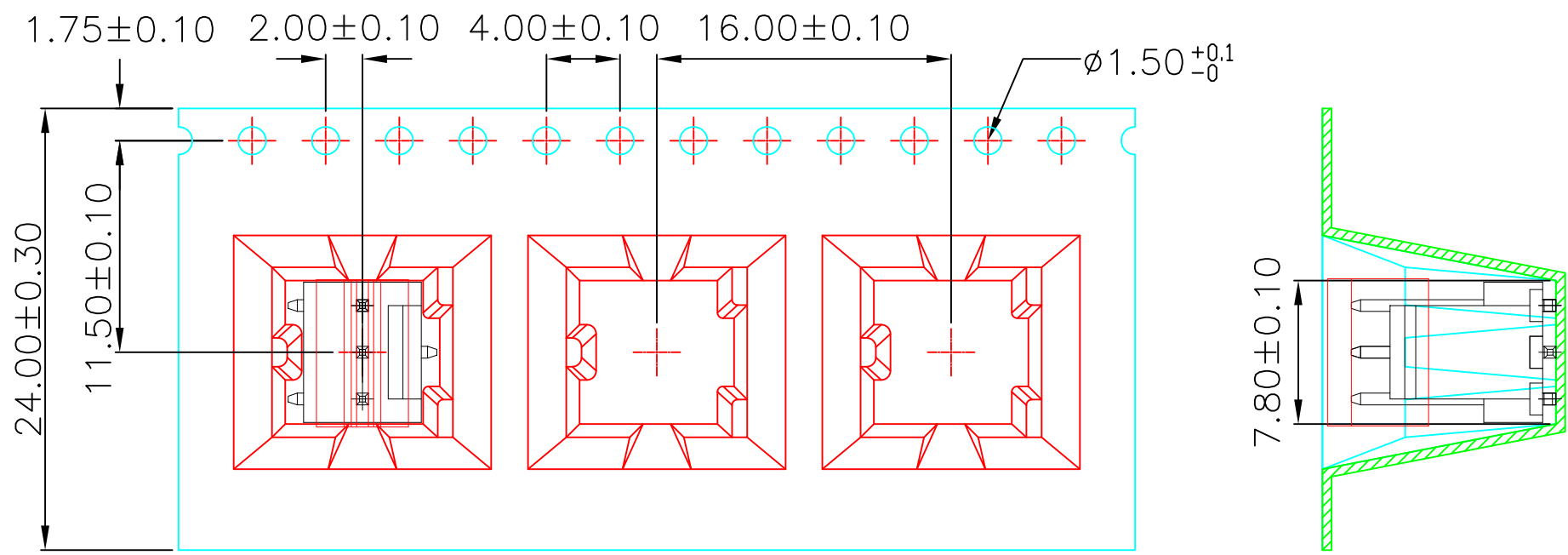
ORDER INFORMATION



www.morethanall.com

SIZE A4 PPROJECTION

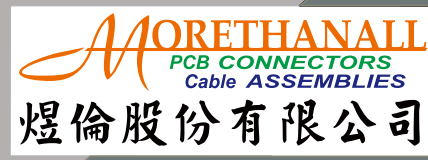
DESCRIPTION: 02 Pin REEL



1. 10 sprocket hole pitch cumulative tolerance ± 0.20 .
2. Carrier camber is within 1 mm in 250 mm.
3. Material : Black Conductive Polystyrene Alloy.
4. All dimensions meet EIA-481-D requirements.
5. Thickness : 0.50 ± 0.05 mm.
6. Packing length per 22" reel : 17.0 Meters.(1:3)
7. Component load per 13" reel : 300 pcs.

RoHS Compliant

TOLERANCES ARE



DRAWING BY CY

CHECKED BY GENIUS

UNIT / mm

SCALE 1 : 1

DATE

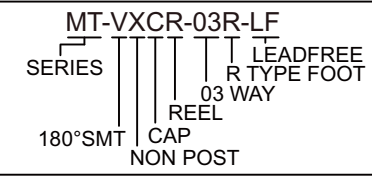
SIZE A4

X, \pm
 .X \pm 0.30
 .XX \pm 0.20
 .XXX \pm 0.10
 ANG \pm

PPOJECTION

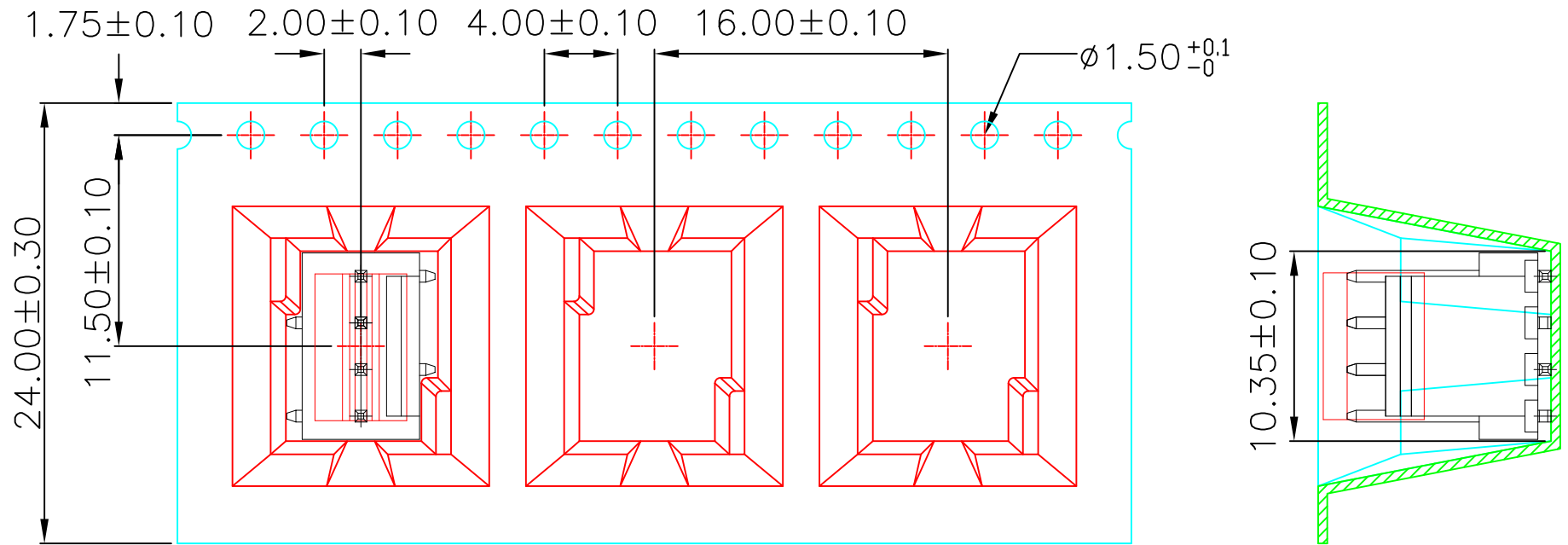


ORDER INFORMATION



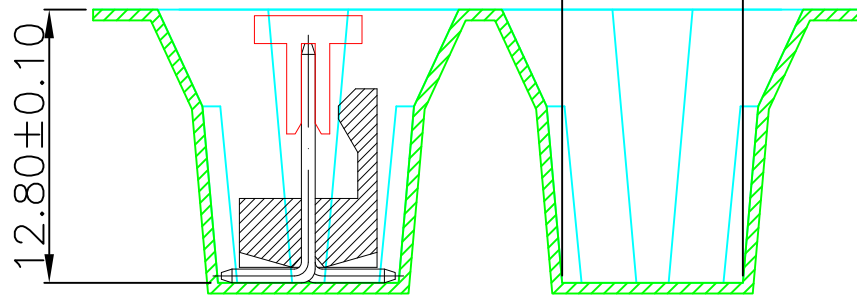
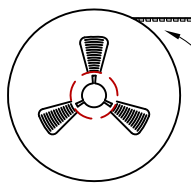
DESCRIPTION: 03 Pin REEL

www.morethanall.com



8.40±0.10

包裝收料方向



1. 10 sprocket hole pitch cumulative tolerance ± 0.20 .
2. Carrier camber is within 1 mm in 250 mm.
3. Material : Black Conductive Polystyrene Alloy.
4. All dimensions meet EIA-481-D requirements.
5. Thickness : 0.50 ± 0.05 mm.
6. Packing length per 22" reel : 17.0 Meters.(1:3)
7. Component load per 13" reel : 300 pcs.

RoHS Compliant

TOLERANCES ARE

MORETHANALL
PCB CONNECTORS
Cable ASSEMBLIES

DRAWING BY CY

X. ± 0.30

CHECKED BY GENIUS

.X ± 0.20

UNIT / mm

SCALE 1 : 1

.XX ± 0.10

DATE

.XXX \pm

ANG $\pm 3^\circ$

煜倫股份有限公司

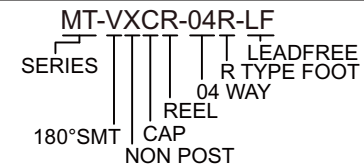
www.morethanall.com

SIZE A4

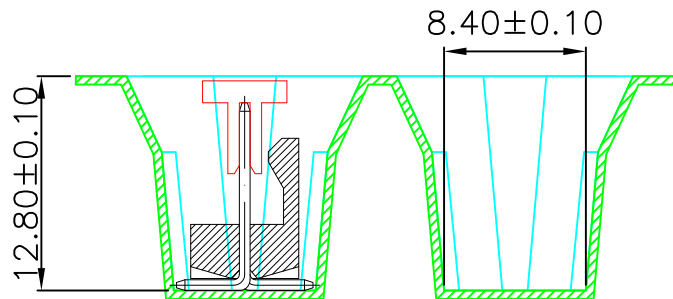
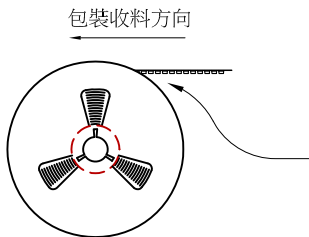
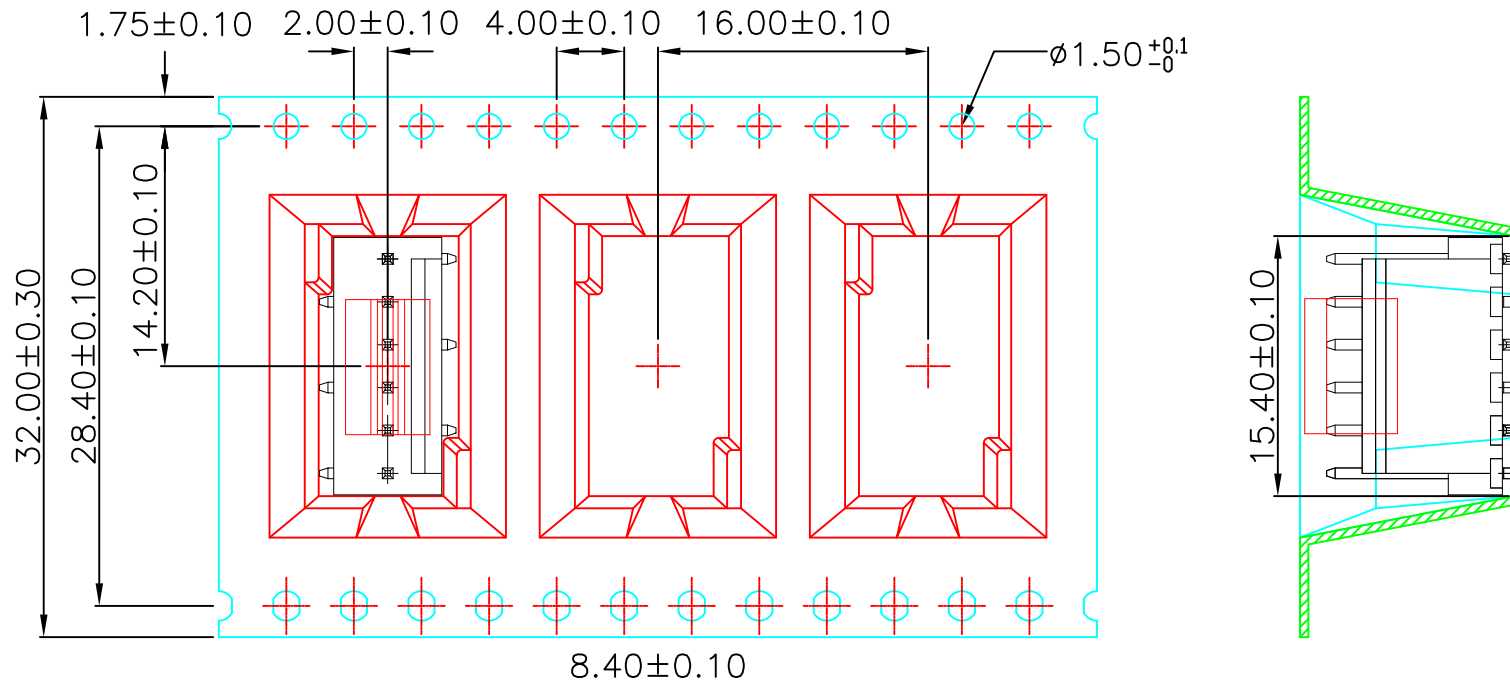
PJECTION



ORDER INFORMATION



DESCRIPTION: 04 Pin REEL



1. 10 sprocket hole pitch cumulative tolerance ± 0.20 .
2. Carrier camber is within 1 mm in 250 mm.
3. Material : Black Conductive Polystyrene Alloy.
4. All dimensions meet EIA-481-D requirements.
5. Thickness : 0.50 ± 0.05 mm.
6. Packing length per 22" reel : 17.0 Meters.(1:3)
7. Component load per 13" reel : 300 pcs.

RoHS Compliant

TOLERANCES ARE

MORETHANALL
PCB CONNECTORS
Cable ASSEMBLIES
煜倫股份有限公司

DRAWING BY CY

X. ± 0.30

CHECKED BY GENIUS

.X ± 0.20

UNIT / mm

SCALE 1 : 1

.XXX \pm

DATE

ANG $\pm 3^\circ$

SIZE A4

PJECTION



ORDER INFORMATION

MT-VXCR-06R-LF
SERIES | REEL | LEADFREE
R TYPE FOOT
06 WAY
180°SMT | CAP | NON POST

DESCRIPTION: 06 Pin REEL

www.morethanall.com