

SPECIFICATIONS

Current Rating:
3 Amp

Voltage Rating:
250V

Insulator resistance:
5000 MΩ Min.

Contact Resistance:
20 mΩ Max.

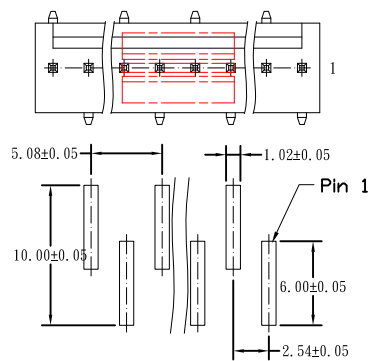
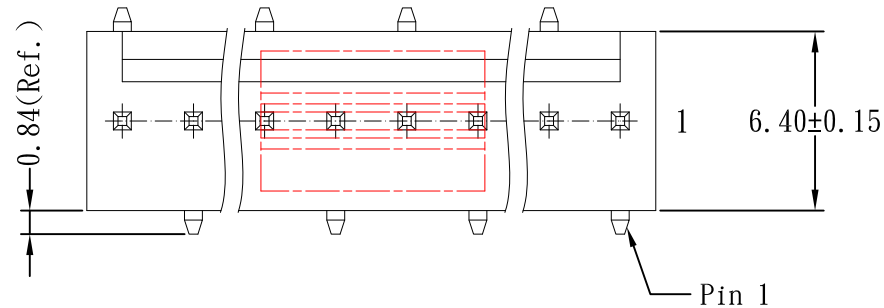
Dielectric withstanding:
AC 500V/minute

Operating Temperature:
-40° ~ +105°C

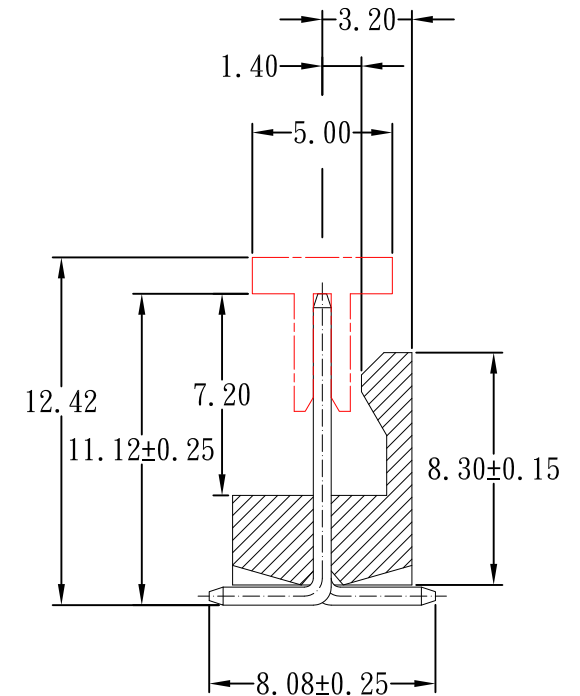
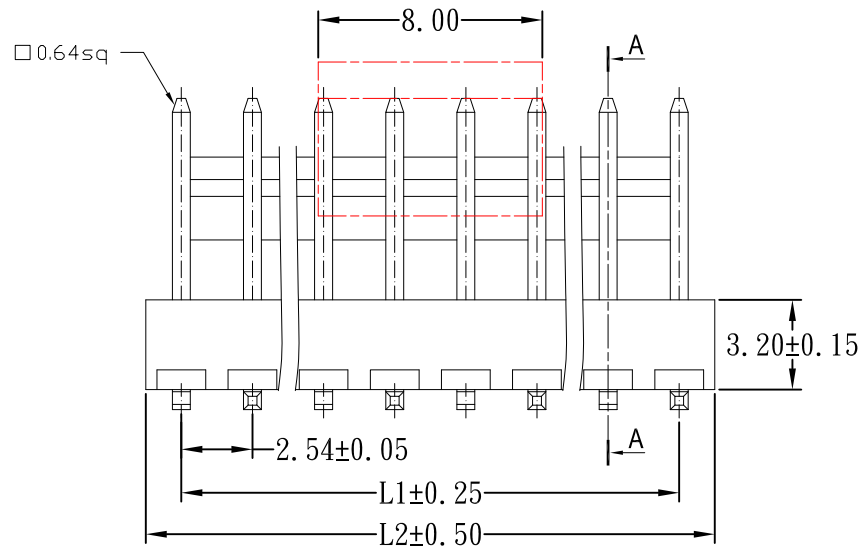


Contact Material:
Brass
Insulator Material:
Nylon-6T UL94V-0
Color: Natural
Finish:
Tin plated

Cir- cuits	Dimension mm	
	L1	L2
2	2.54	5.08
3	5.08	7.62
4	7.62	10.16
5	10.16	12.70
6	12.70	15.24
7	15.24	17.78
8	17.78	20.32



RECOMMENDED P. C. B. LAYOUT



RoHS Compliant

TOLERANCES ARE

MORETHANALL
PCB CONNECTORS
Cable ASSEMBLIES
煜倫股份有限公司

DRAWING BY CY
CHECKED BY GENIUS
UNIT / mm SCALE 1 : 1
DATE
SIZE A4 PPROJECTION

X, ±
.X ± 0.38
.XX ± 0.25
.XXX ±
ANG ± 3°

照片框

ORDER INFORMATION

MT-VXC-xxR-LF
SERIES
LEADFREE
R TYPE FOOT
02-08 WAY
CAP
NON POST
180°SMT

DESCRIPTION:

www.morethanall.com