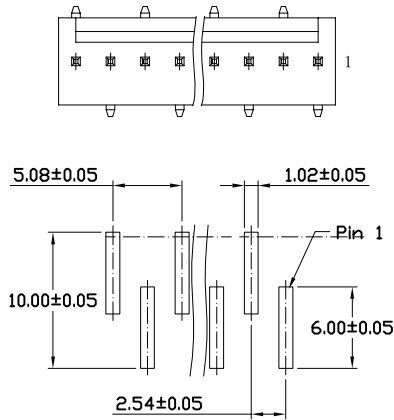
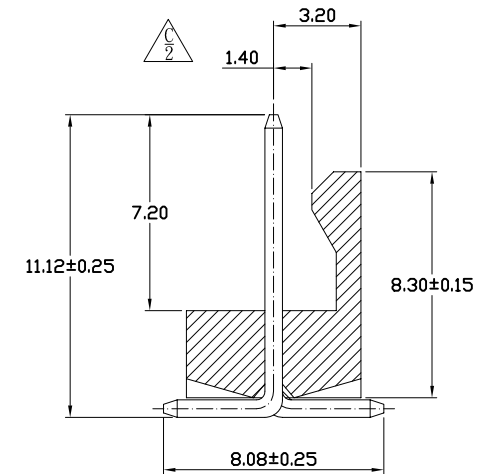
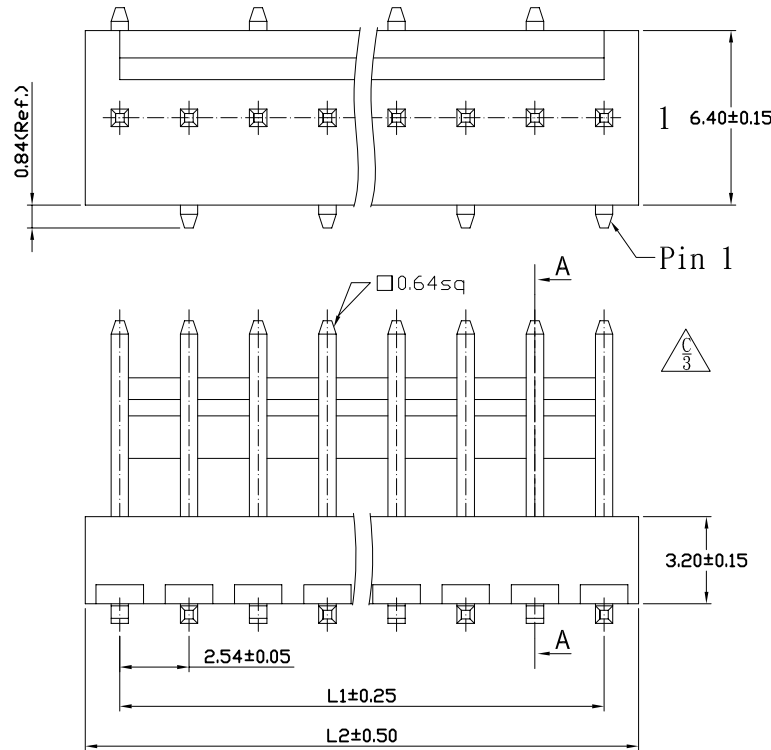


SPECIFICATIONS

Current Rating: 3 Amp
 Voltage Rating: 250V
 Insulator resistance: 5000 MΩ Min.
 Contact Resistance: 20 mΩ Max.
 Dielectric withstanding: AC 1000V/minute
 Operating Temperature: -40° ~ +75°C

Contact Material: Brass
 Insulator Material: Nylon-6T UL94V-0
 Color: Natural
 Finish: Tin plated

Cir-cuits	Dimension mm	
	L1	L2
2	2.54	5.08
3	5.08	7.62
4	7.62	10.16
5	10.16	12.70
6	12.70	15.24
7	15.24	17.78
8	17.78	20.32
9	20.32	22.86
10	22.86	25.40
11	25.40	27.59
12	27.59	30.48
13	30.48	33.02
14	33.02	35.56
15	35.56	38.10



RECOMMENDED P. C. B. LAYOUT

RoHS Compliant

TOLERANCES ARE

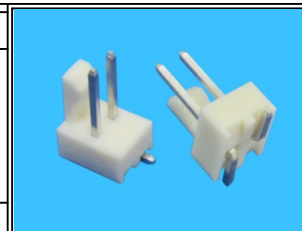


煜倫股份有限公司

www.morethanall.com

DRAWING BY CY
 CHECKED BY GENIUS
 UNIT / mm SCALE 1 : 1
 DATE
 SIZE A4 PROJECTION

X. ±
 .X ±
 .XX ±
 .XXX ±
 ANG ±



ORDER INFORMATION

MT-VX-xxR-LF
 SERIES | LEADFREE
 | R TYPE FOOT
 | 02~15 WAY
 | NON POST
 | 180°SMT

DESCRIPTION: