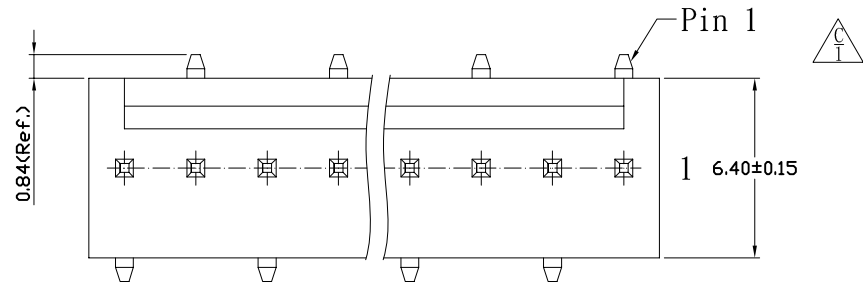


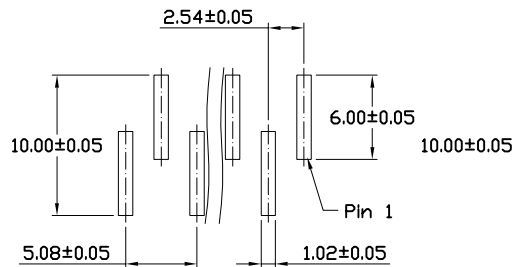
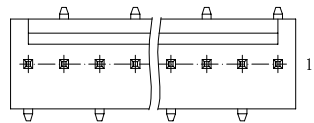
**SPECIFICATIONS**

Current Rating: 3 Amp  
 Voltage Rating: 250V  
 Insulator resistance: 5000 MΩ Min.  
 Contact Resistance: 20 mΩ Max.  
 Dielectric withstanding: AC 1000V/minute  
 Operating Temperature: -40° ~ +75°C

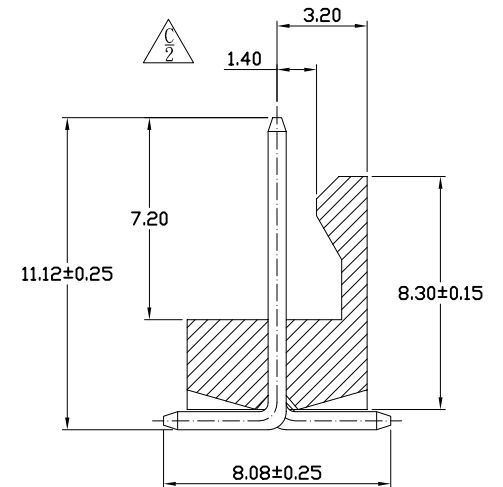
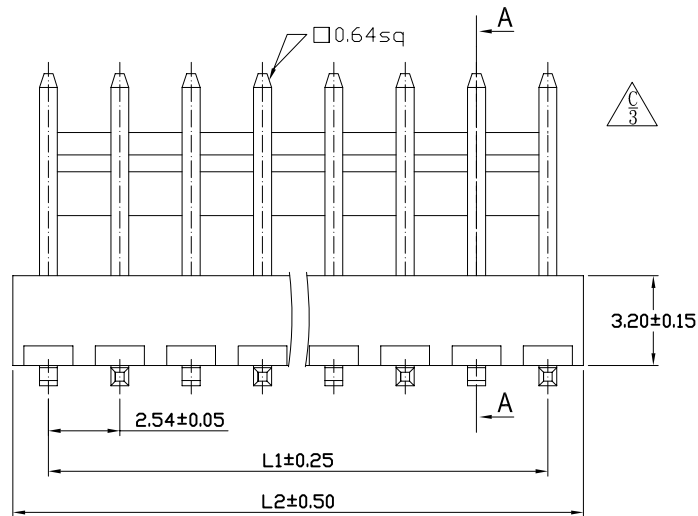
Contact Material: Brass  
 Insulator Material: Nylon-6T UL94V-0  
 Color: Natural  
 Finish: Tin plated



Cir-cuits	Dimension mm	
	L1	L2
2	2.54	5.08
3	5.08	7.62
4	7.62	10.16
5	10.16	12.70
6	12.70	15.24
7	15.24	17.78
8	17.78	20.32
9	20.32	22.86
10	22.86	25.40
11	25.40	27.59
12	27.59	30.48
13	30.48	33.02
14	33.02	35.56
15	35.56	38.10



RECOMMENDED P. C. B. LAYOUT



**RoHS Compliant**

TOLERANCES ARE



煜倫股份有限公司

www.morethanall.com

DRAWING BY CY  
 CHECKED BY GENIUS  
 UNIT / mm SCALE 1 : 1  
 DATE  
 SIZE A4 PPROJECTION

X. ±  
 .X ±  
 .XX ±  
 .XXX ±  
 ANG ±

照片框

**ORDER INFORMATION**

MT-VX-xxL-LF  
 SERIES | L TYPE FOOT  
 LEADFREE  
 02~15 WAY  
 NON POST  
 180°SMT

DESCRIPTION: