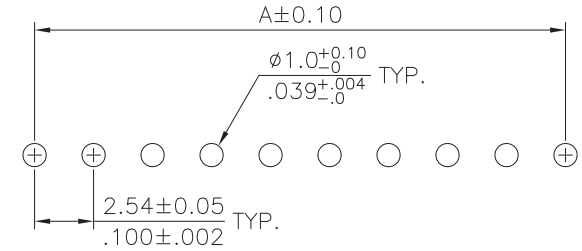
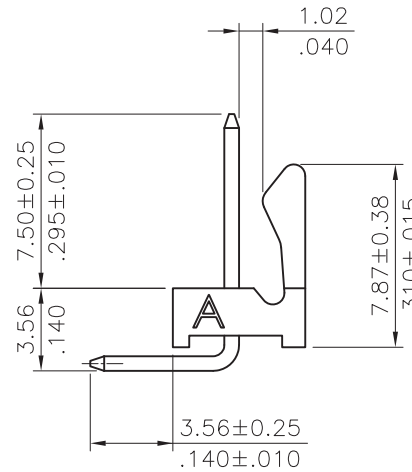
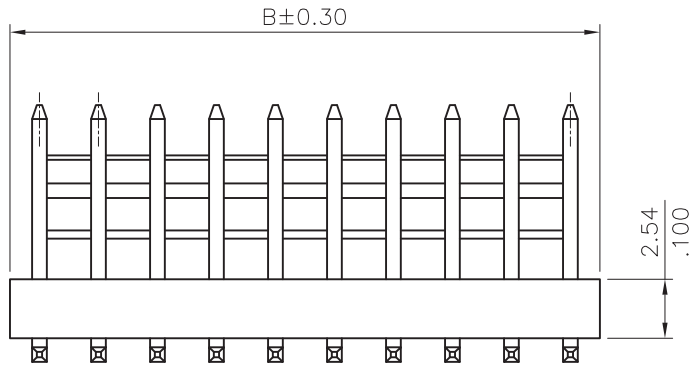


Material :
 * Insulation:
 Nylon66 30% G.F. UL 94V-0(Nature)
 * S.Q PIN: Brass



Recommended P.C. Board Layout

DIM.A = 2.54 x (NO. OF CIRCUIT-1)
 DIM.B = DIM.A + 2.54
 *Available in 2~28 Circuits

RoHS Compliant

TOLERANCES ARE

MORETHANALL
 PCB CONNECTORS
 Cable ASSEMBLIES

煜倫股份有限公司

www.morethanall.com

DRAWING BY CY

CHECKED BY GENIUS

UNIT / mm

SCALE 1 : 1

DATE

SIZE A4

PJECTION

X, ±
 .X ± 0.30
 .XX ± 0.20
 .XXX ± 0.10
 ANG ±

照片框

ORDER INFORMATION

MT-R-xx-LF
 SERIES | LEADFREE
 02~28WAY
 DIP 90°

DESCRIPTION: