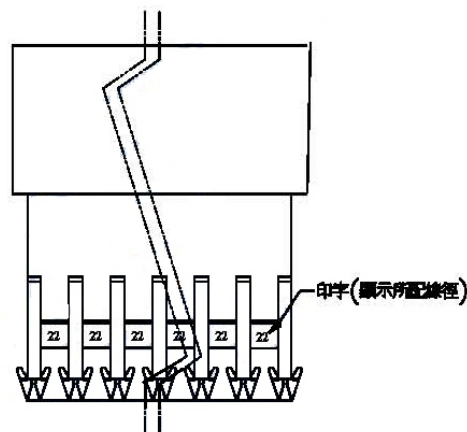
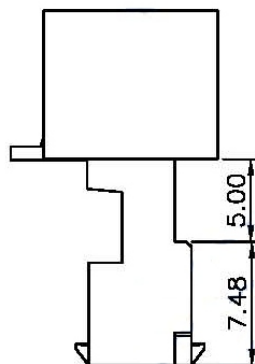
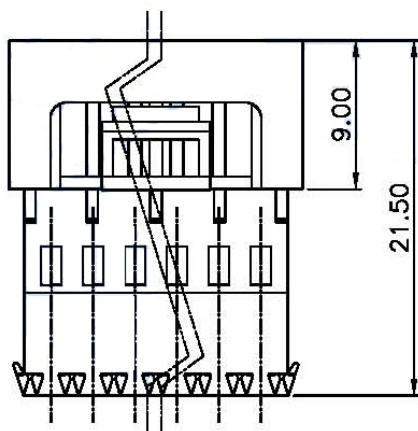
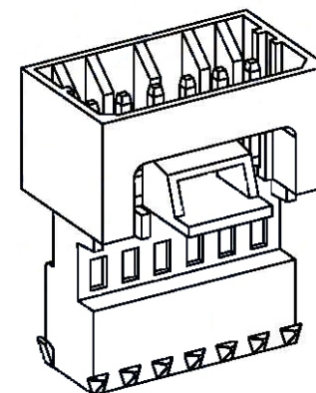
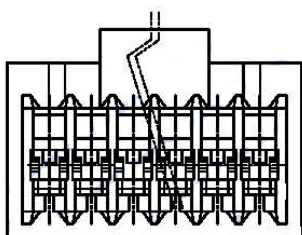


Material : Nylon UL 94V-2  
 Standard color : Natural  
 Contact : Phosphor bonze  
 Current rating : 2A, AC/DC  
 Voltage rating : 250V, AC/DC  
 Applicable wire : AWG#28-#22  
 2-30 circuits available



Circuits	Dim. A	Dim. B	Circuits	Dim. A	Dim. B
2	2.54	7.62	17	40.64	45.72
3	5.08	10.16	18	43.18	48.26
4	7.62	12.70	19	45.72	50.80
5	10.16	15.24	20	48.26	53.34
6	12.70	17.78	21	50.80	55.88
7	15.24	20.32	22	53.34	58.42
8	17.78	22.86	23	55.88	60.96
9	20.32	25.40	24	58.42	63.50
10	22.86	27.94	25	60.96	66.04
11	25.40	30.48	26	63.50	68.58
12	27.94	33.02	27	66.04	71.12
13	30.48	35.56	28	68.58	73.66
14	33.02	38.10	29	71.12	76.20
15	35.56	40.64	30	73.66	78.74
16	38.10	43.18			



線徑	印字	顏色
#22	22	Natural
#24	24	Natural
#26	26	Natural
#28	28	Natural
#22	22	Red
#24	24	White
#26	26	Blue
#28	28	Green

RoHS Compliant

TOLERANCES ARE

**MORETHANALL**  
 PCB CONNECTORS  
 Cable ASSEMBLIES

DRAWING BY CY

X. ± 0.30

CHECKED BY GENIUS

.X ± 0.30

UNIT / mm

SCALE 1 : 1

.XX ± 0.20

.XXX ± 0.10

DATE

ANG ± 1°

SIZE A4

PJECTION

照片框

ORDER INFORMATION

MT-PLxx-xx-LF  
 SERIES | | T LEADFREE  
 | | | 02-30WAY  
 | | | 22-28 AWG  
 | | | CLOSED END  
 | | | MALE

煜倫股份有限公司

www.morethanall.com

DESCRIPTION: