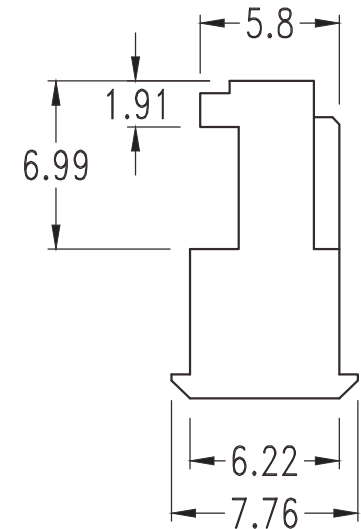
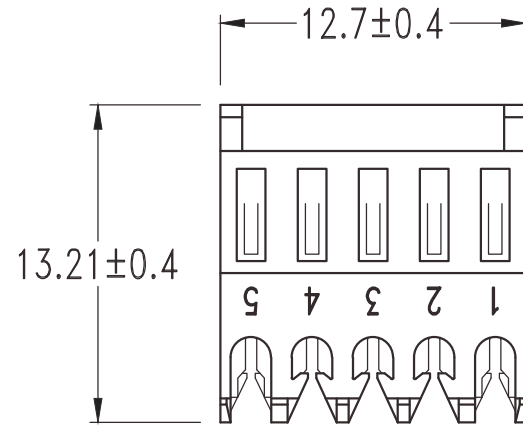
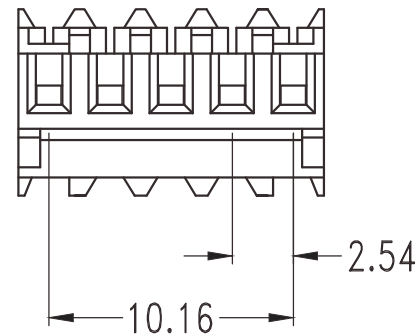


Features:

- Terminal material: Tin-plated phosphor bronze
- With Polarizing Tabs
- Feed-Thru type
- Wire range: AWG #24 (Flat ribbon wire)
- Color: Red

Specification:

- Current rating: 3A AC, DC
- Voltage rating: 250V AC Max
- Contact resistance: Initial value/10mΩ Max.
After environmental testing/20mΩ Max.
- Insulation resistance: 1000MΩ Min.
- Dielectric strength: 1500V AC/minute
- Ambient temperature range: -40°C ~ 105°C
(Including temperature rise)



RoHS Compliant

TOLERANCES ARE

MORETHANALL
PCB CONNECTORS
Cable ASSEMBLIES

煜倫股份有限公司

www.morethanall.com

DRAWING BY CY

CHECKED BY GENIUS

UNIT / mm SCALE 1 : 1

DATE

SIZE A4

X, ±
.X ± 0.40
.XX ± 0.25
.XXX ± 0.08
ANG ±

P PROJECTION

照片框

ORDER INFORMATION

MT-HC24TRD-05-LF
SERIES | | | | | LEADFREE
HOUSING | | | | | RED 05WAY
TAB
24AWG
FEED THROUGH

DESCRIPTION: