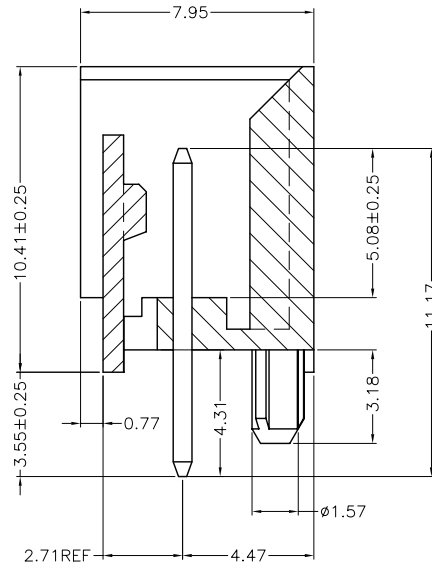
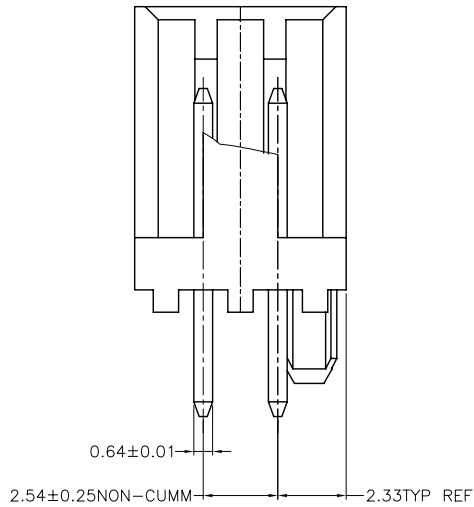
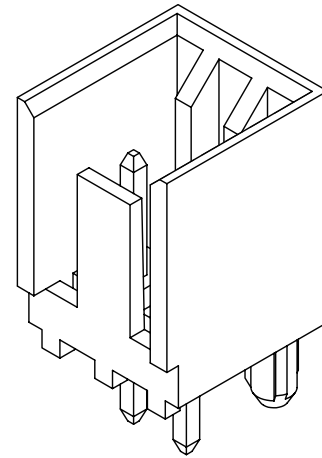
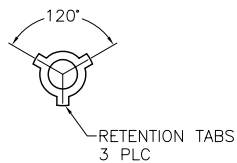


RECOMMENDED MOUNTING HOLE PATTERN FOR .063 THK PRINTED CIRCUIT BOARD



1.484	37.69	14
1.384	35.15	13
1.284	32.61	12
1.184	30.07	11
1.084	27.53	10
.984	24.99	9
.884	22.45	8
.784	19.91	7
.684	17.37	6
.584	14.83	5
.484	12.29	4
.384	9.75	3
.284	7.21	2
IN	MM	NO. OF POSITIONS
L		



**MATERIALS:**

PLASTIC HOUSING: HIGH TEMP. THERMOPLASTIC FLAMMABILITY RATING UL 94V-0.  
CONTACT : 0.64 SQUARE PIN C2680-H BRASS, TIN PLATING OVER NICKEL.

**RoHS Compliant**

TOLERANCES ARE

**MORETHANALL**  
PCB CONNECTORS  
Cable ASSEMBLIES

DRAWING BY CY

CHECKED BY GENIUS

UNIT / mm

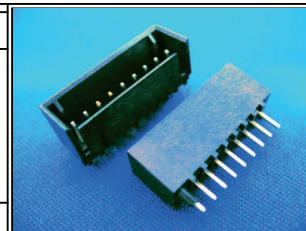
SCALE 1 : 1

DATE

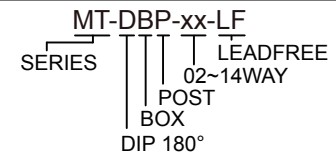
SIZE A4

PJECTION

X.  $\pm$   
.X  $\pm$   
.XX  $\pm$   
.XXX  $\pm$   
ANG  $\pm$



**ORDER INFORMATION**



煜倫股份有限公司

www.morethanall.com

DESCRIPTION: