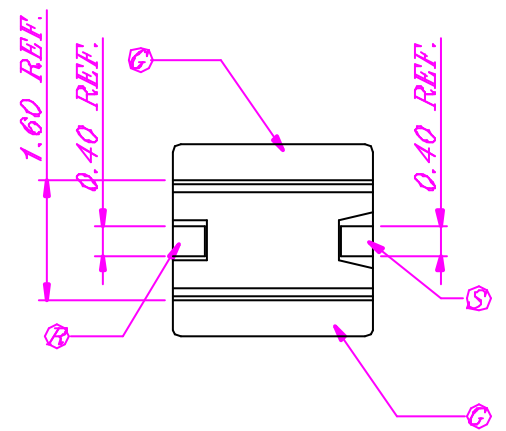
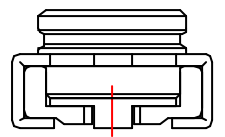
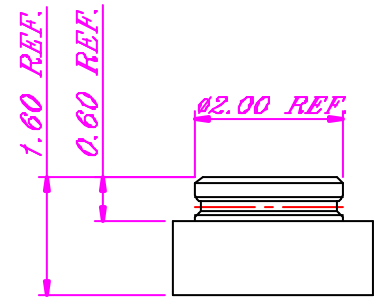
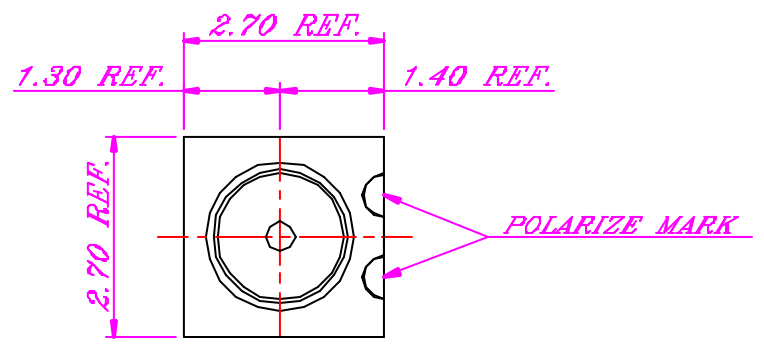


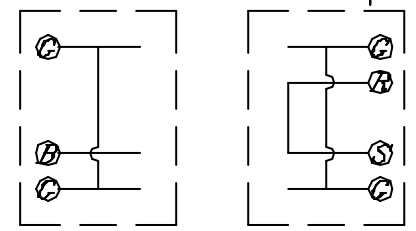
1 2 3 4 5 6 7 8 9 0

J
I
H
G
F
E
D
C
B
A



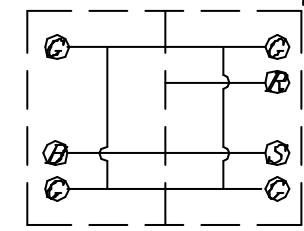
CIRCUIT DIAGRAM

BEFORE MATE WITH PLUG(N.C)



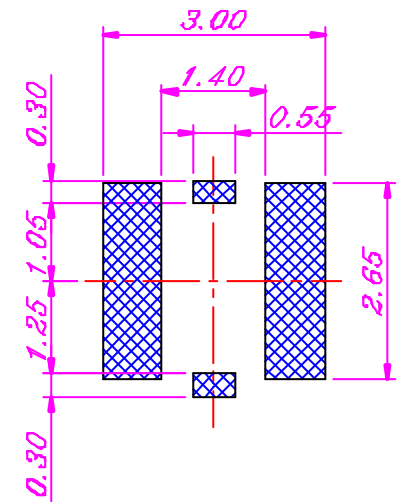
PLUG

AFTER MATE WITH PLUG(N.O)



PLUG

1. DIMENSION:
Unless otherwise specified all Dimensions in millimeters & inches. Values in brackets are inches equivalents.



RECOMMENDED P.C.B. PATTERN

MSH-JVR3K-50-LF
 LEADFREE

RoHS Compliant



PART NO. MSH-JVR3K-50

DWG NO. MSH-JVR3K-50

CHECKED BY CY

TOLERANCES ARE

DESCRIP TION:

MICROWAVE SWITCH CONNECTOR

焯倫股份有限公司

FILE NO.

DRAWING BY

.X ± 0.2
.XX ± 0.1
.XXX ±

AREA

REVISIONS

HK

DATE

UNIT / mm

SCALE 1:1

PROJECTION

AWG

J
I
H
G
F
E
D
C
B
A

SPECIFICATIONS:

MECHANICAL CHARACTERISTICS:
DURABILITY--500 CYCLES

ELECTRICAL CHARACTERISTICS:
NORMAL IMPEDANCE-- 50 OHMS
FREQUENCY RANGE-- V.S.W.R 1.3dB Max./ 0~6 GHz
CONTACT RESISTANCE 0.05 OHMS MAX.

DIELECTRICAL WITHSTANDING VOLTAGE--300V AC.
INSULATION RESISTANCE-- 500 MEGOHMS MIN.
ENVIROMENTAL CHARACTERISTICS:
TEMPERATURE RANGE-- -40°C TO +90°C

STORE IN MAUNFACTURE'S PACKAGE OR TIGHTLY
RECLOSED BOX WITH THE FOLLOWING CONDITIONS.
TEMPERATURE : -10°C - +40°C
HUMIDITY : 15% - 85 % RH

USE THIS PRODUCT WITHIN 6 MONTHS AFTER RECEIPT.
CHECK THE TERMINAL SOLDERABILITY BEFORE USE.
IF THE PRODUCT HAS BEEN STORED FOR MORE THAN 6 MONTHS.

NO	DESCRIPTION	MATERIAL & TERATMENT	REMARK
1	GROUND CONTACT	BRASS WITH GOLD PLATING	
2	UPPER INSULATOR	LCP (UL94V-0)	
3	LOWER INSULATOR	LCP (UL94V-0)	
4	SPRING CONTACT	BERRYLLIUM COPPER WITH GOLD PLATING	
5	RETENTION CONTACT	BERRYLLIUM COPPER WITH GOLD PLATING	



PART NO. MSH-JVR3K-50

DWG NO. MSH-JVR3K-50

FILE NO.

UNIT / mm

SCALE 1:1

CHECKED BY CY

DRAWING BY

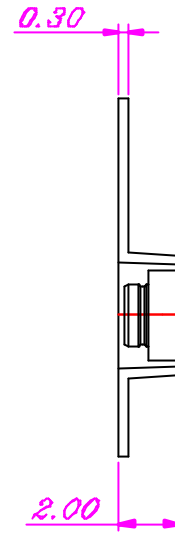
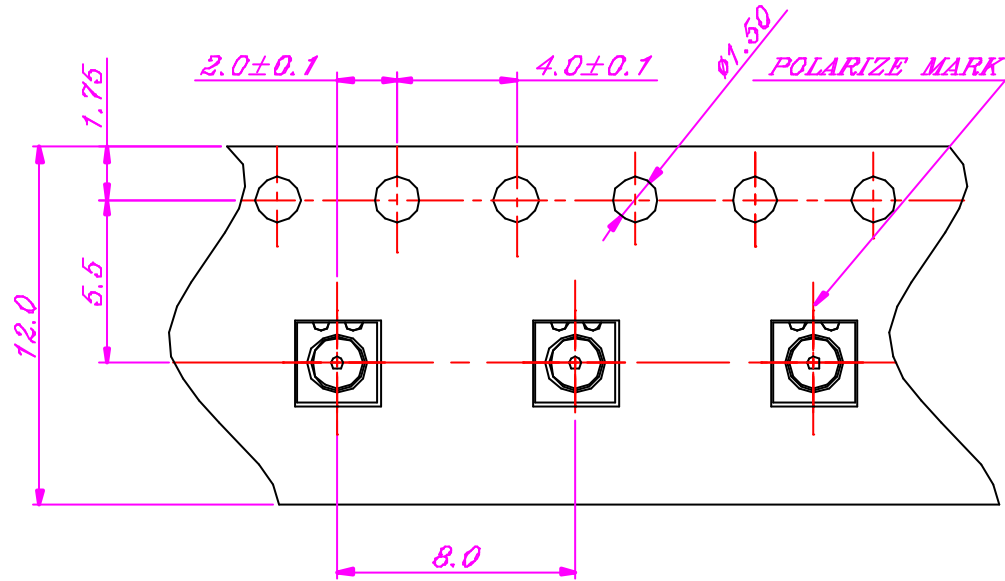
PROJECTION

TOLERANCES ARE

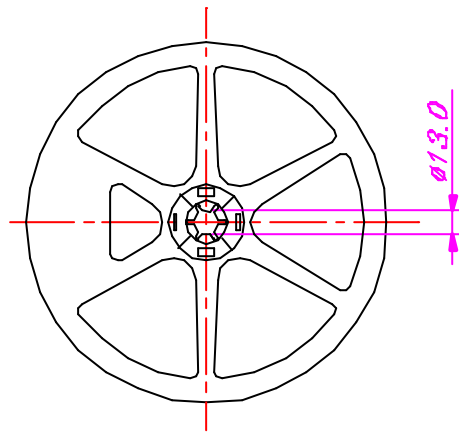
.X ± 0.2
 .XX ± 0.1
 .XXX ±
 AWG

DESCRIP TION:				
	AREA	REVISIONS	HK	DATE

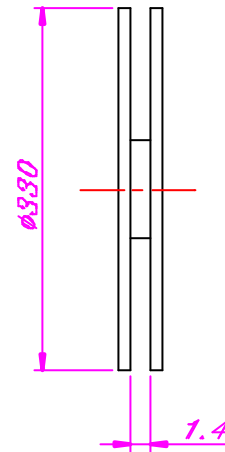
煜倫股份有限公司



DIMENSIONS OF TAPING



DIMENSIONS OF REEL (3000 PIECES/REEL)



M MORETHANALL
CONNECTORS
ASSEMBLIES

PART NO. MSH-JVR3K-50

DWG NO. MSH-JVR3K-50

CHECKED BY CY

TOLERANCES ARE

.X ± 0.2
.XX ± 0.1
.XXX ±
AWG

DESCRIPTION:

煜倫股份有限公司

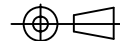
FILE NO.

DRAWING BY

UNIT / mm

SCALE 1:1

PROJECTION



AREA

REVISIONS

HK

DATE